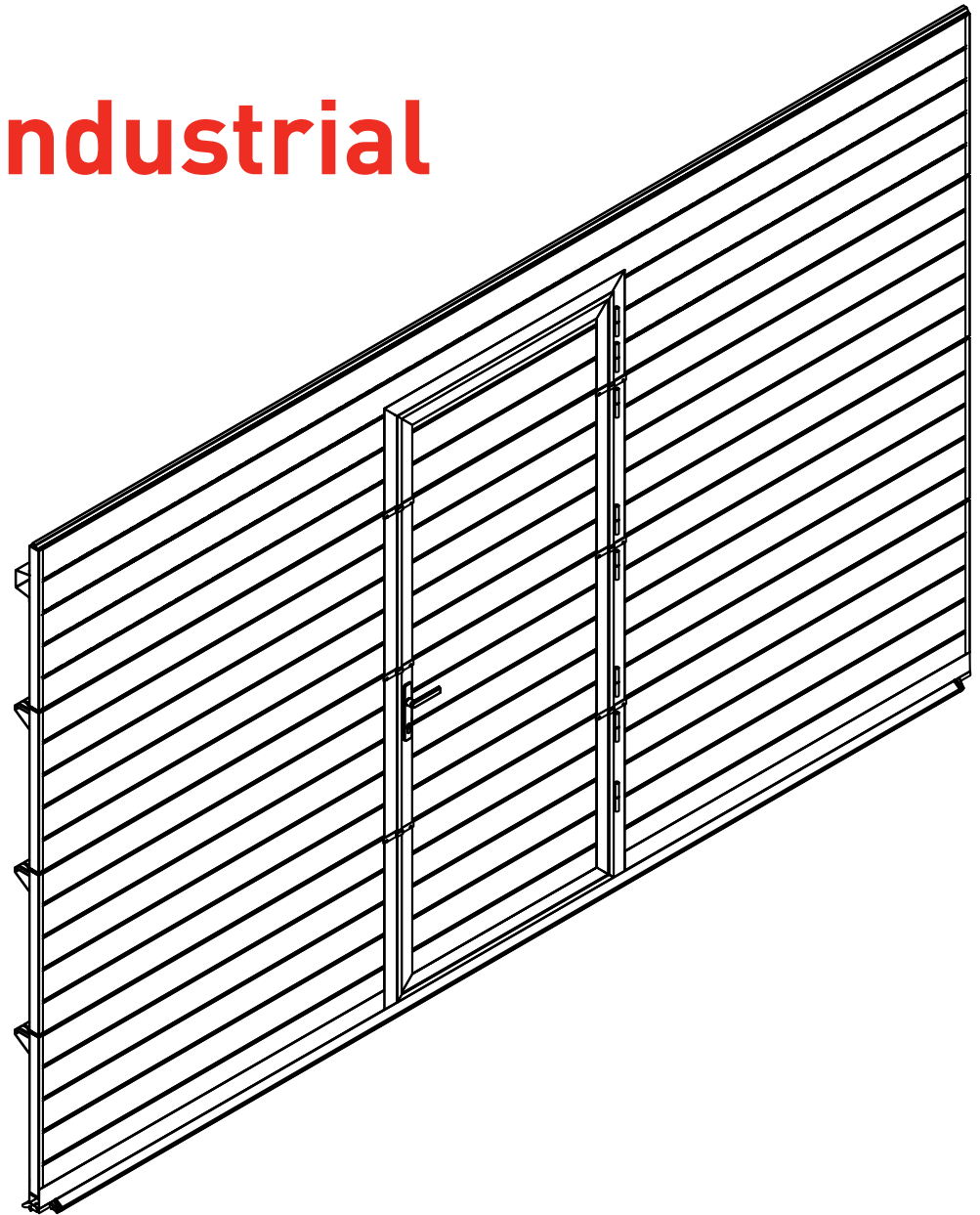


# **FF** Installation manual

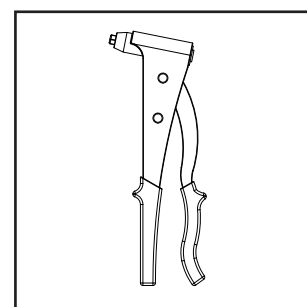
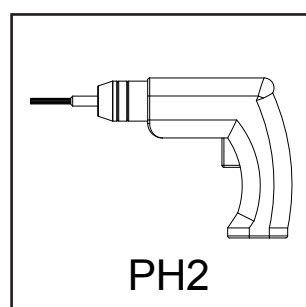
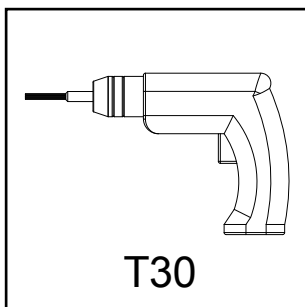
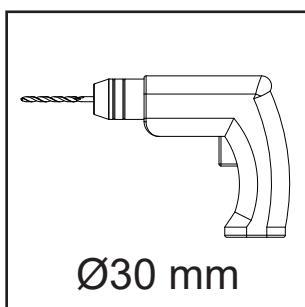
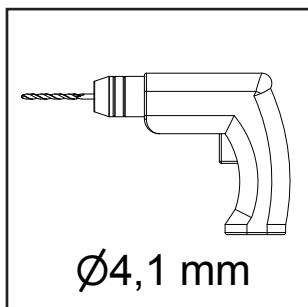
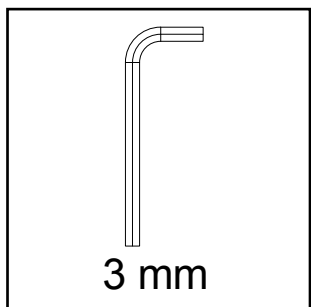
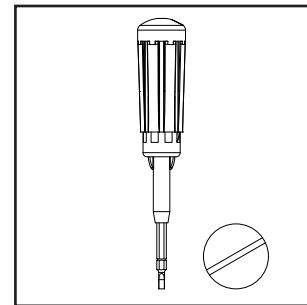
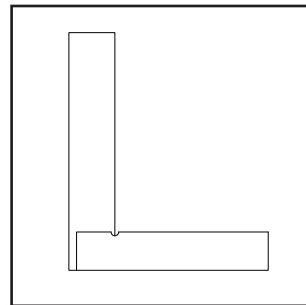
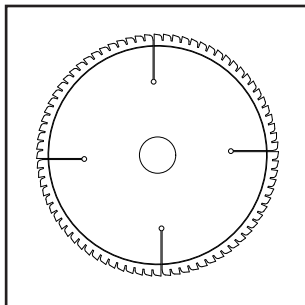
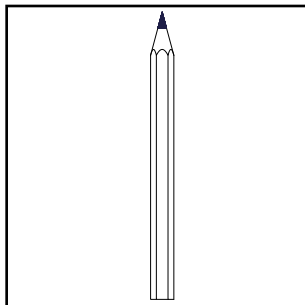
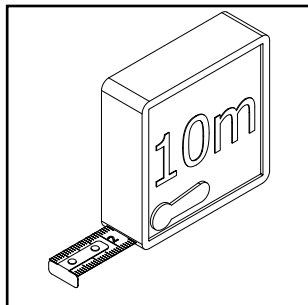
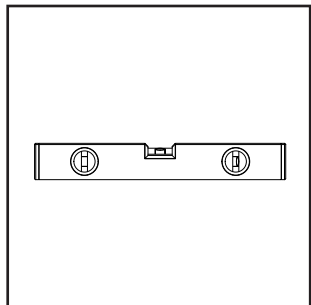
# **SolidStep** Industrial

**Low threshold**

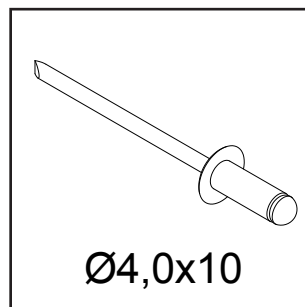
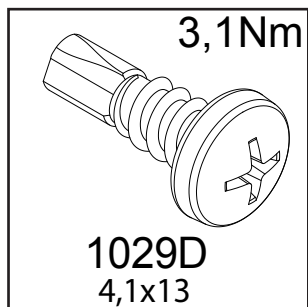
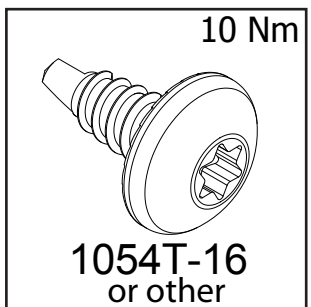
**40mm panels with  
multi point lock (MPL)**



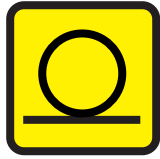
## Needed tools



## Needed fixing materials



## Used symbols



TANGENT - lines and/or surfaces are tangent with each other



PERPENDICULAR - lines and/or surfaces are at a 90° angle with each other



INLINE - lines and/or surfaces are in-line with each other



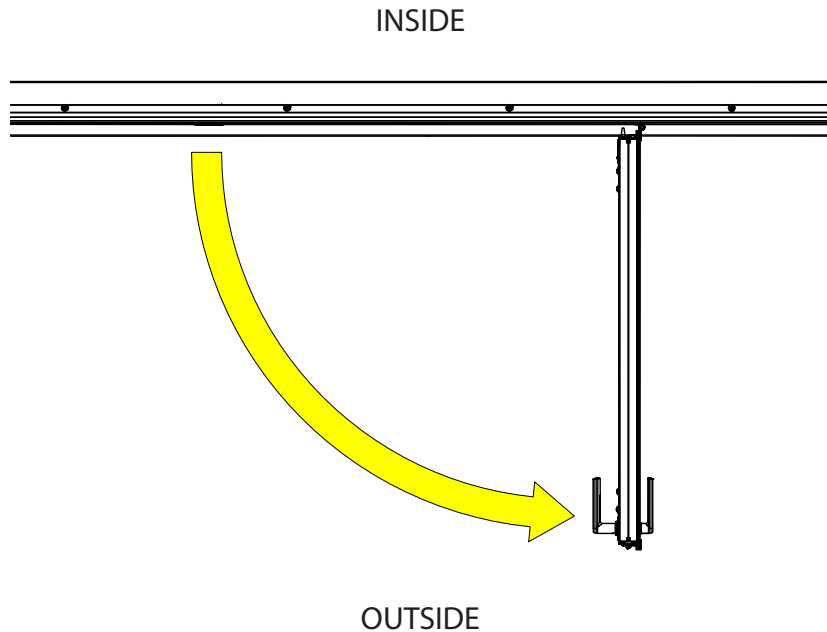
PARALLEL - lines and/or surfaces are parallel with each other



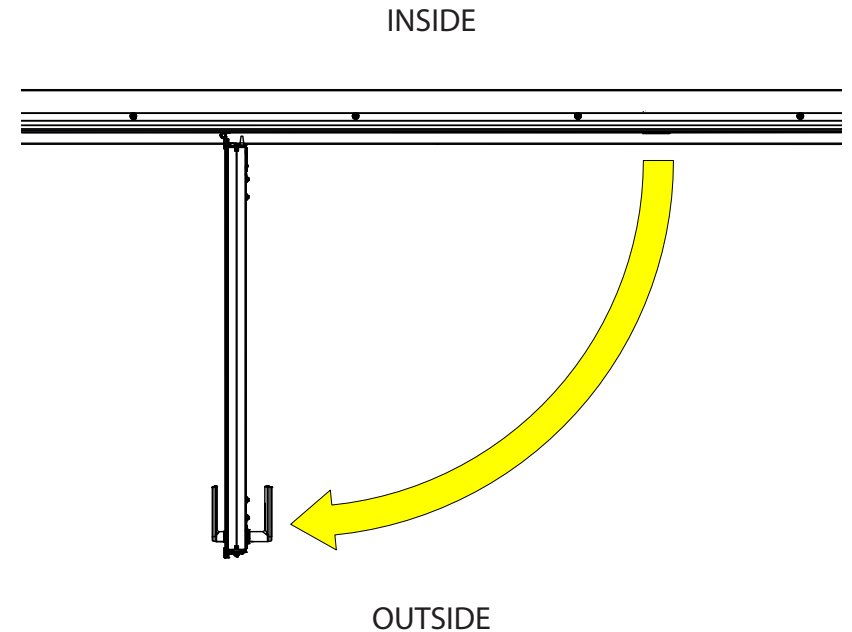
EQUAL - lines and/or surfaces are equal to each other

This manual is based on a MULTI POINT LOCK  
RIGHT HANDED DOOR!  
(width 905 mm)

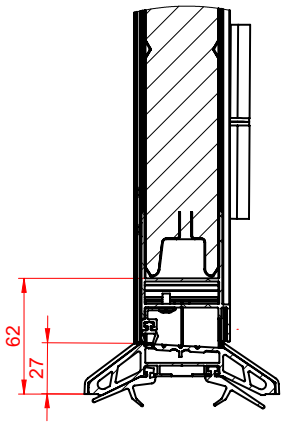
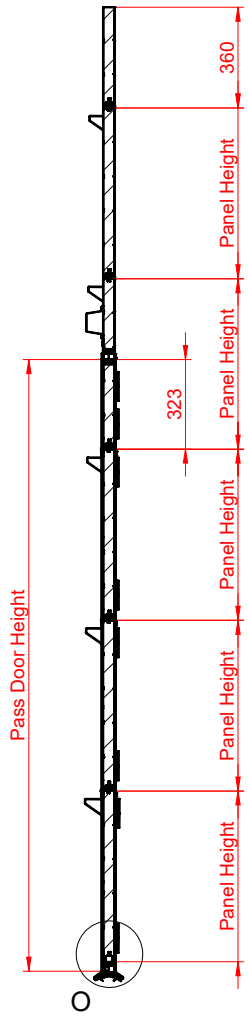
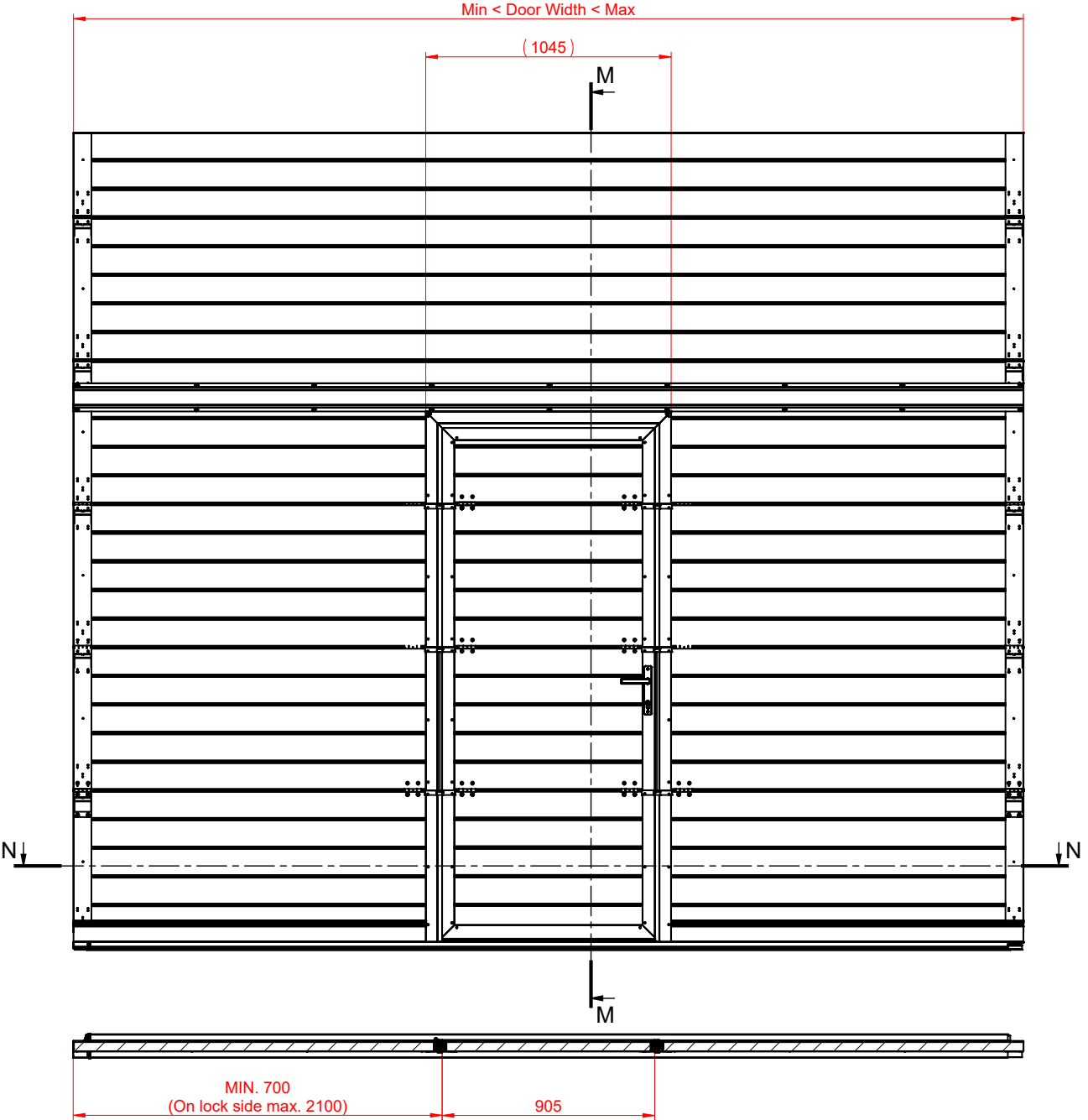
RIGHT HANDED DOOR

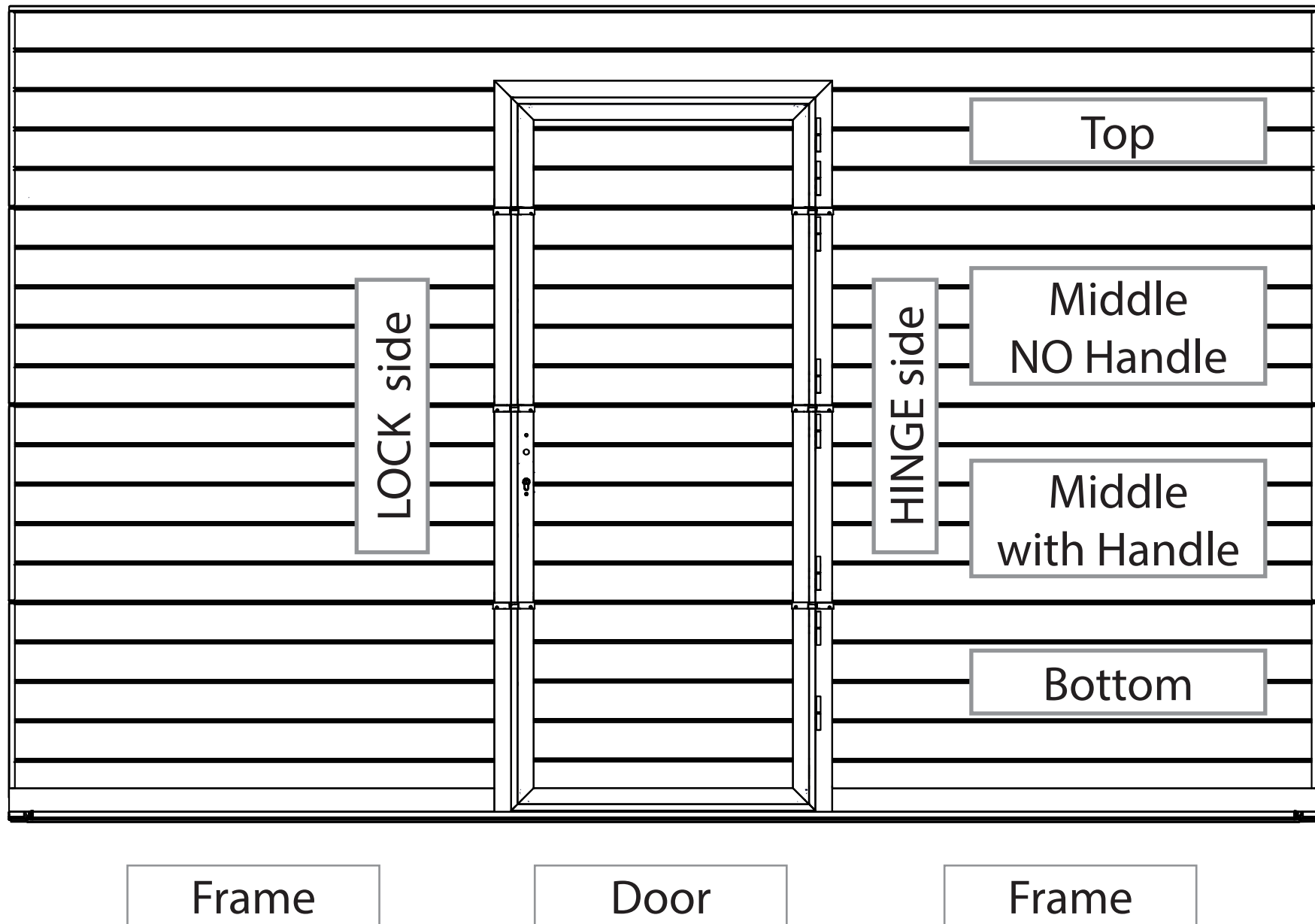


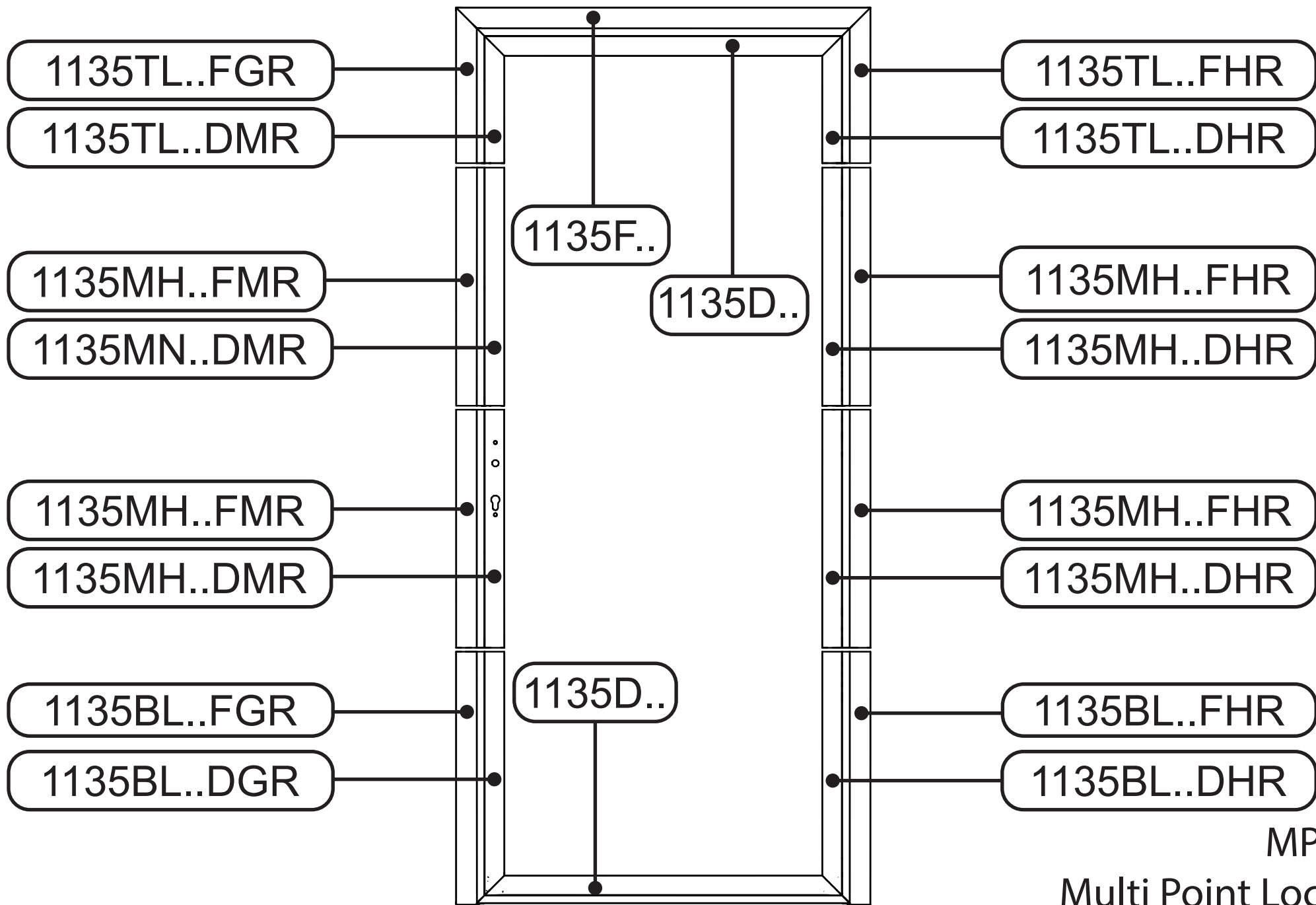
LEFT HANDED DOOR



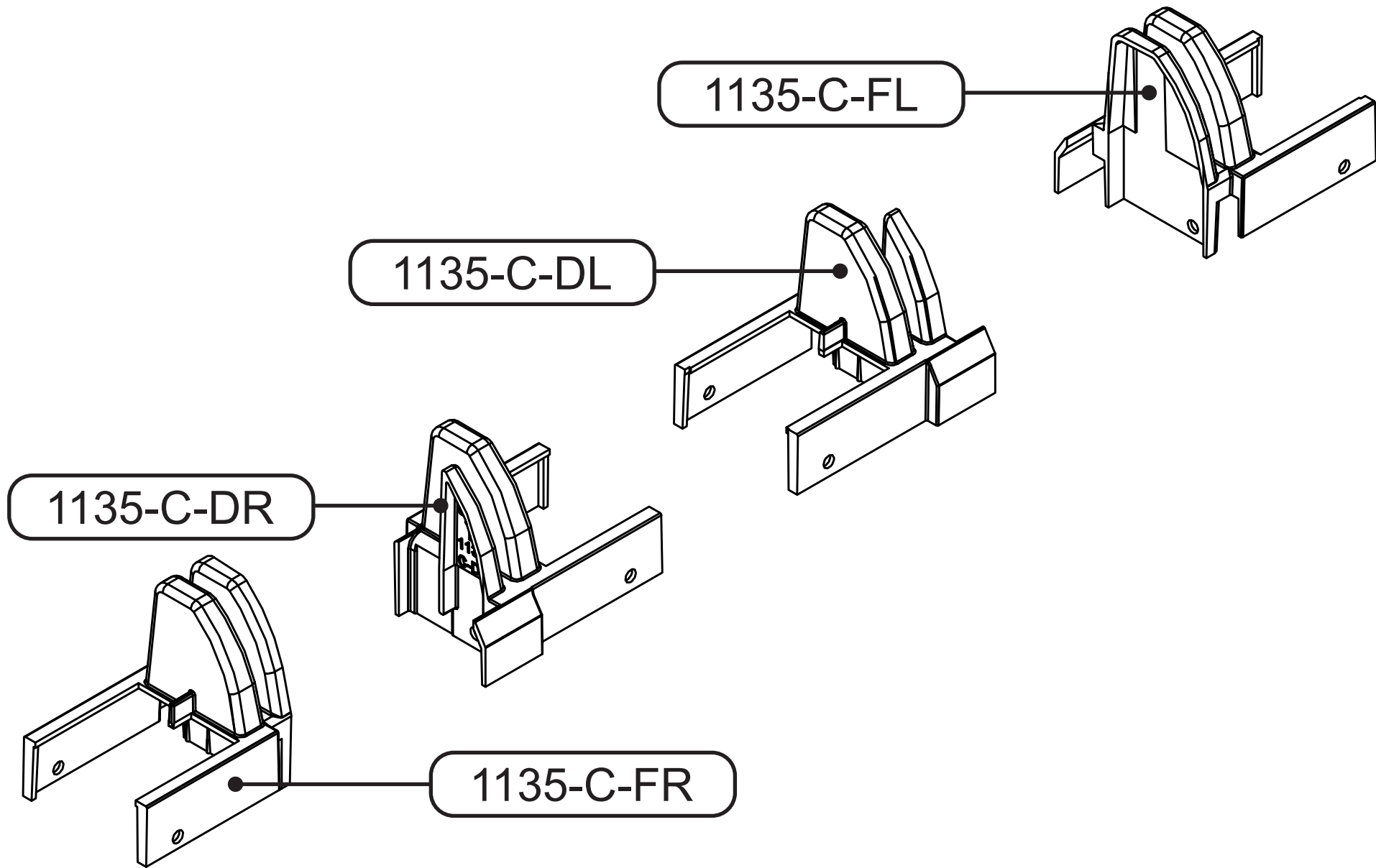
# System dimensions





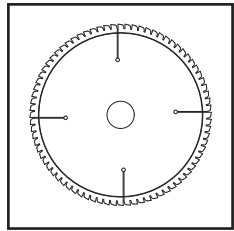


MPL  
Multi Point Lock



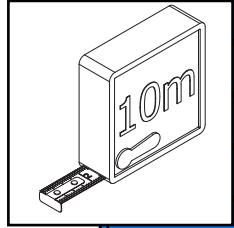


# Sawing instructions

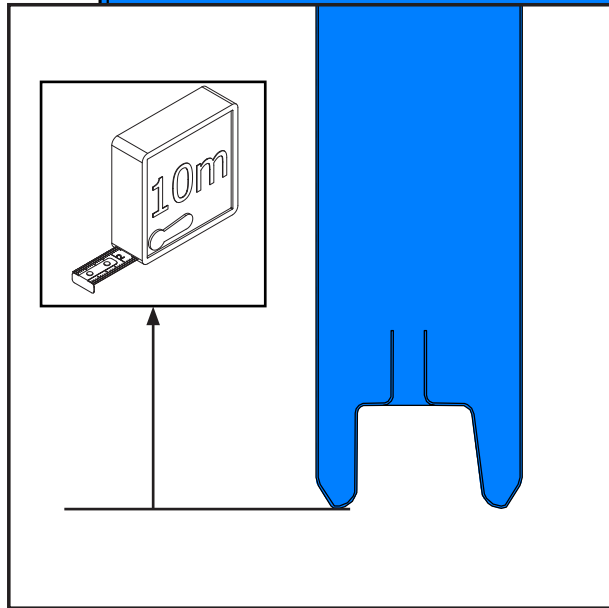


977 <sup>+1</sup><sub>0</sub>

869 <sup>0</sup><sub>-1</sub>



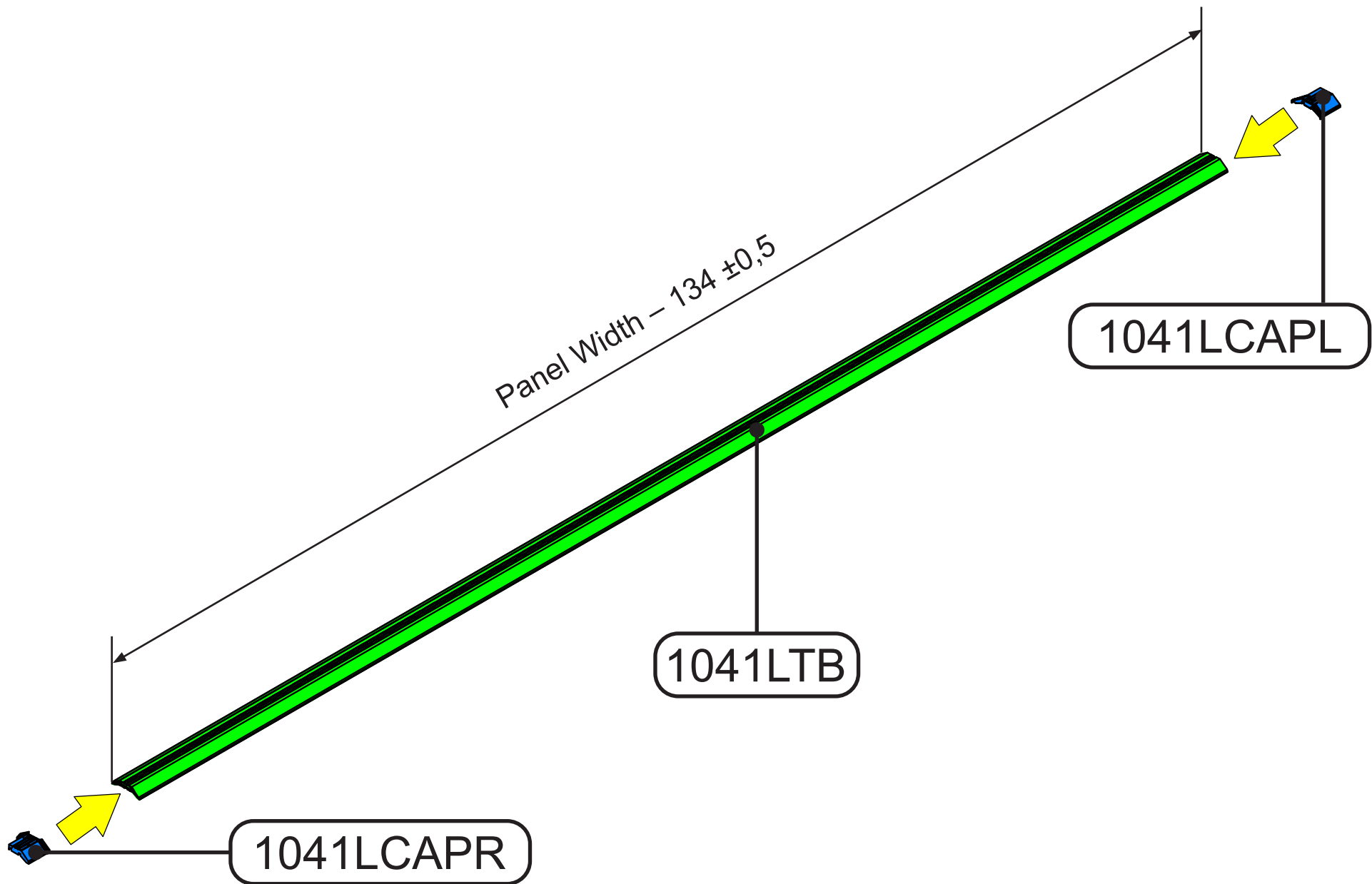
302  
357



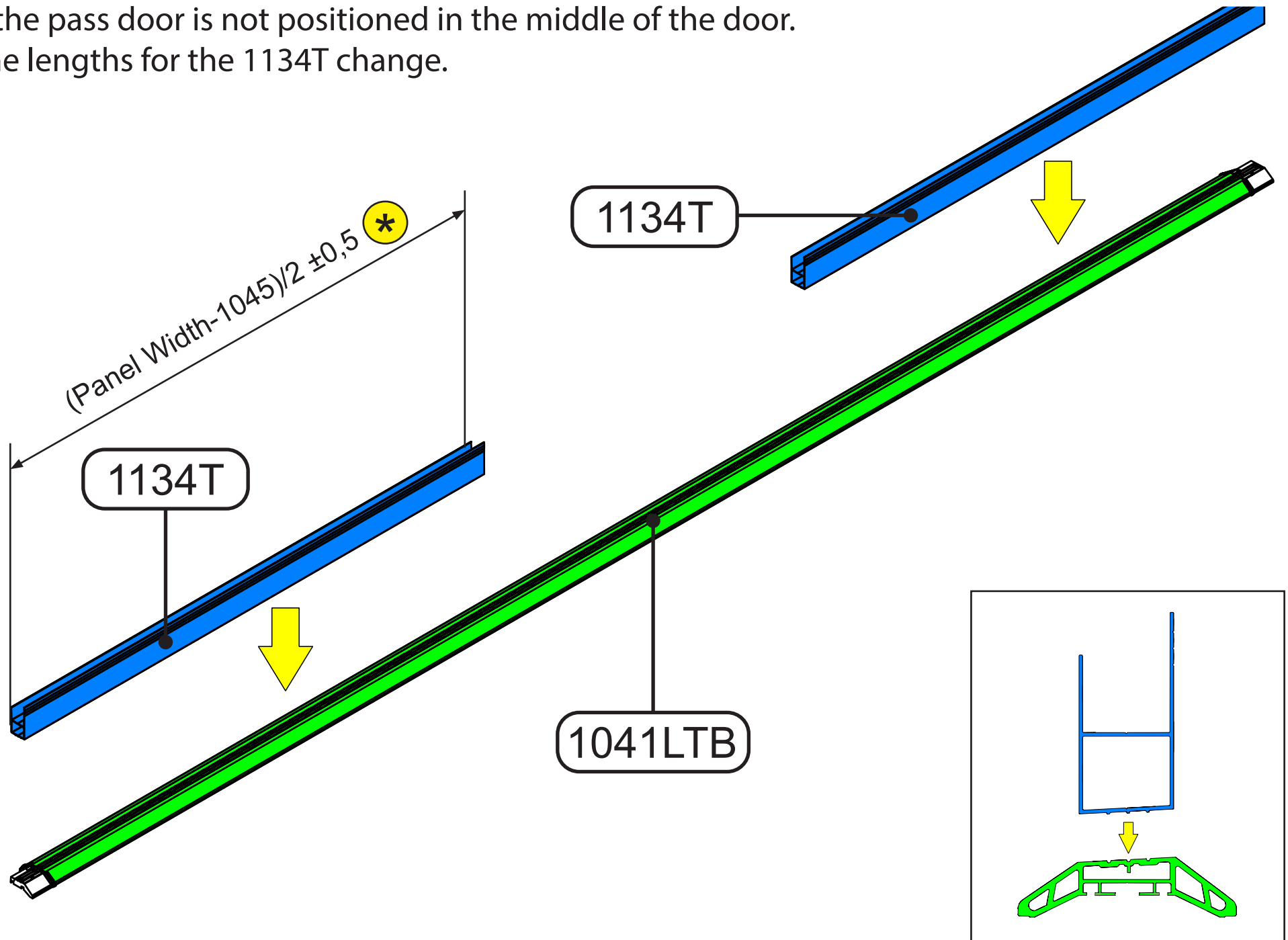
# **FF** Installation manual

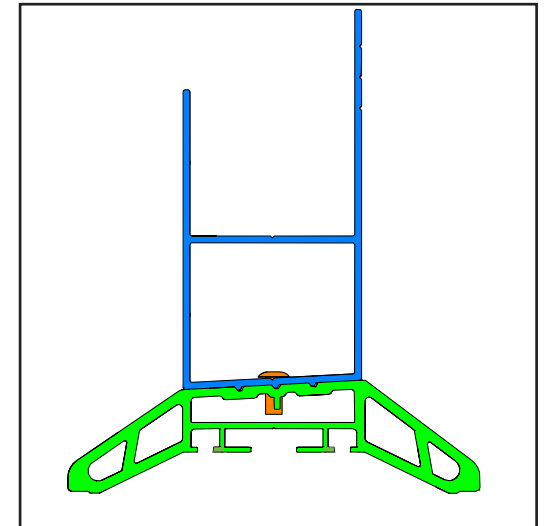
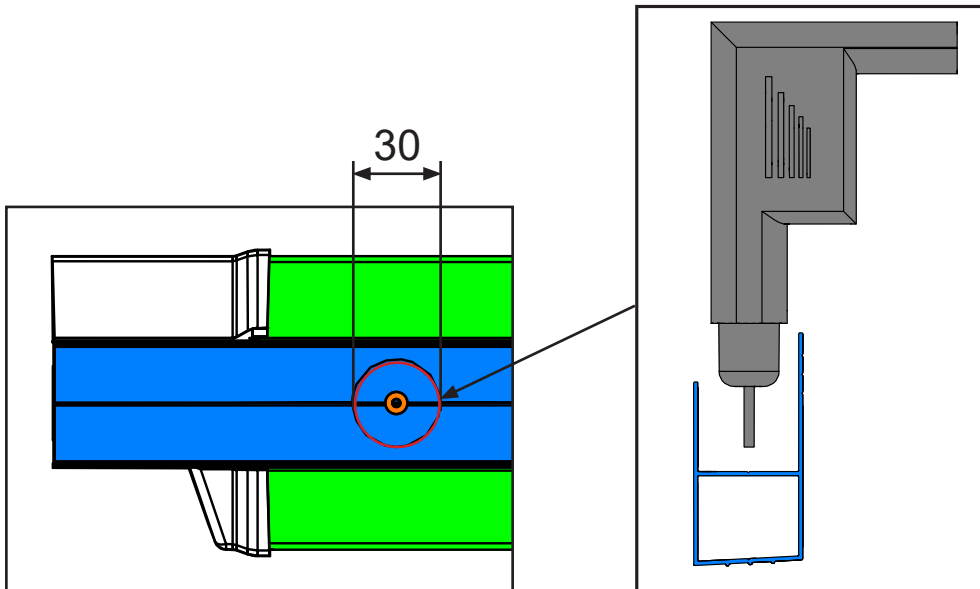
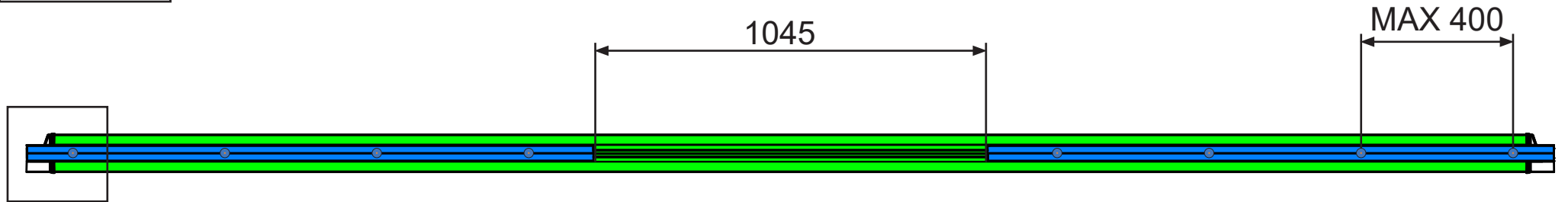
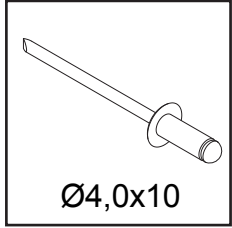
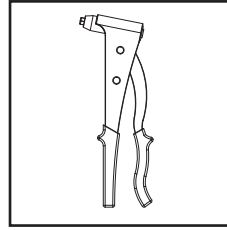
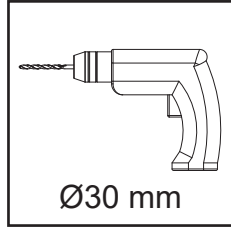
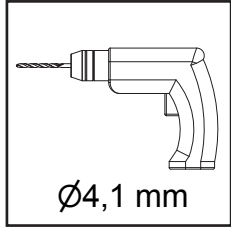
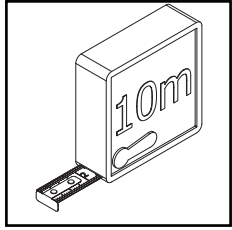
## **Frame bottom section** assembly instructions

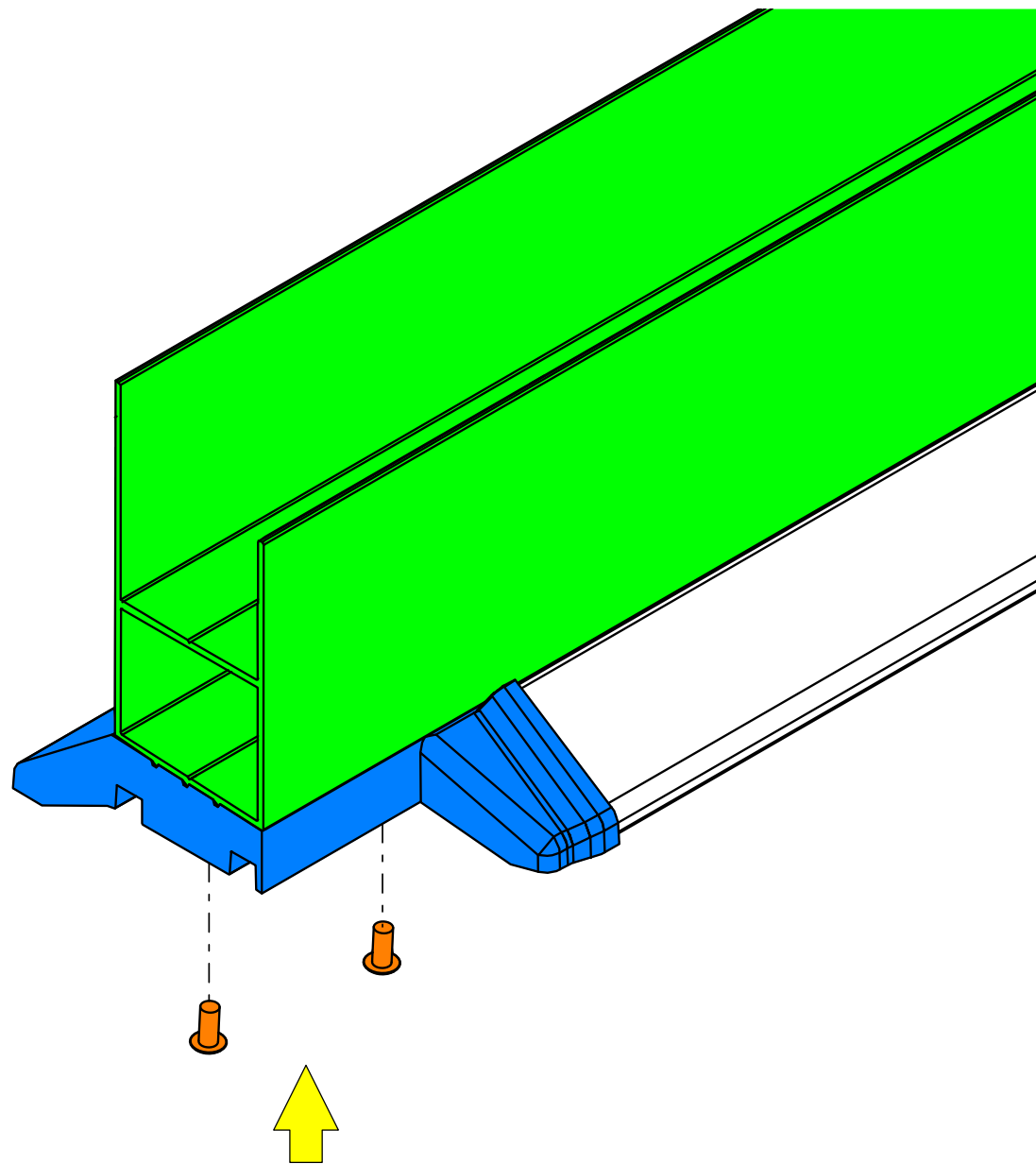
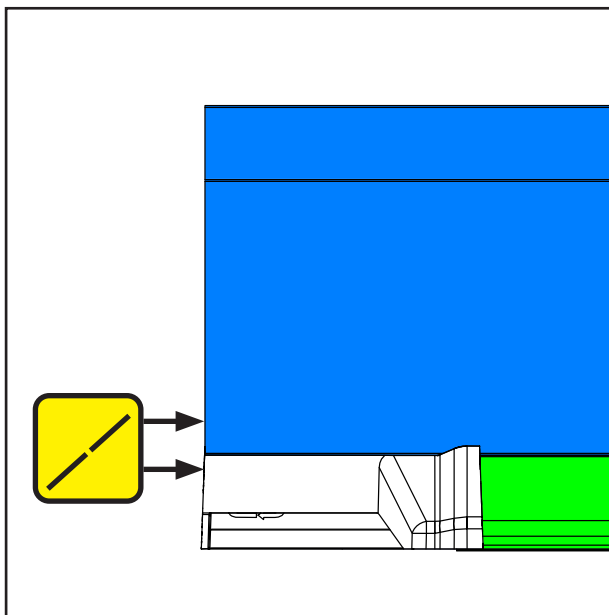
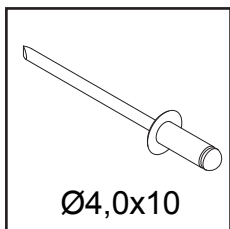
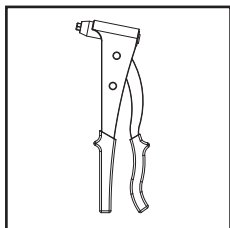
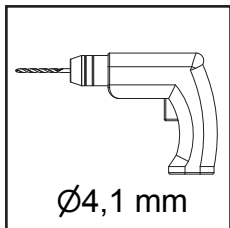


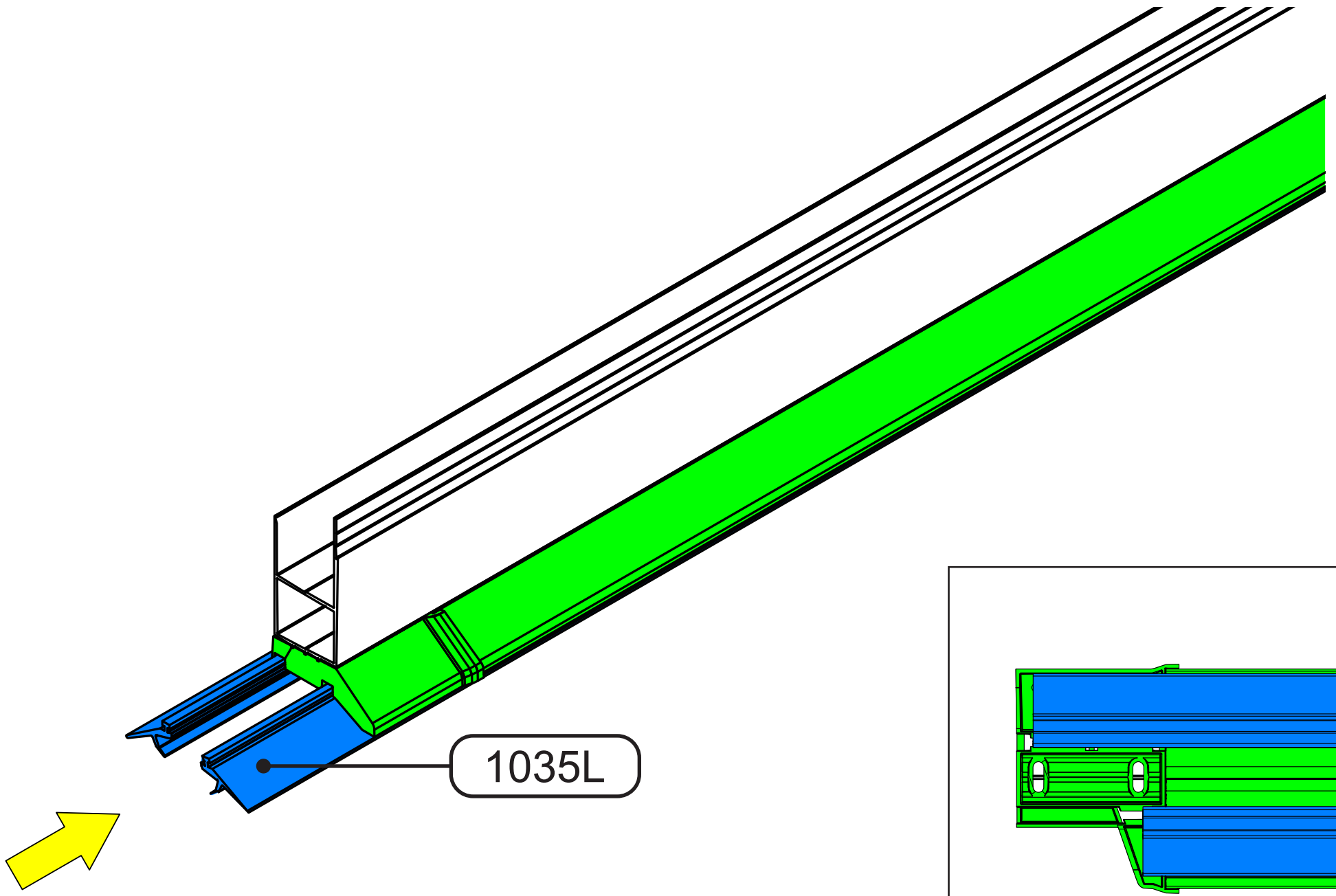


- \* If the pass door is not positioned in the middle of the door.  
The lengths for the 1134T change.

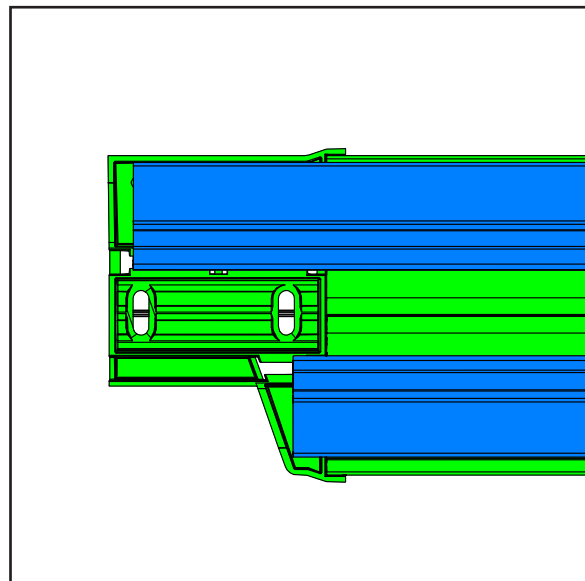


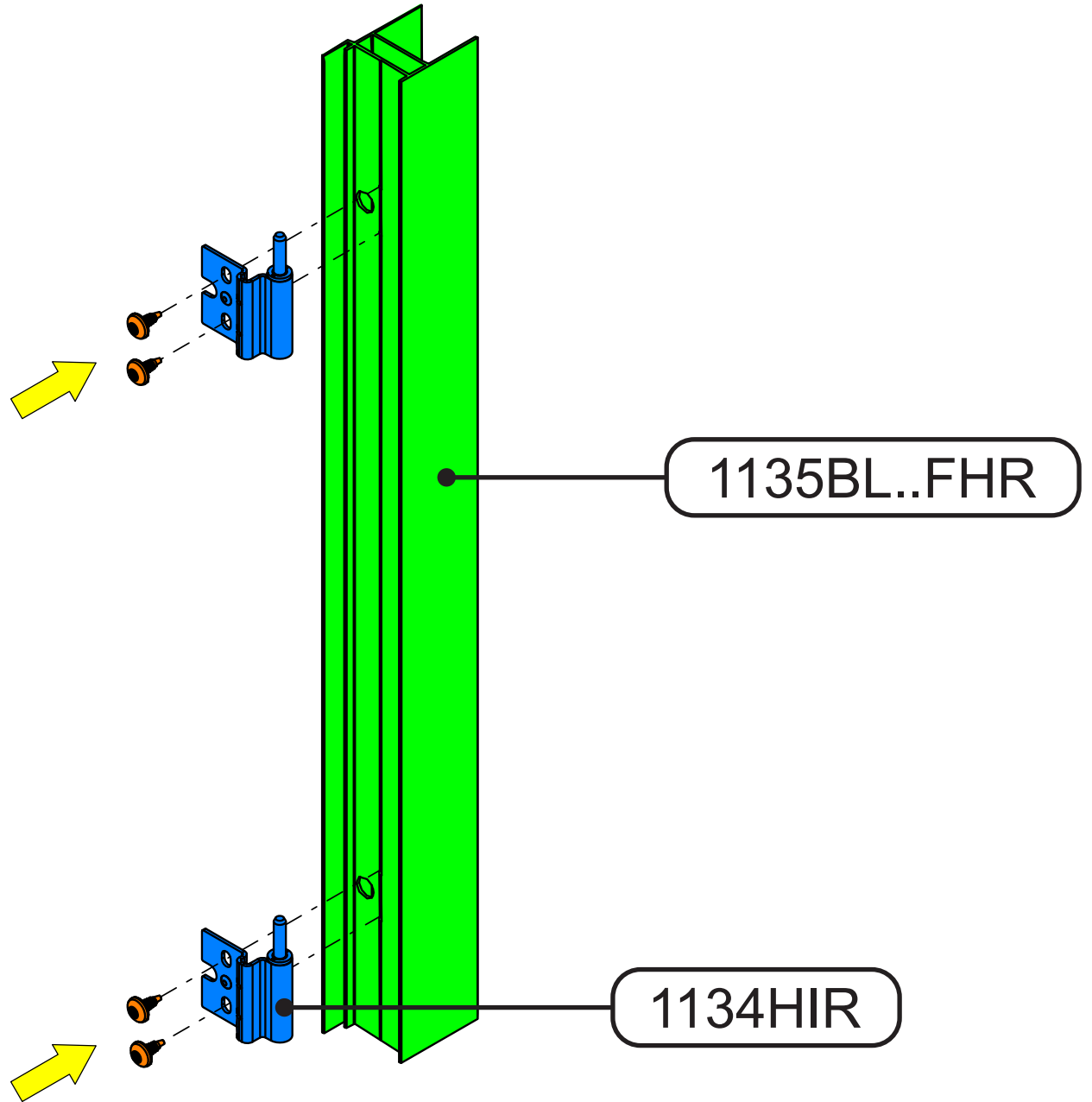
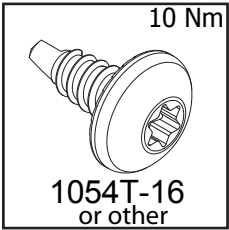
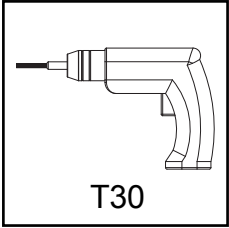




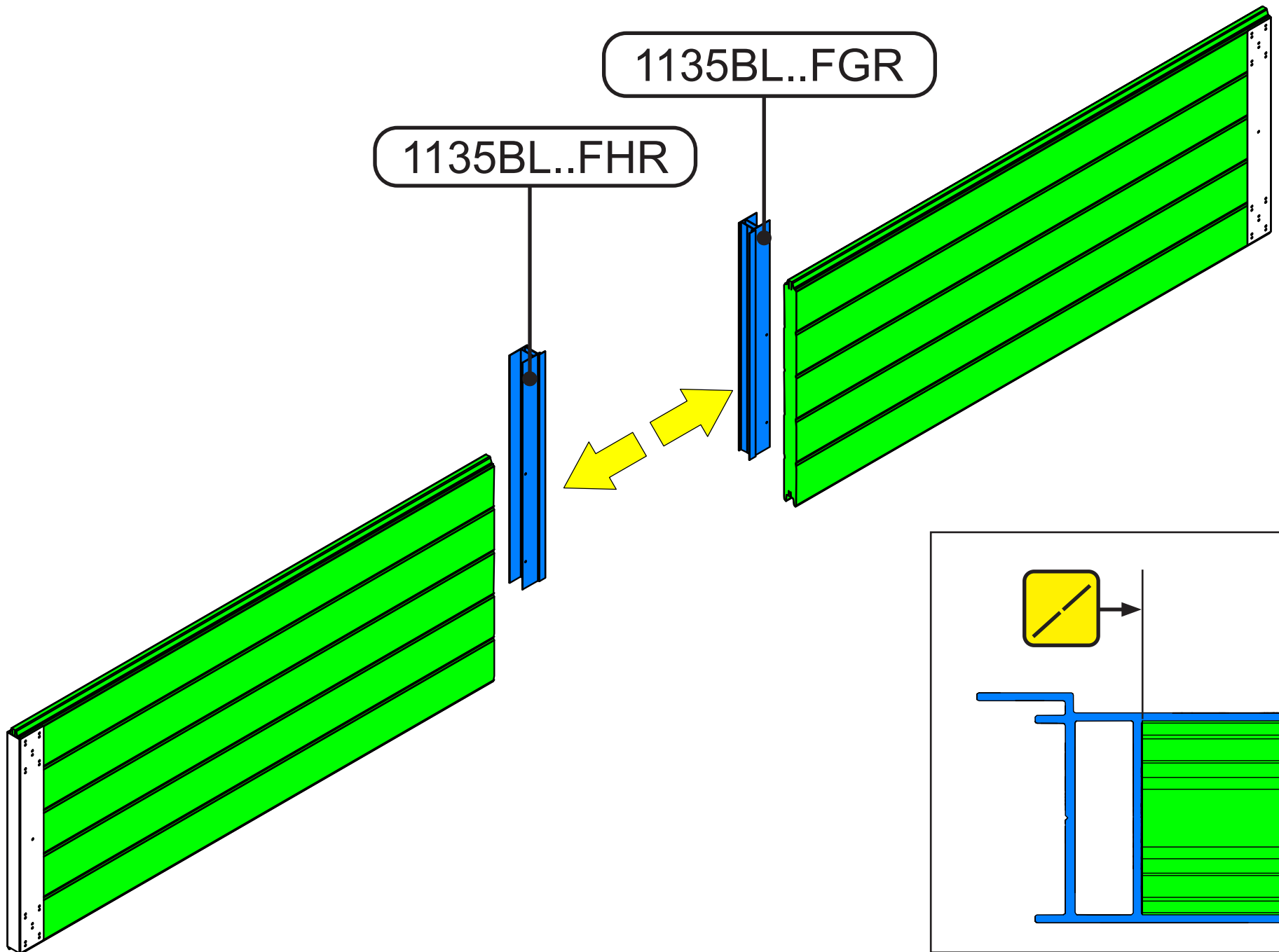


1035L

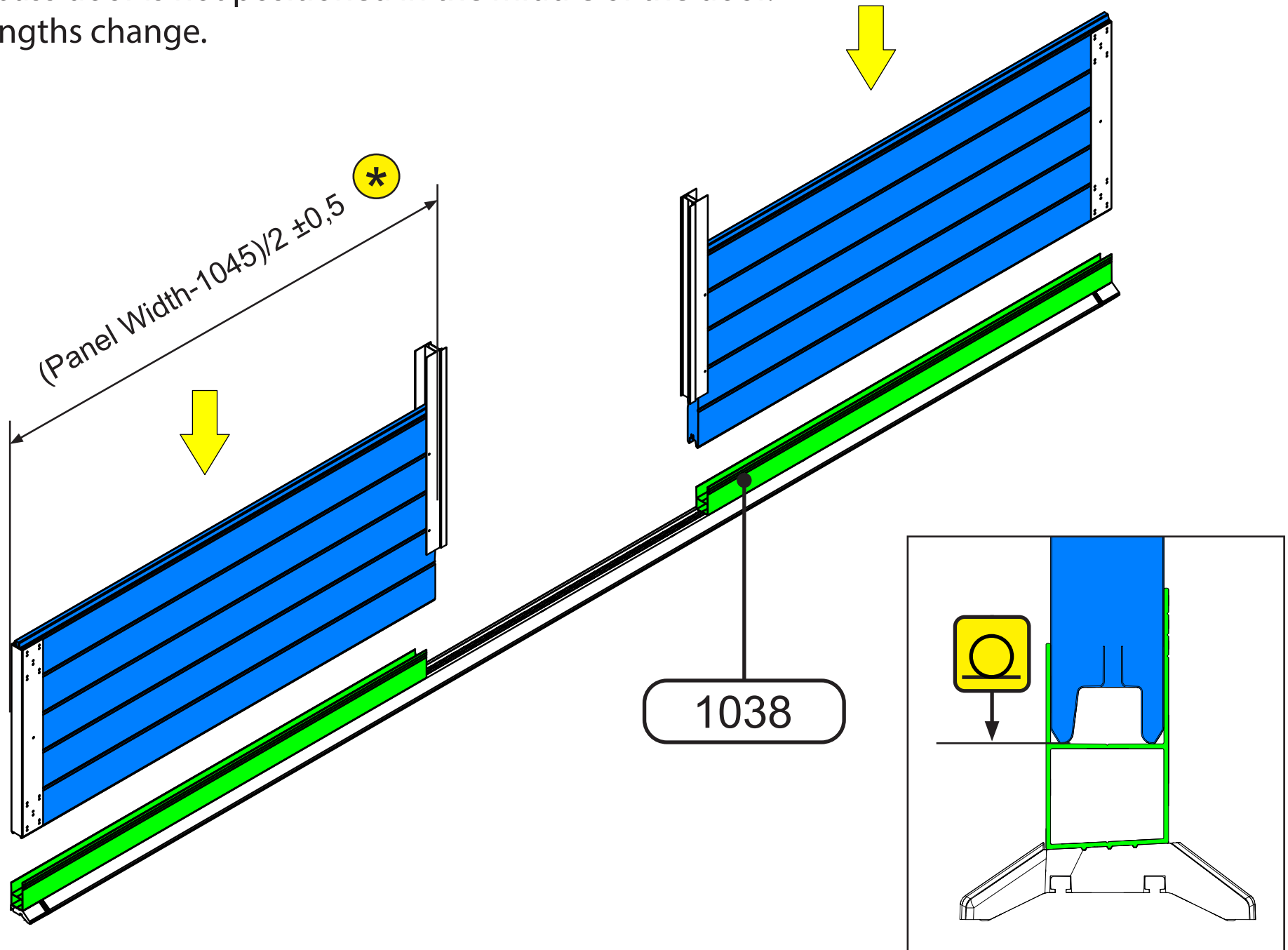


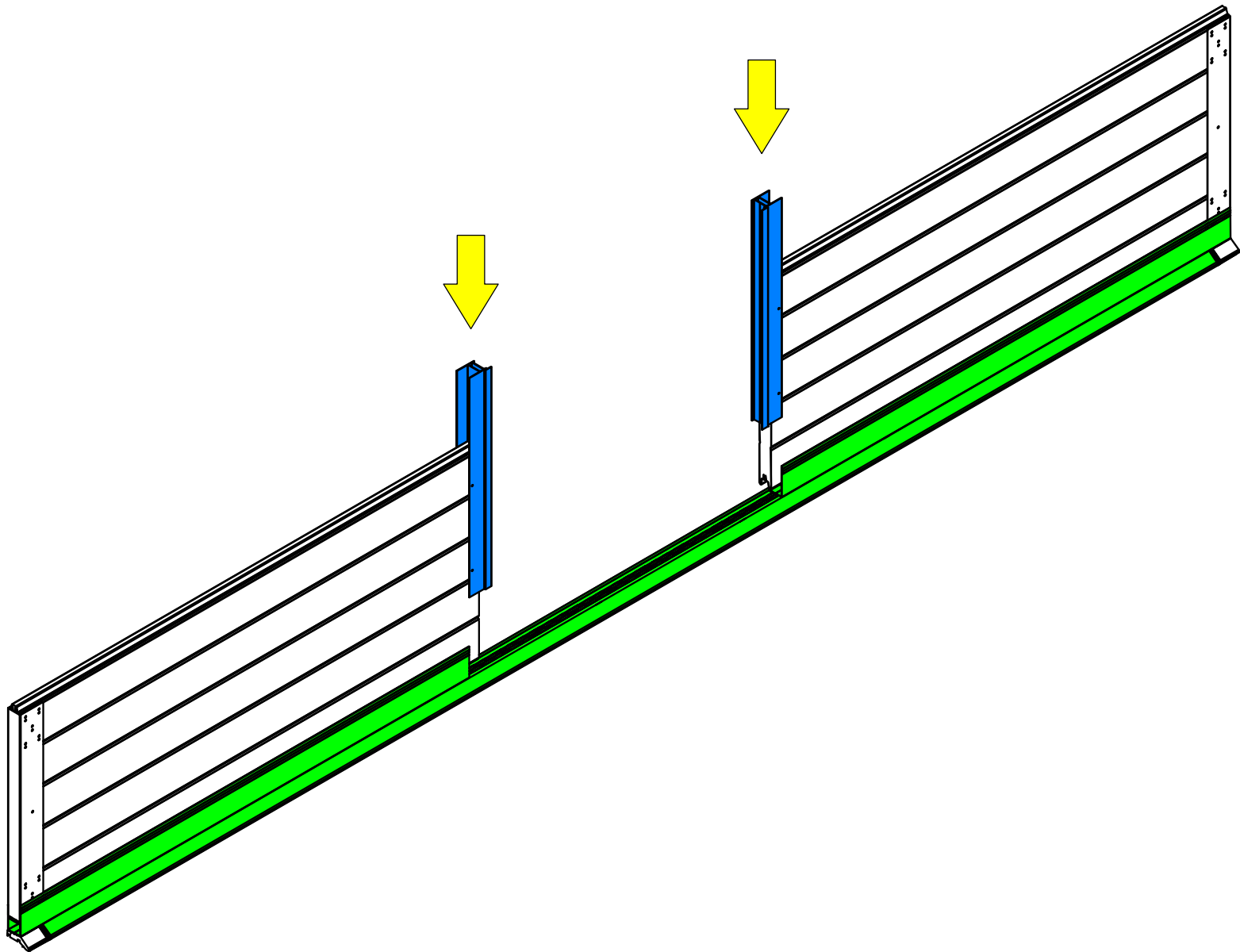


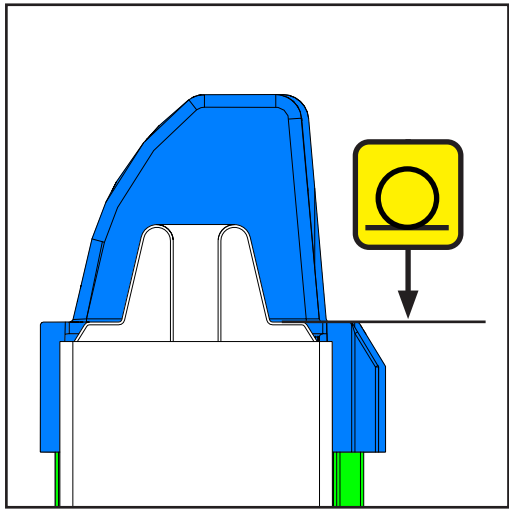




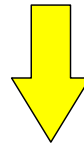
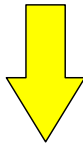
- \* If the pass door is not positioned in the middle of the door.  
The lengths change.



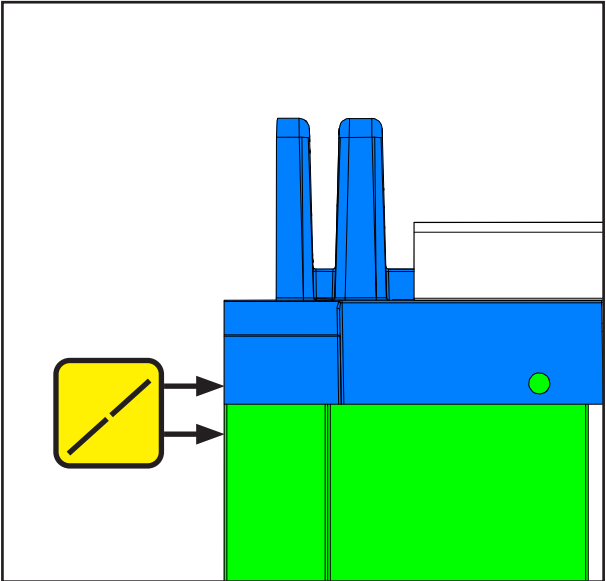
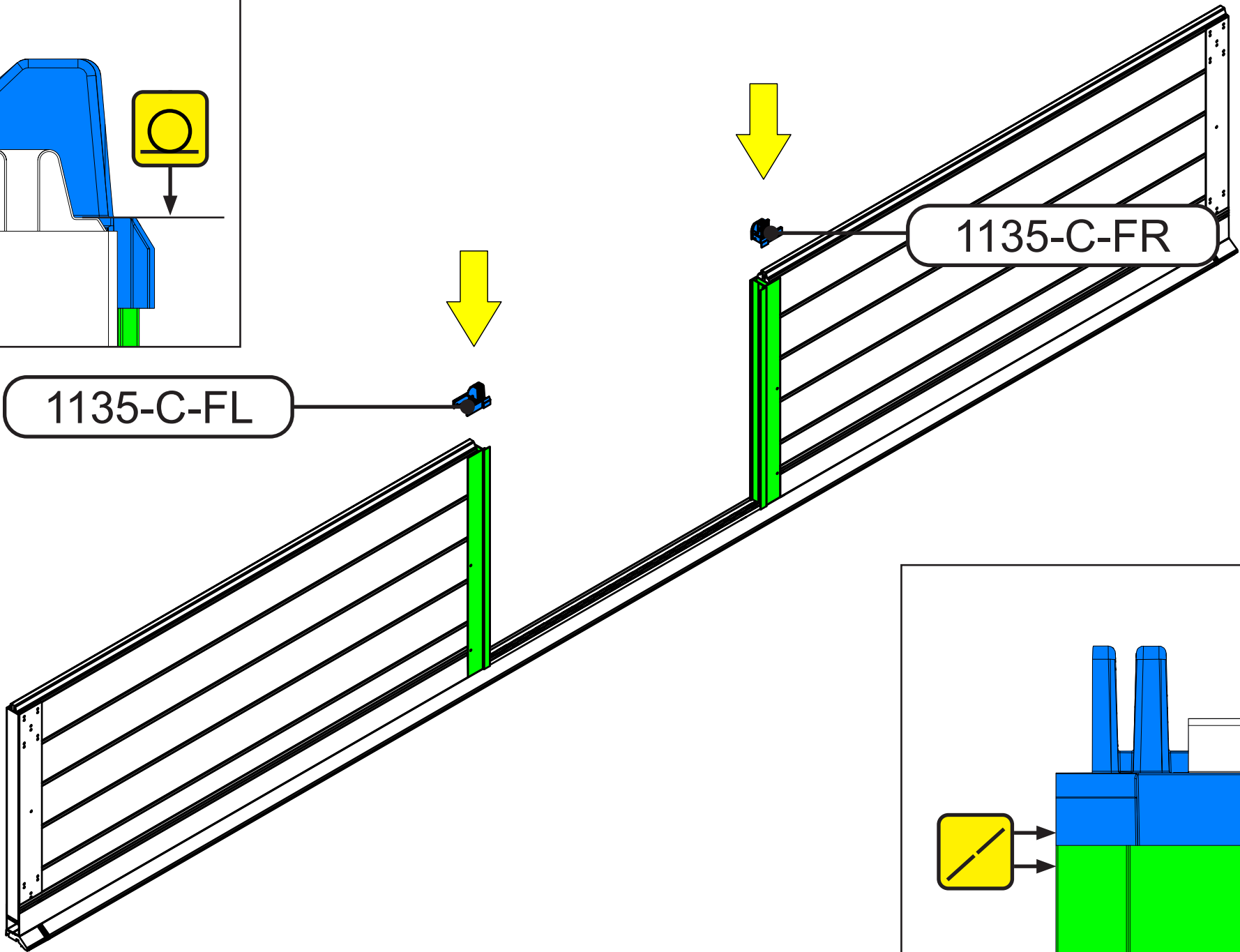


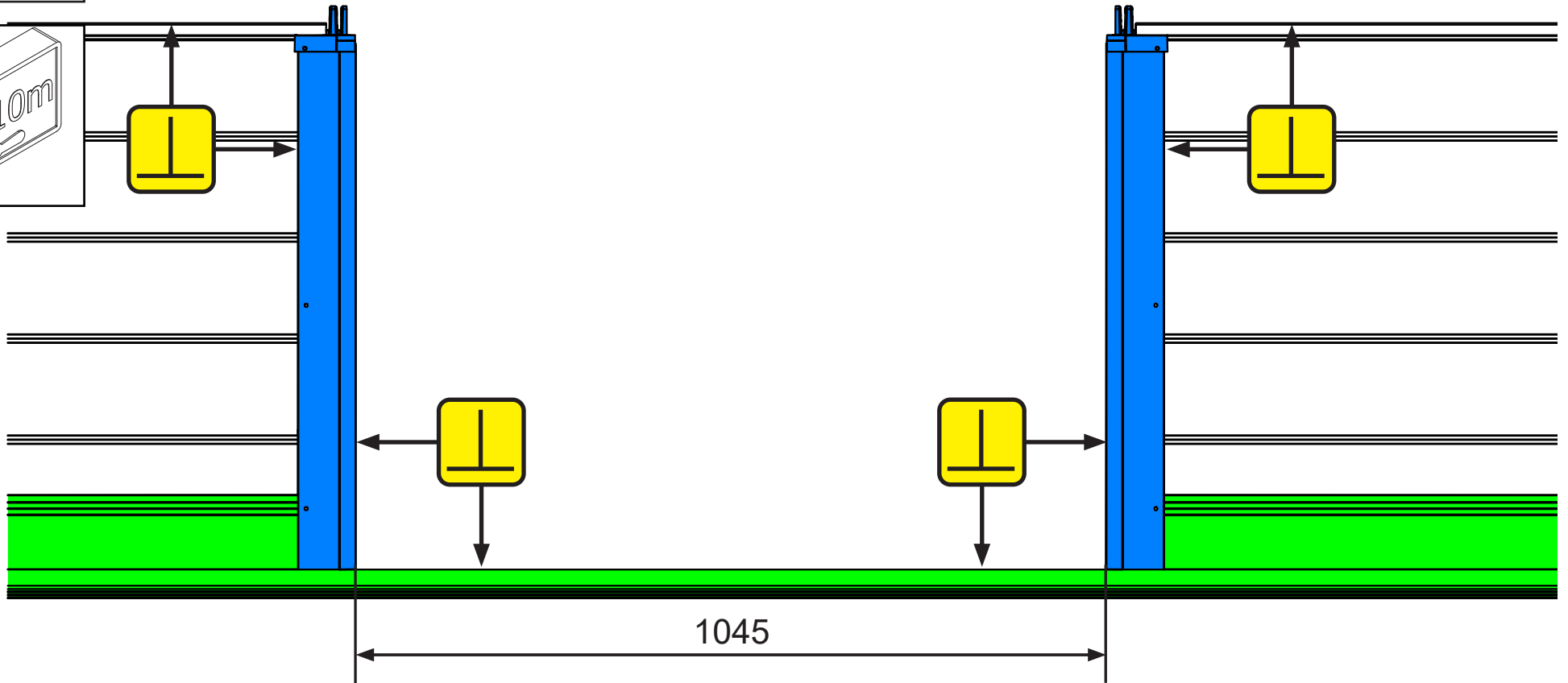
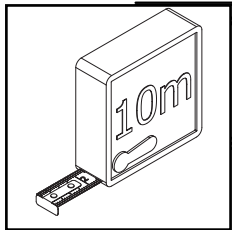
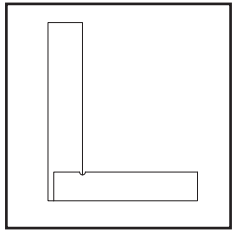
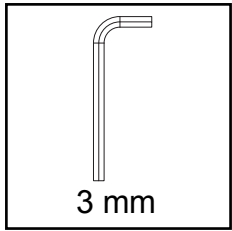


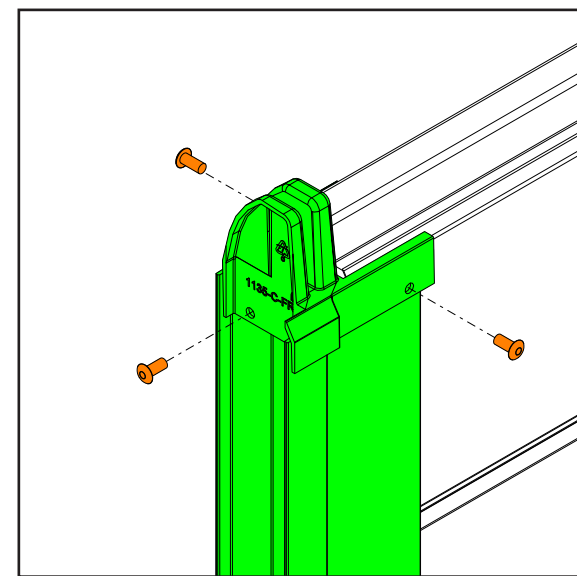
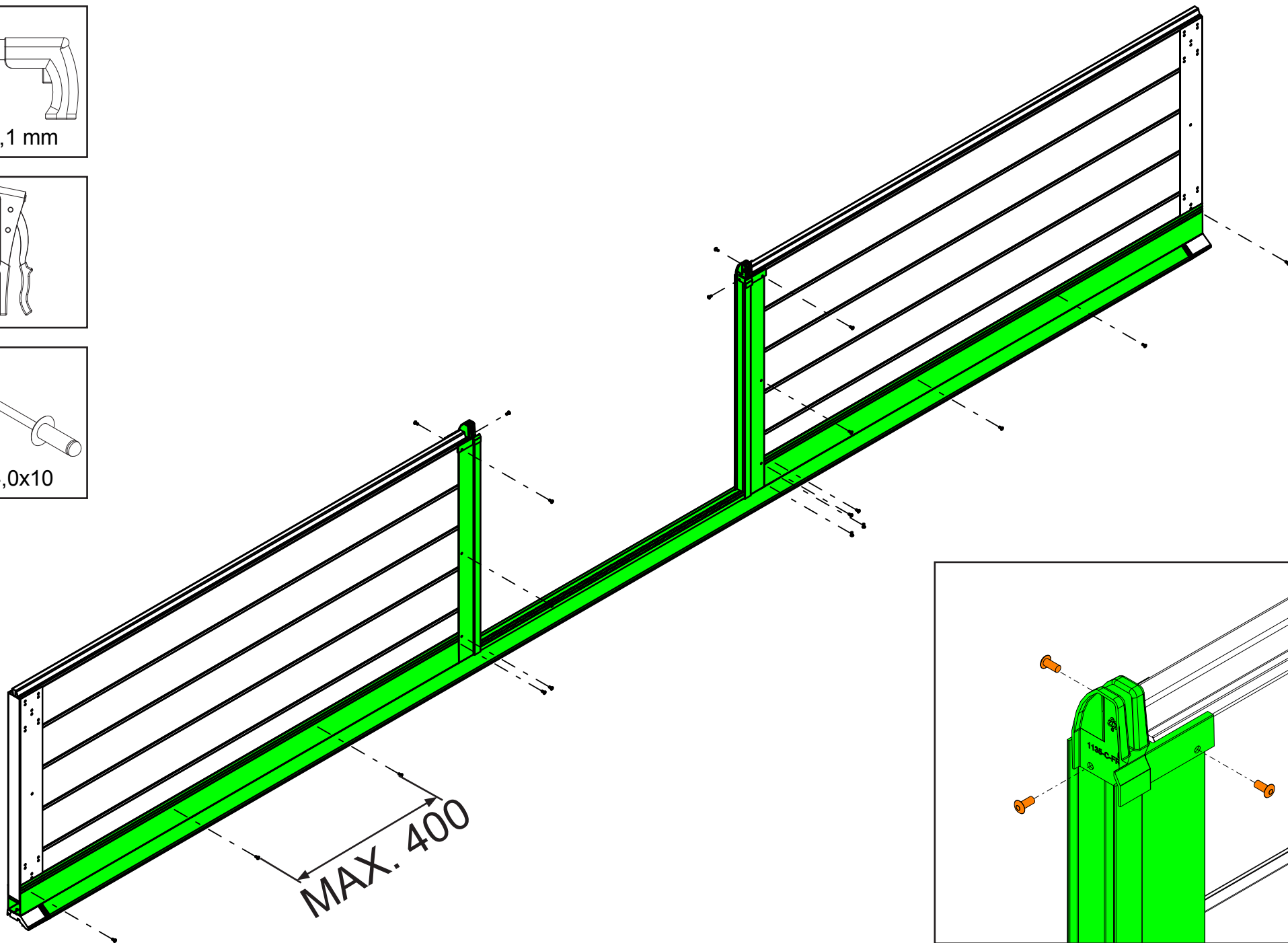
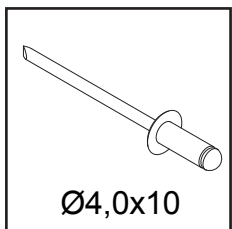
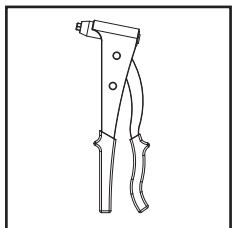
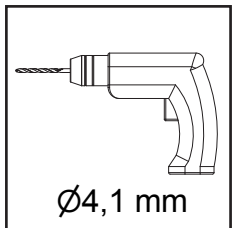
1135-C-FL

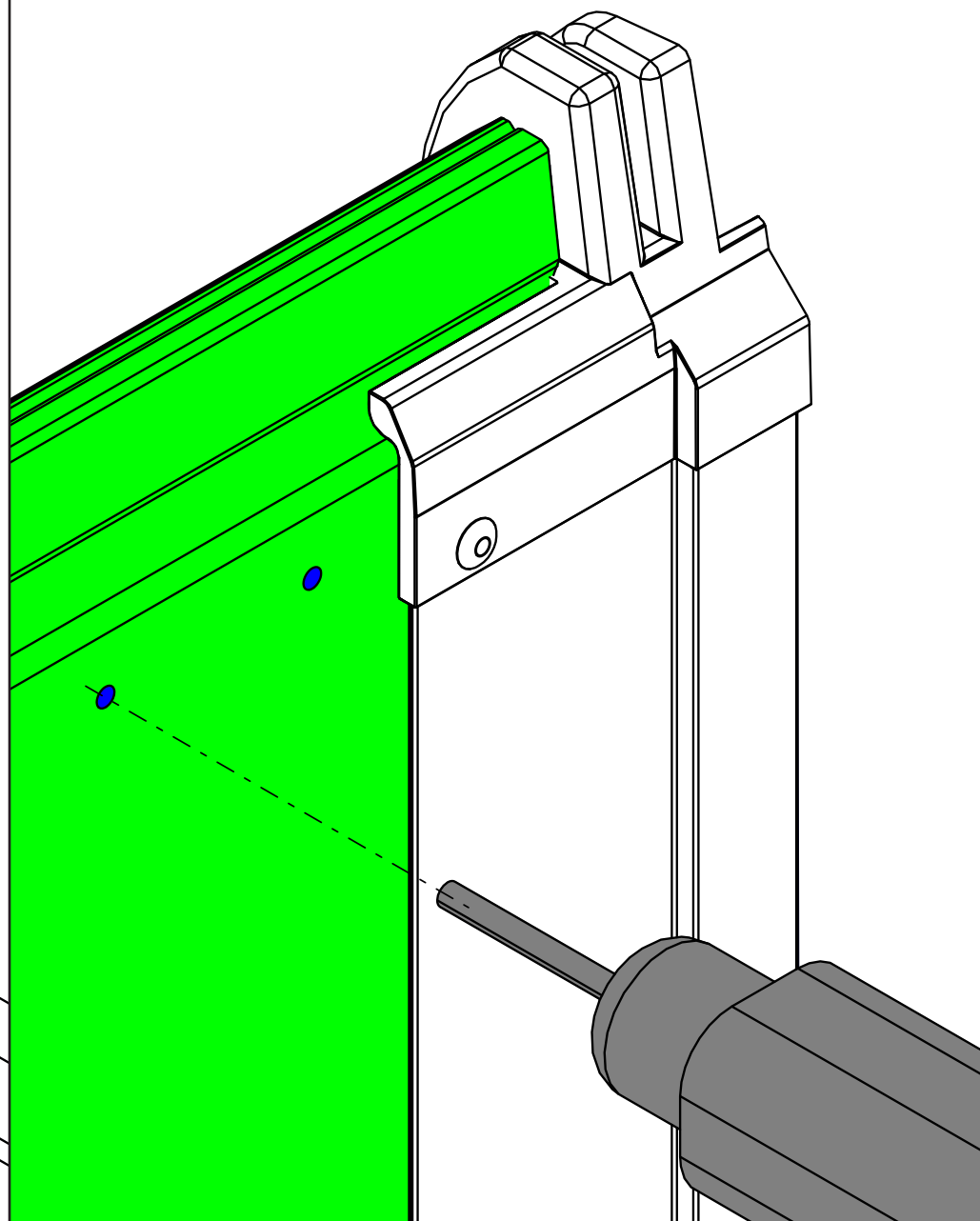
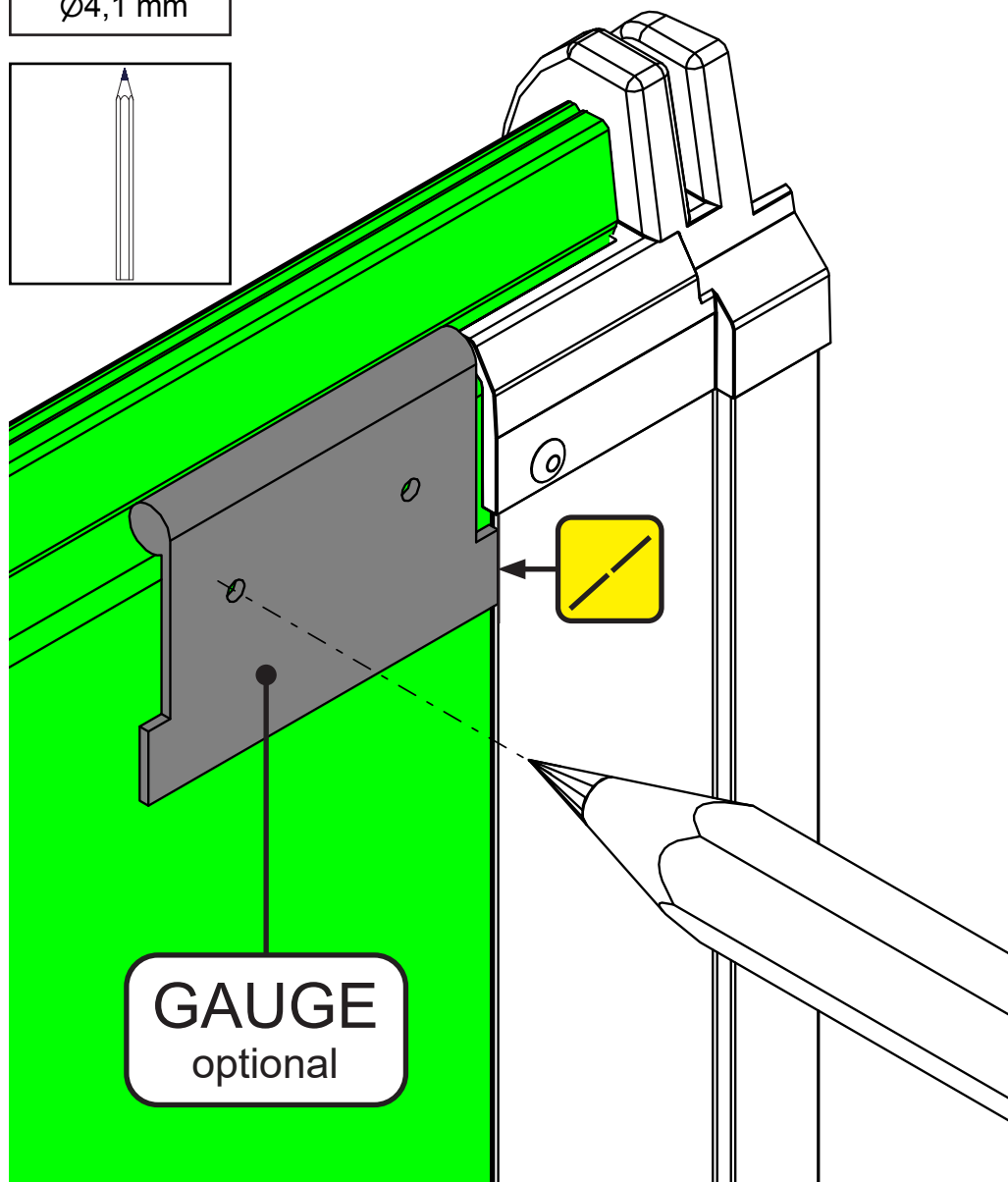
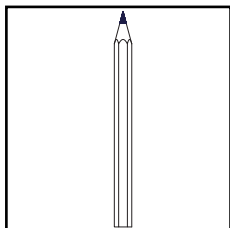
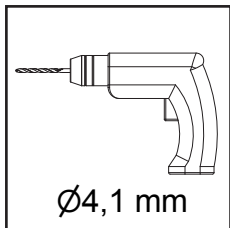


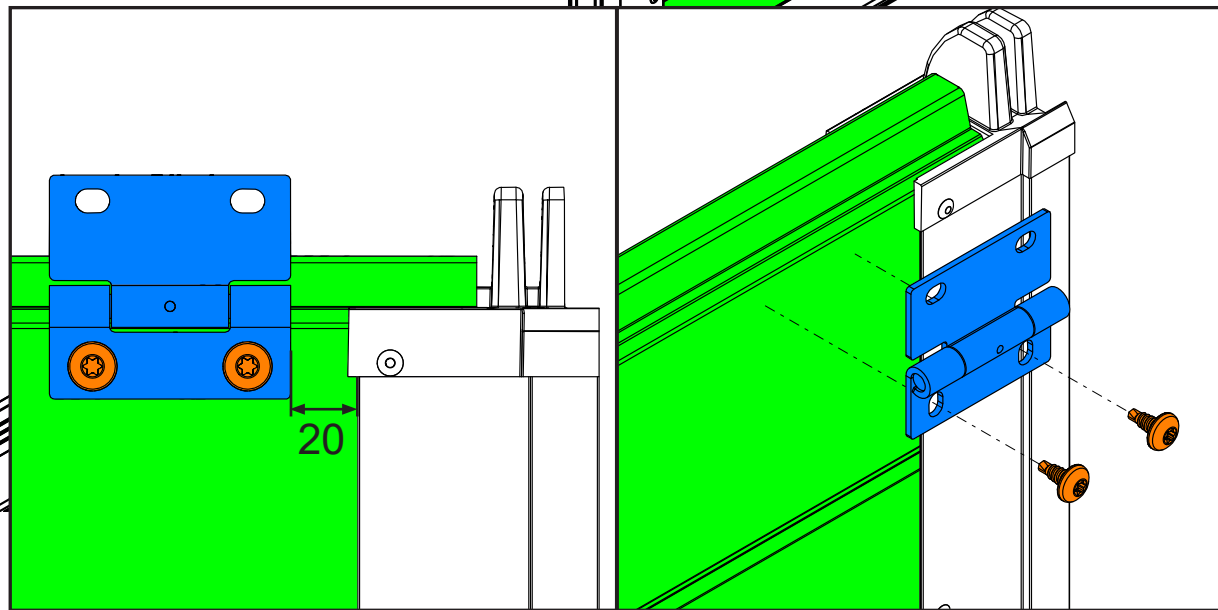
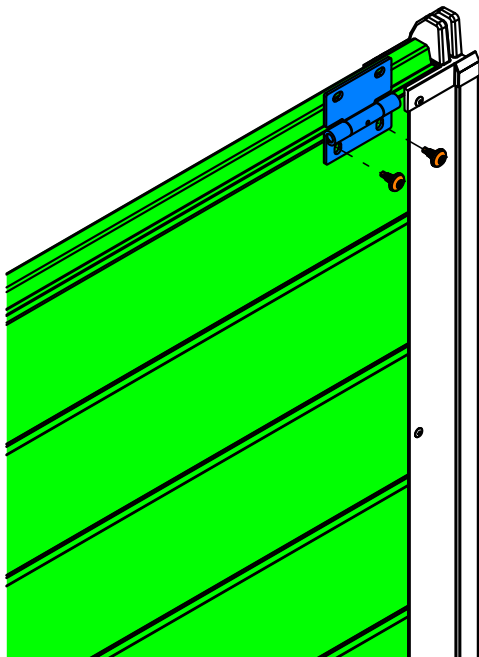
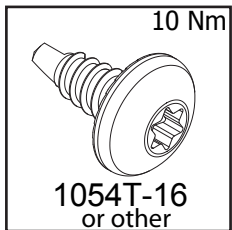
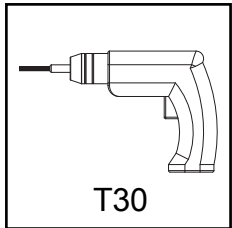
1135-C-FR











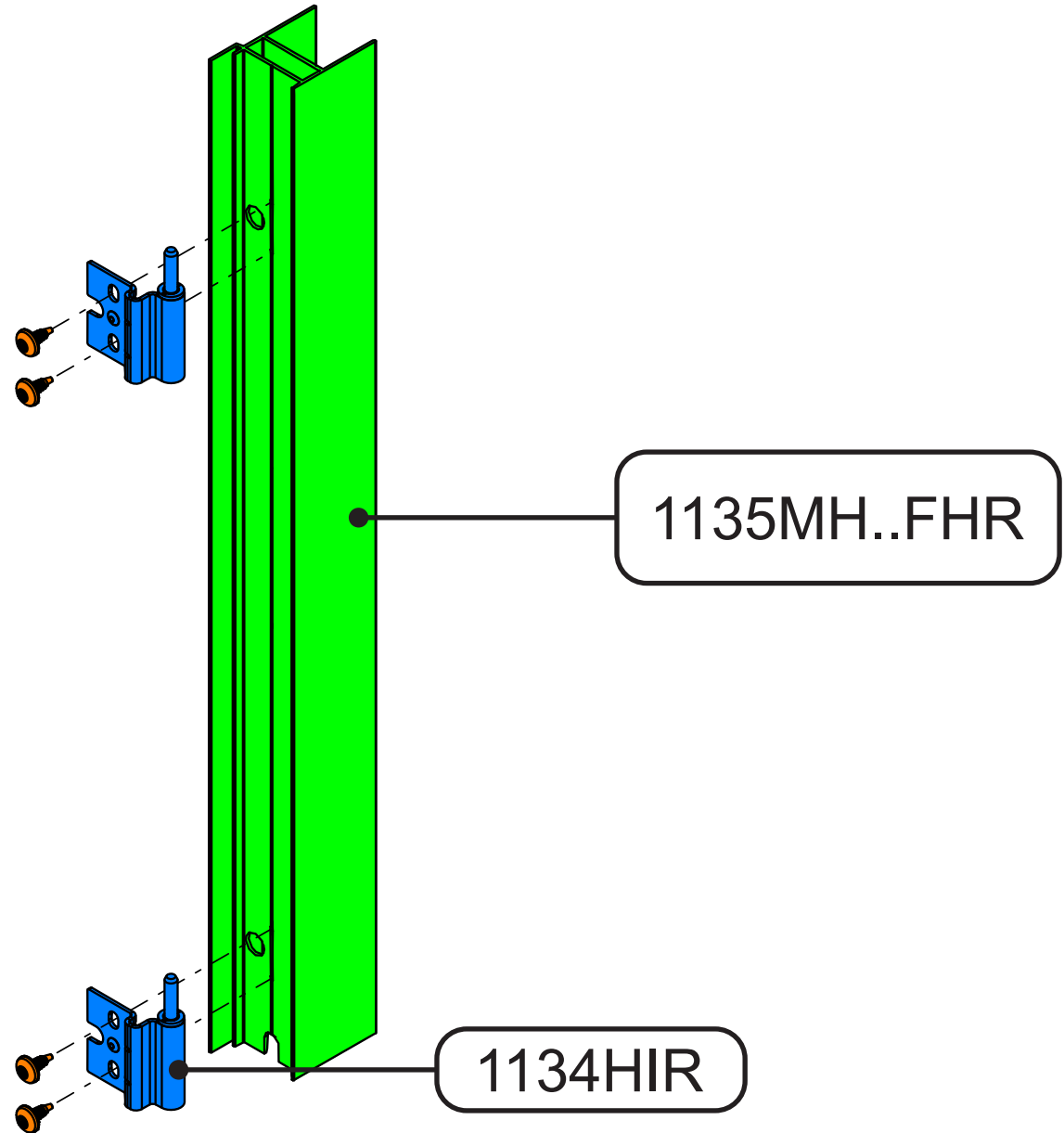
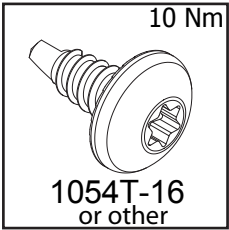
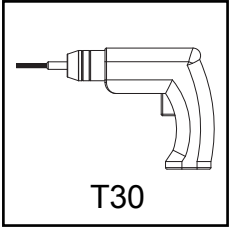
! See optional gauge on page 23

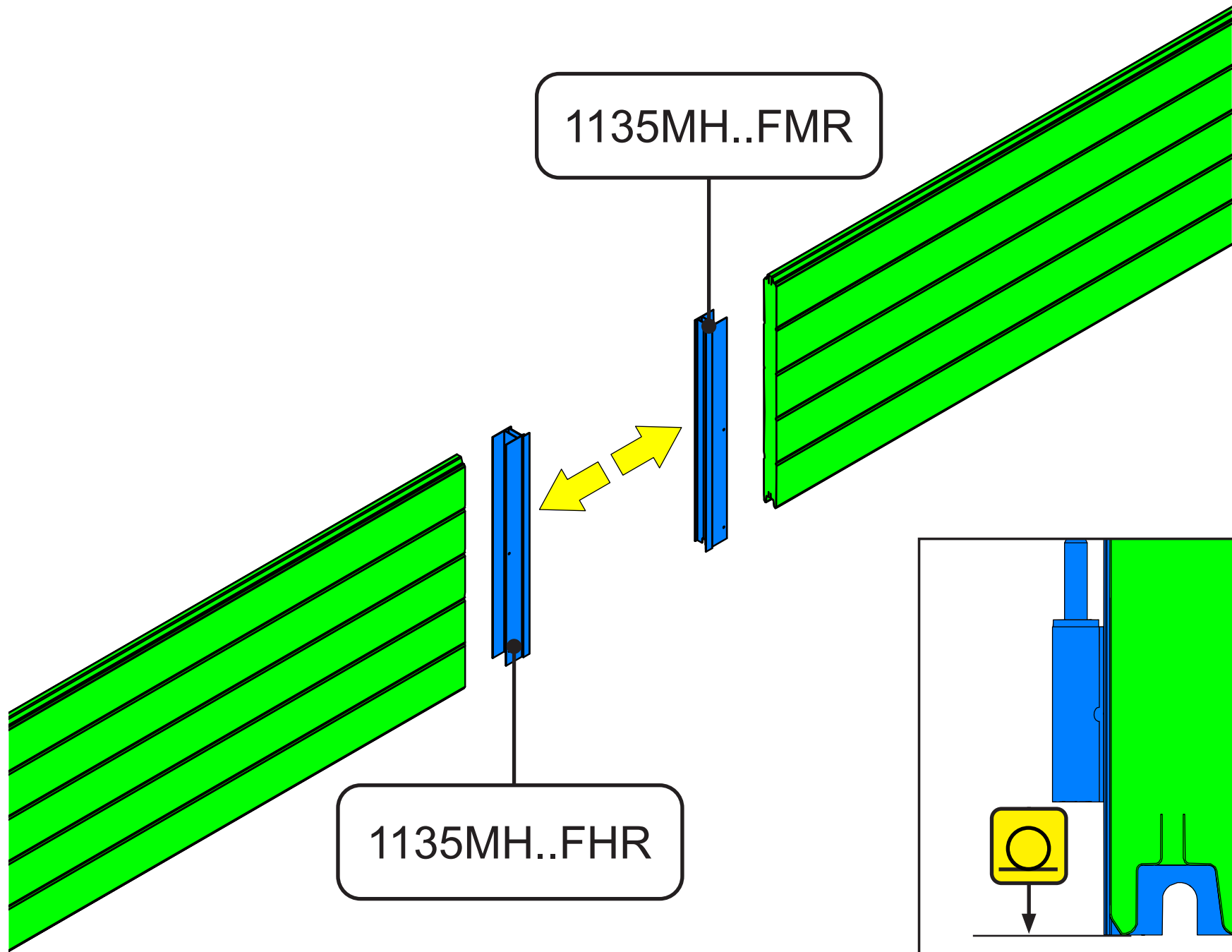


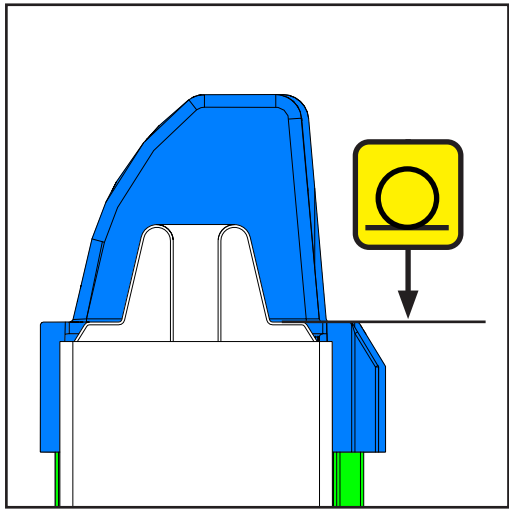
# **FF** Installation manual

## Frame middle sections assembly instructions

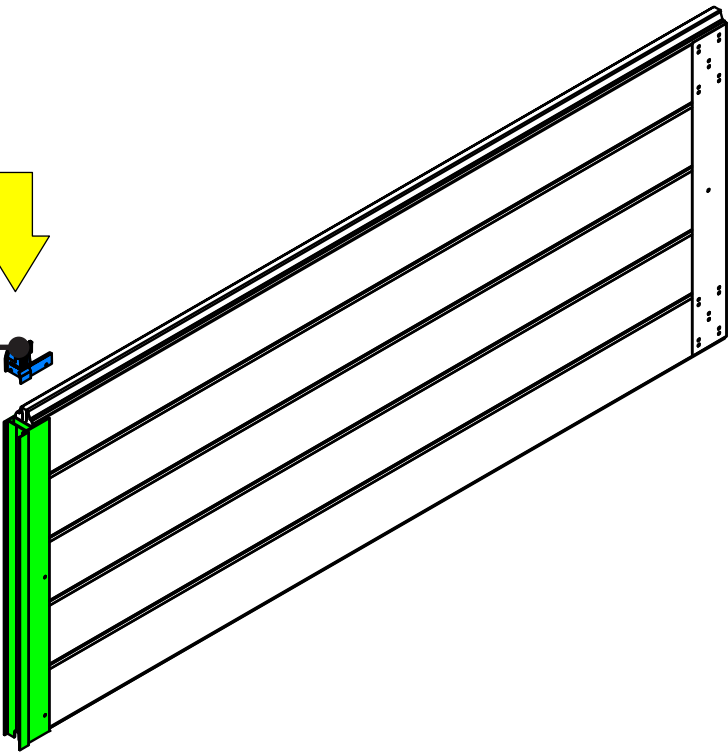




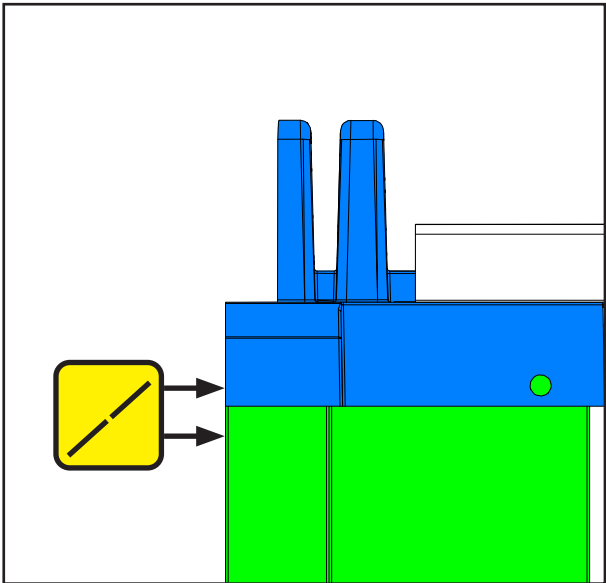
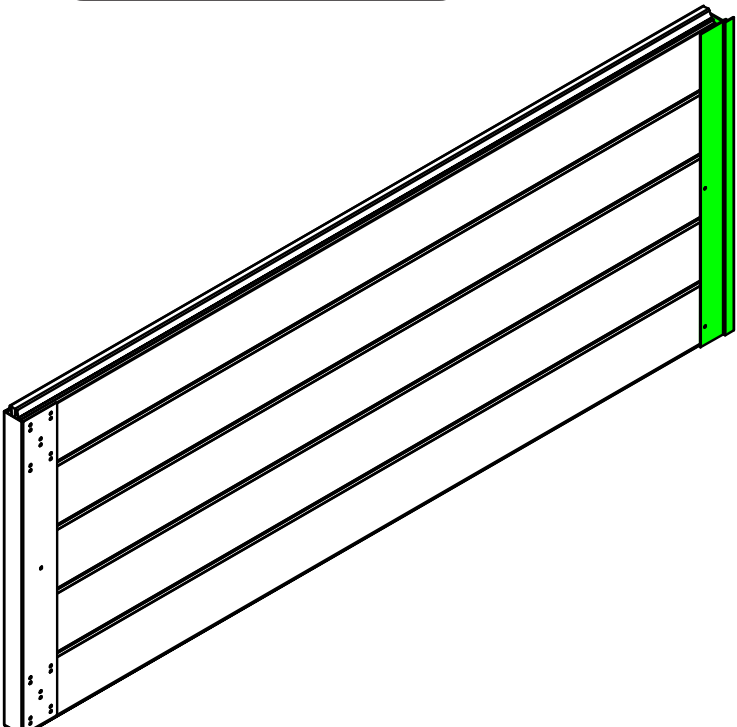


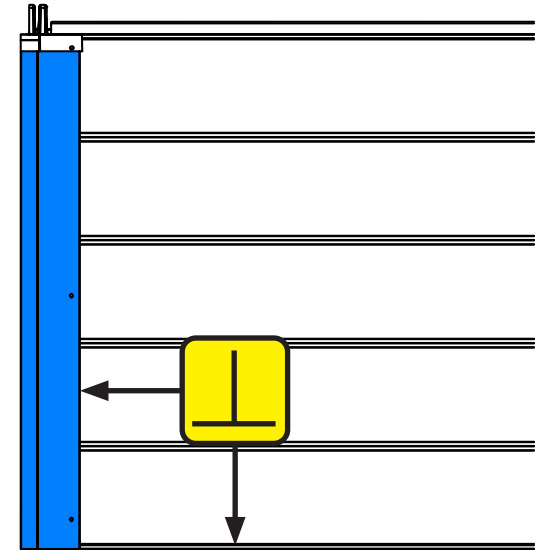
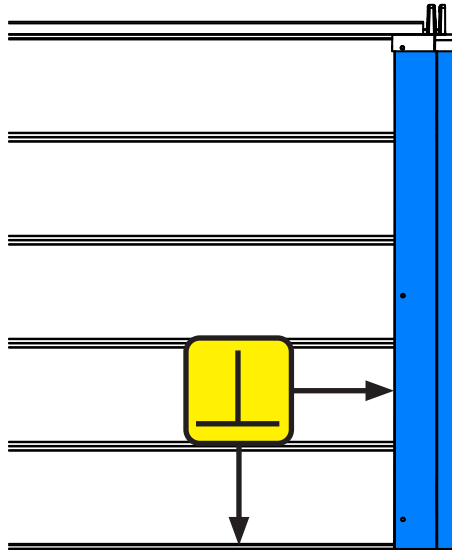
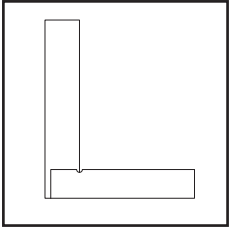


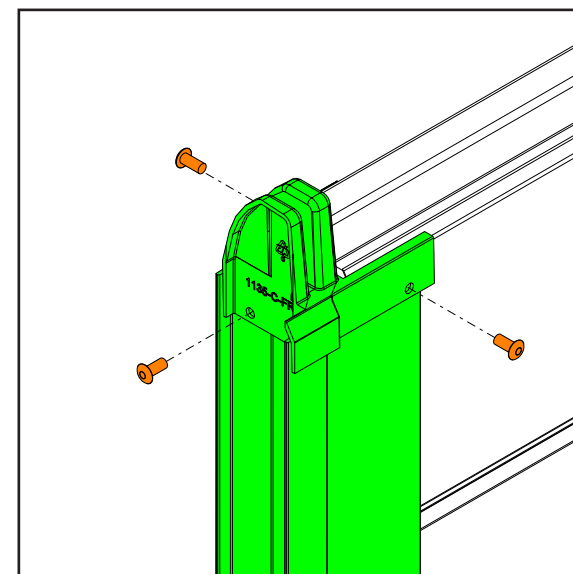
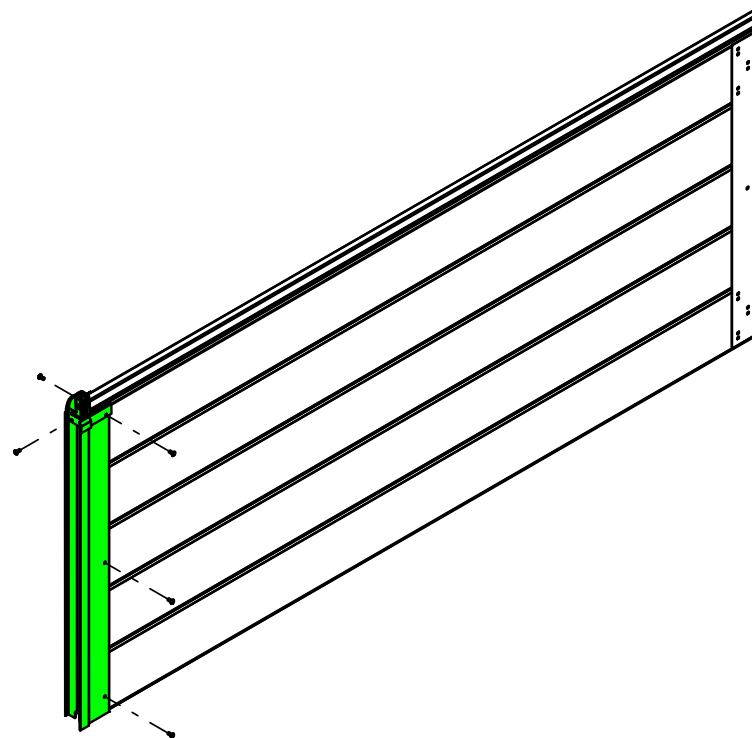
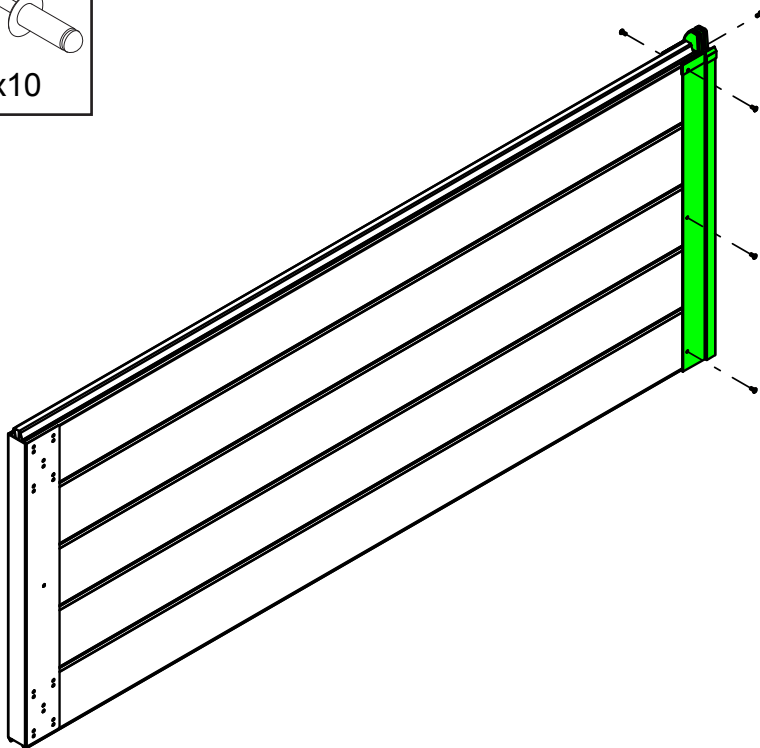
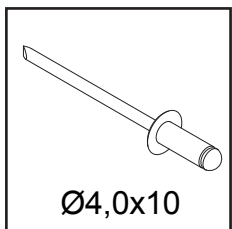
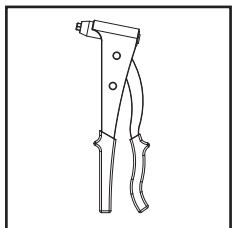
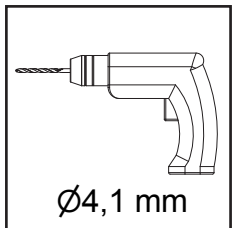
1135-C-FR

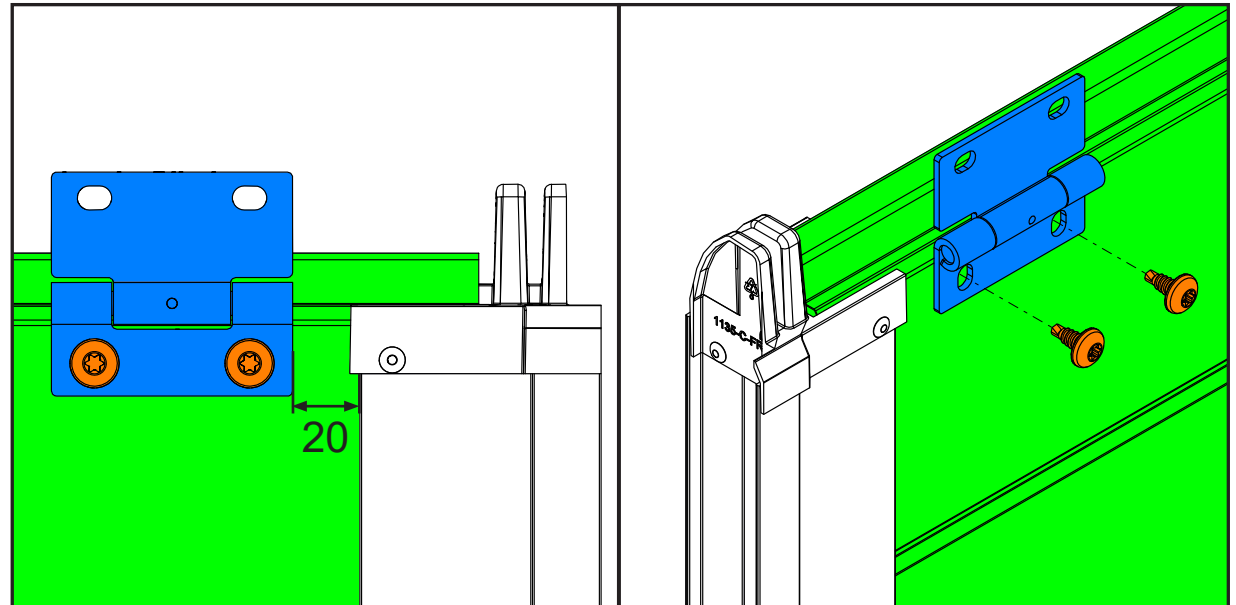
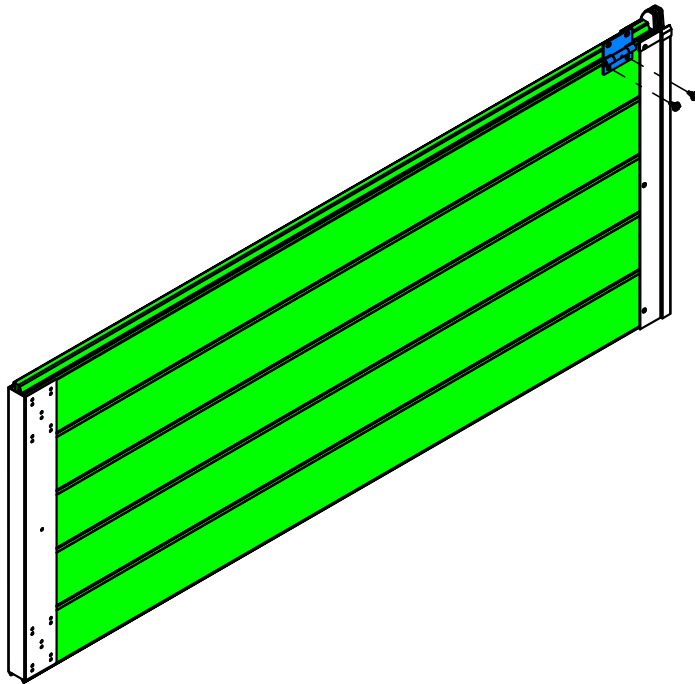
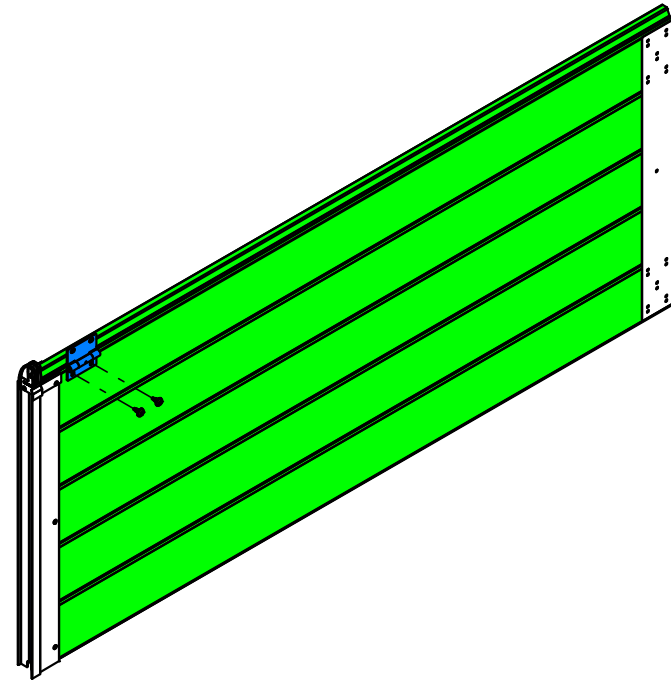
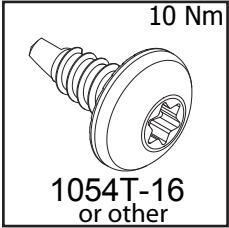
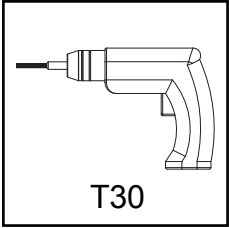


1135-C-FL





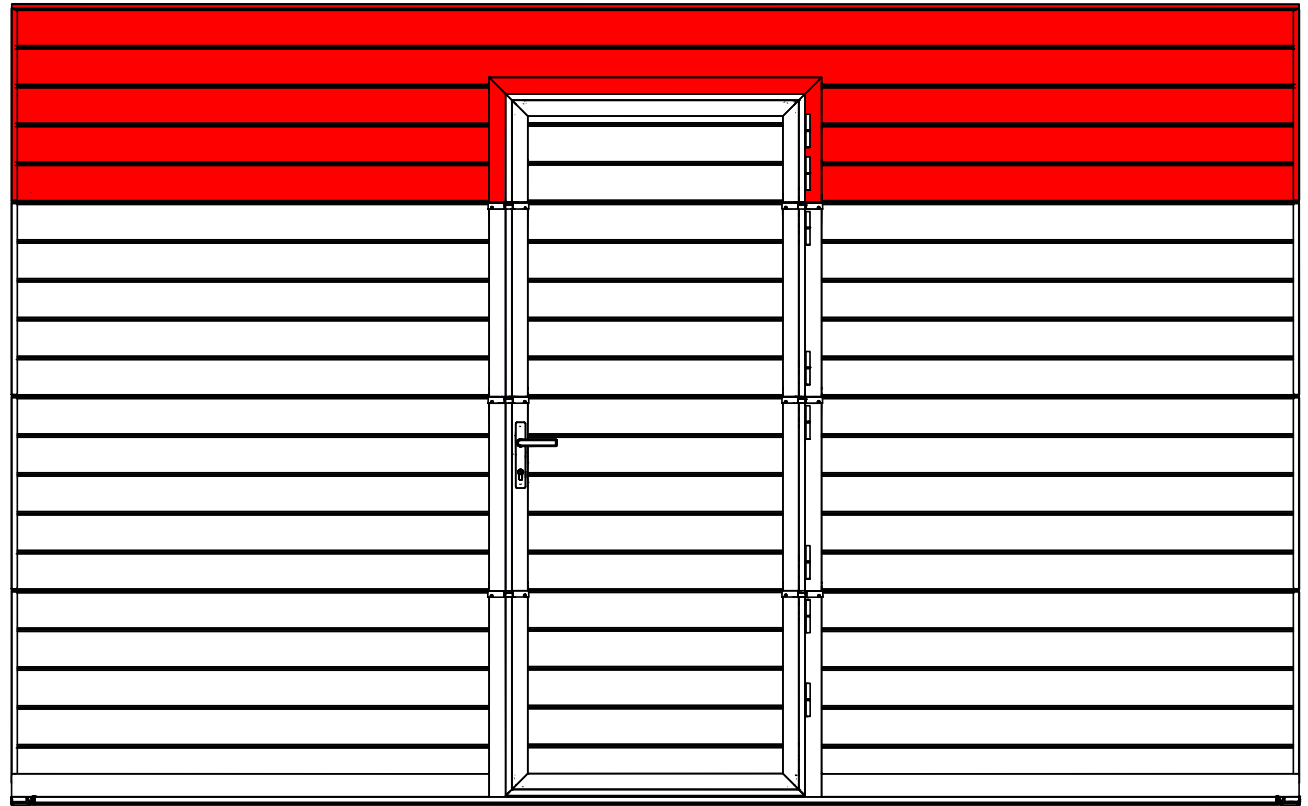




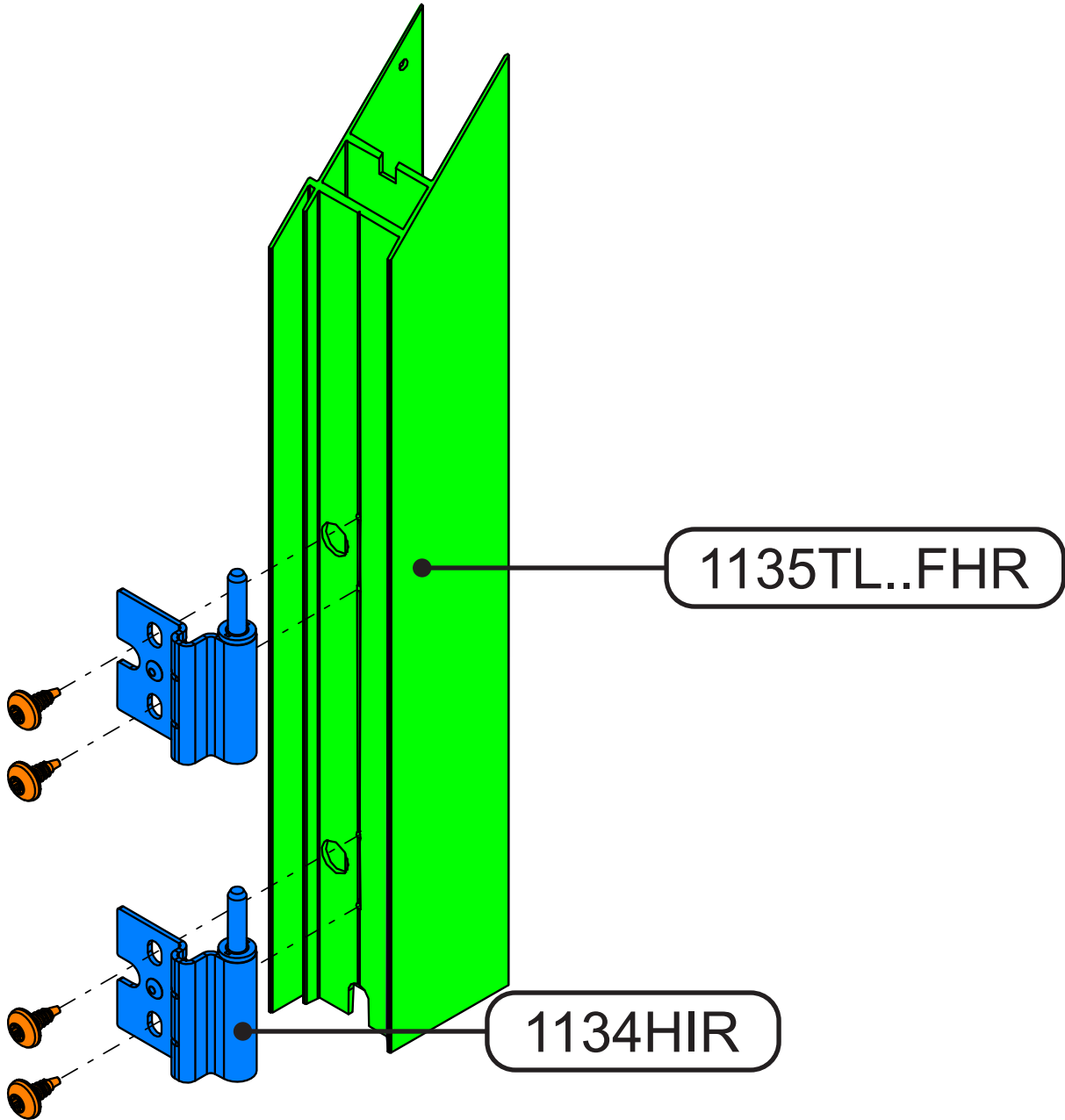
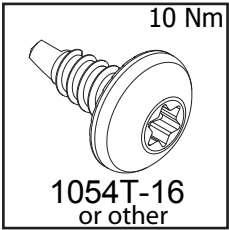
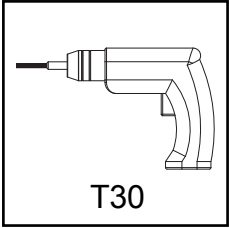
! See optional gauge on page 23

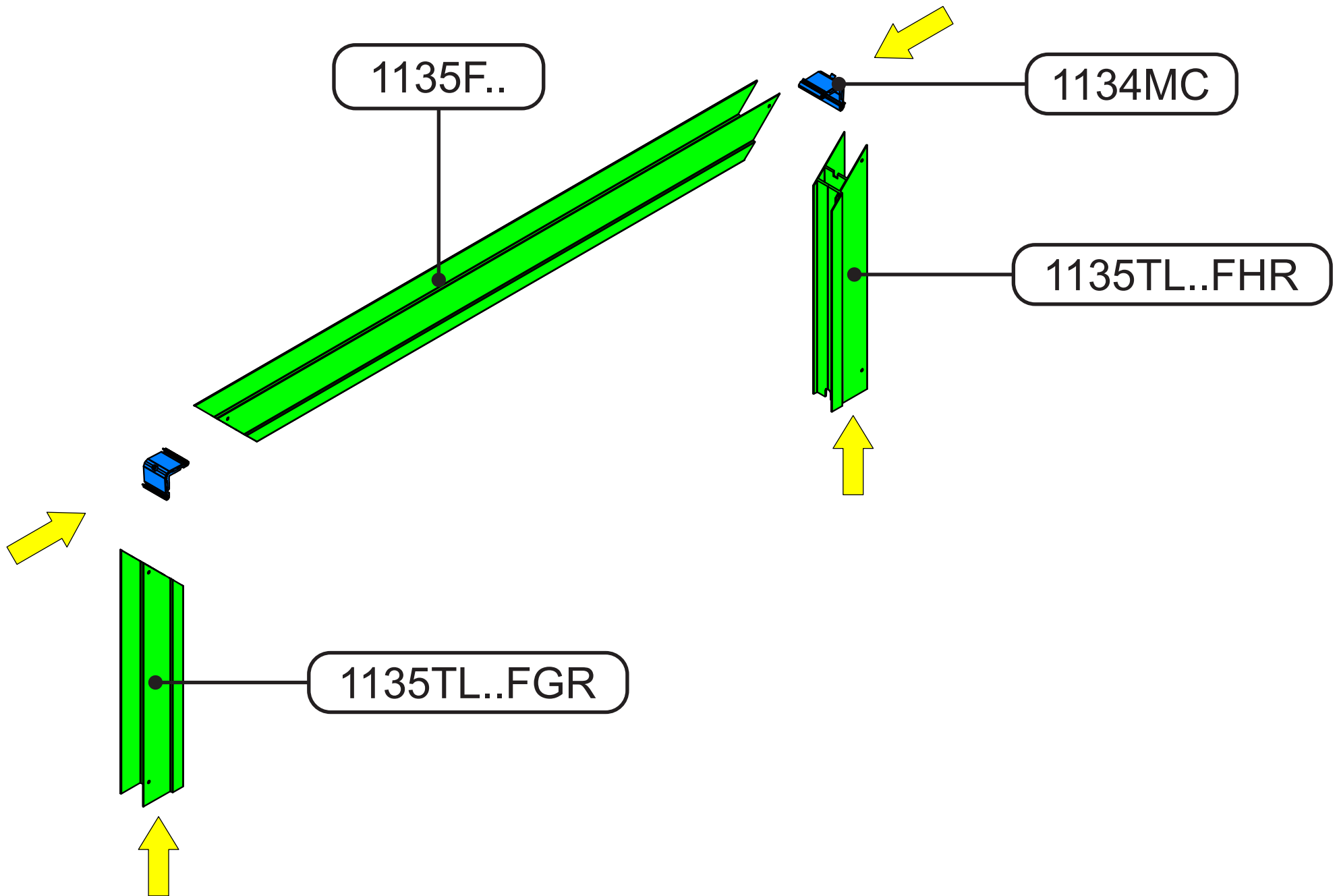
# **FF** Installation manual

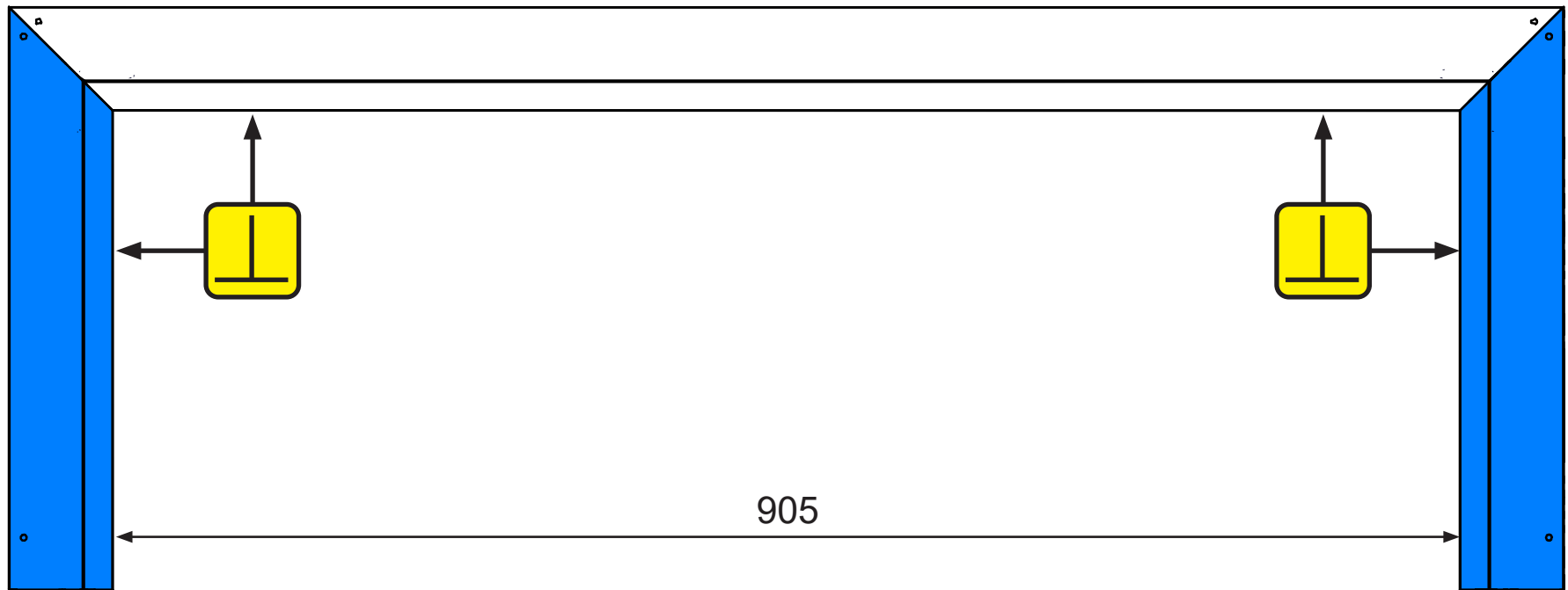
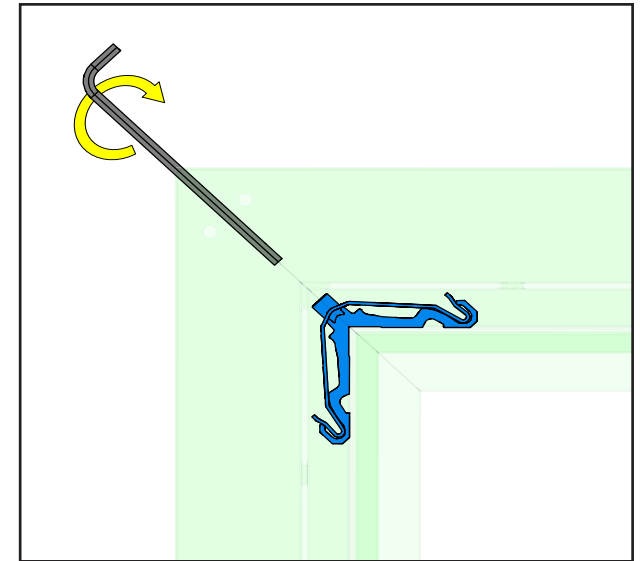
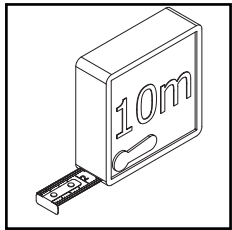
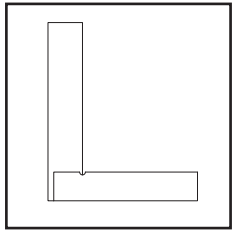
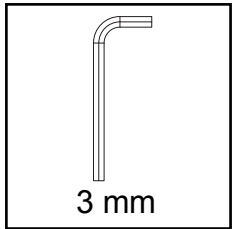
## **Frame top section** assembly instructions

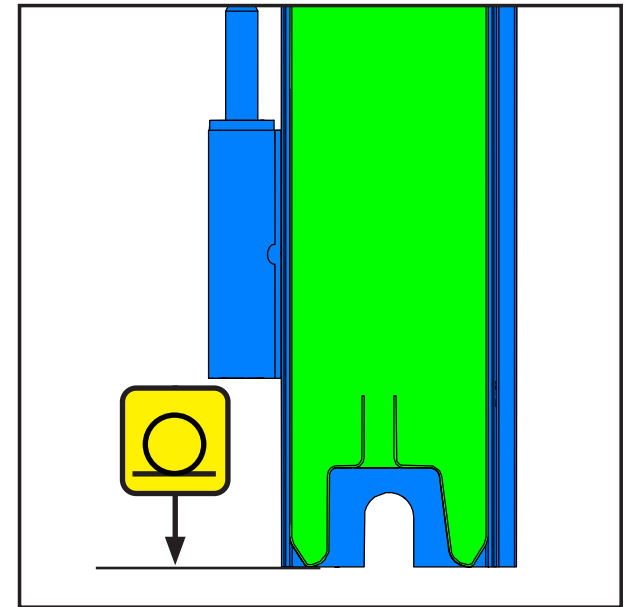
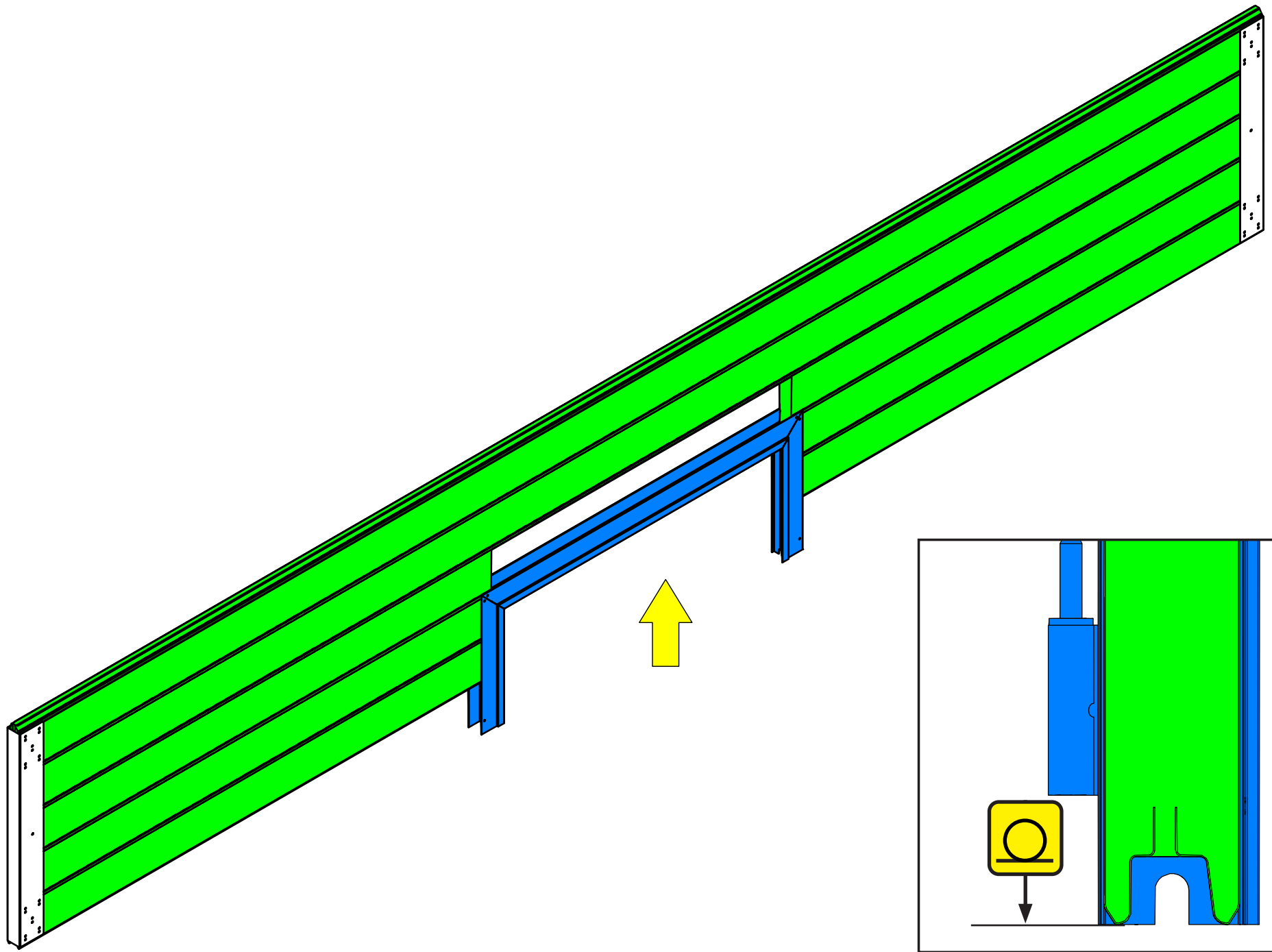


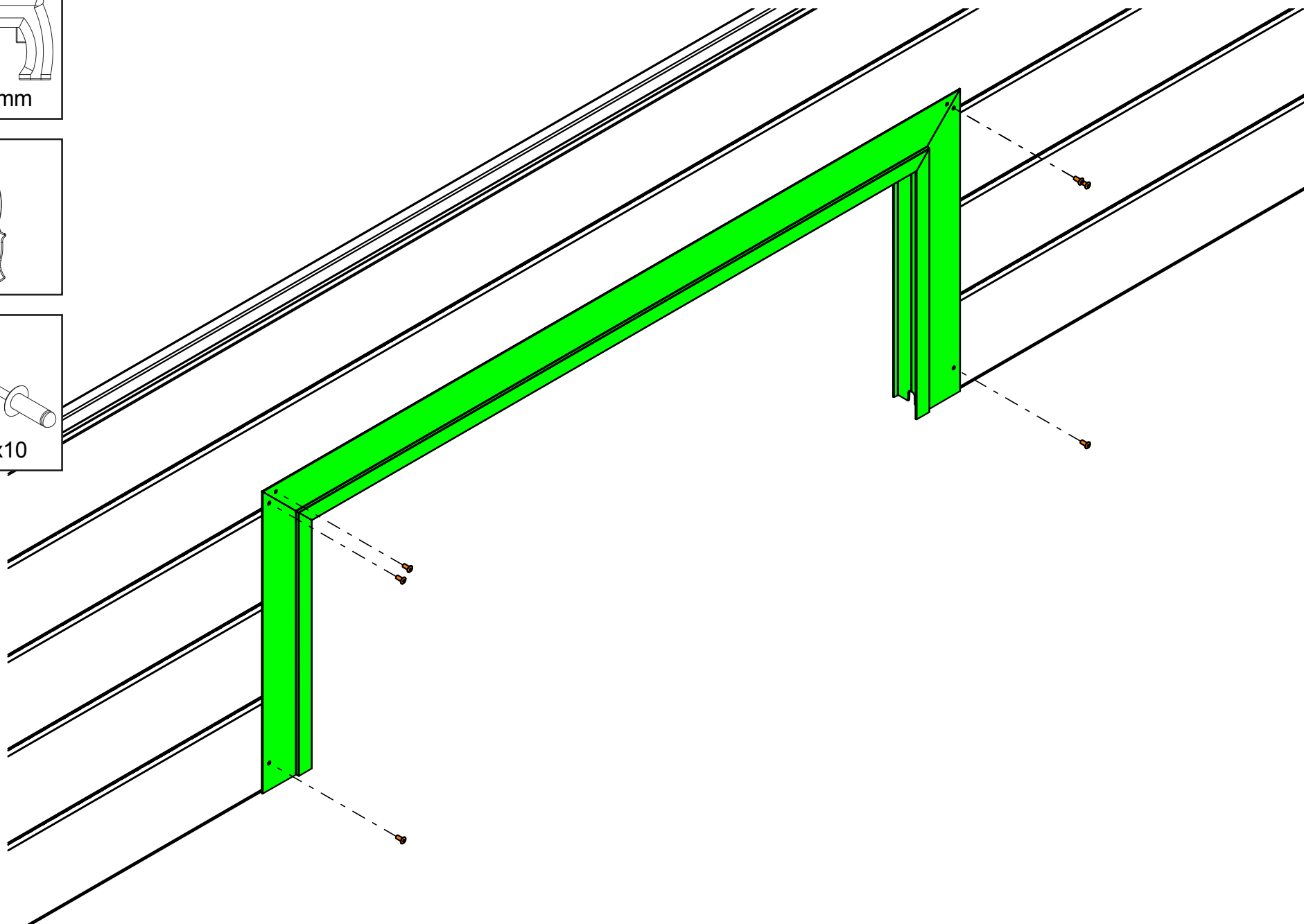
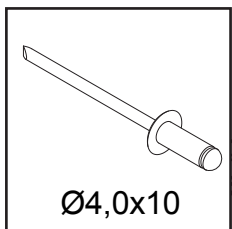
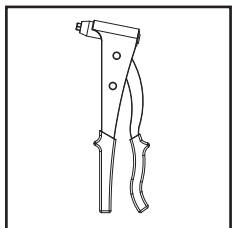
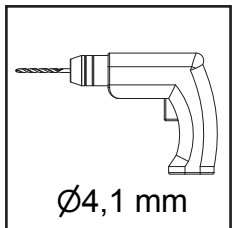


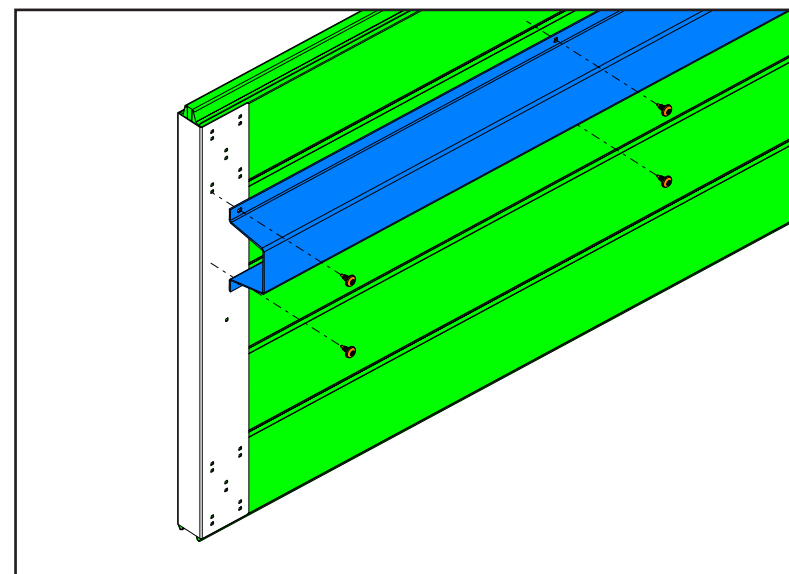
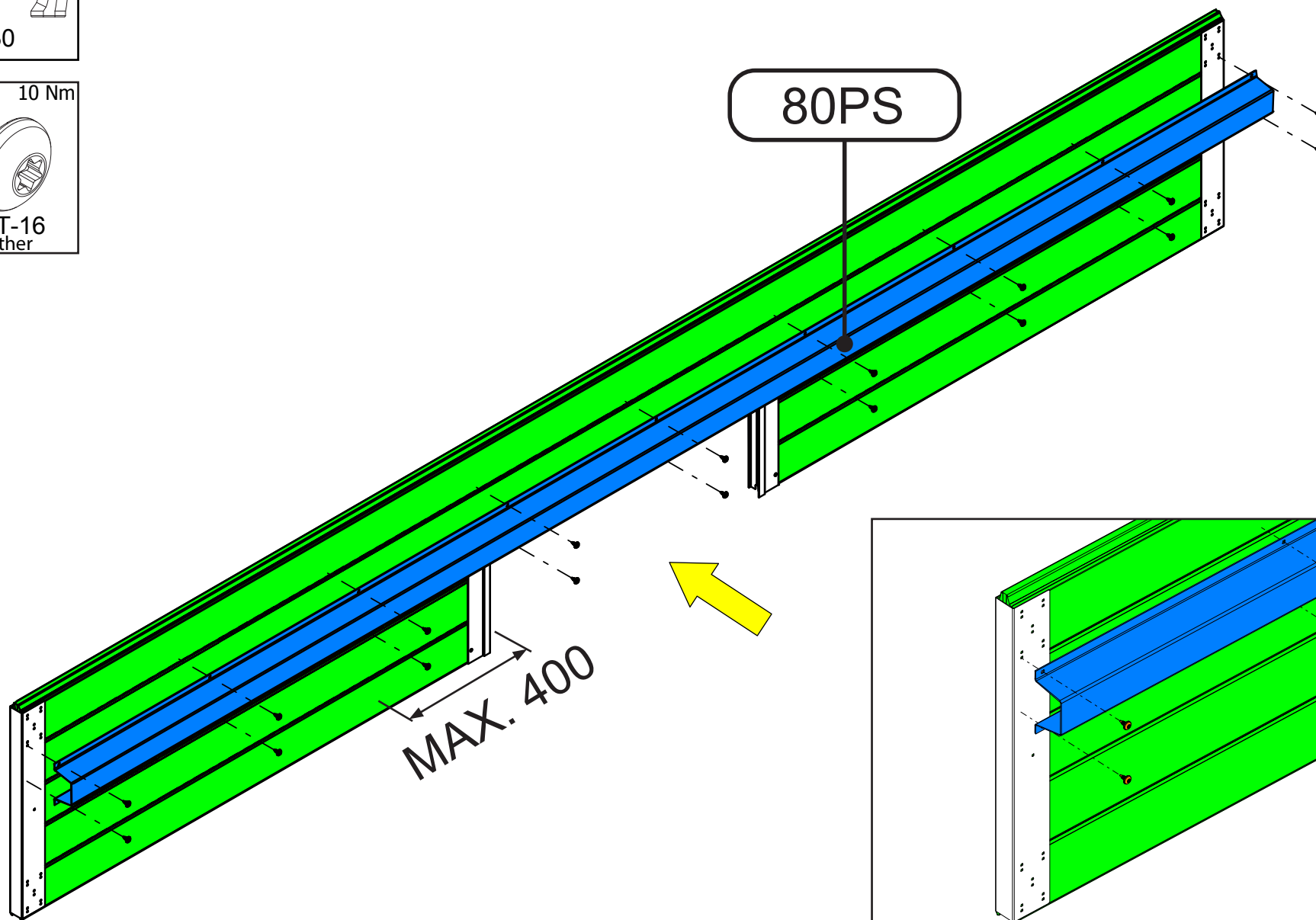
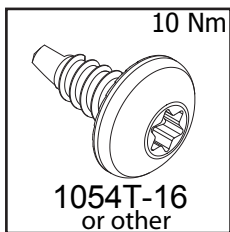
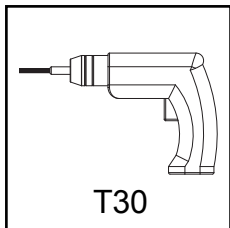






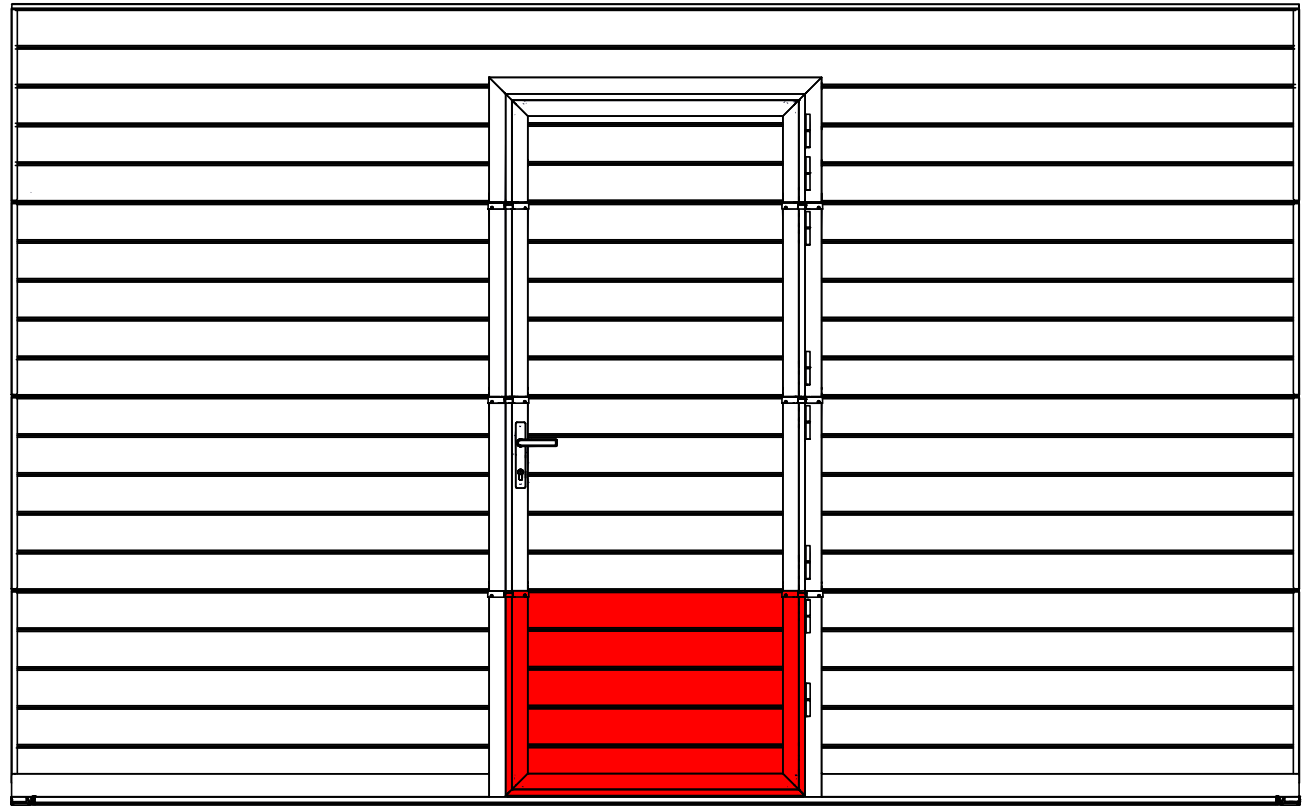


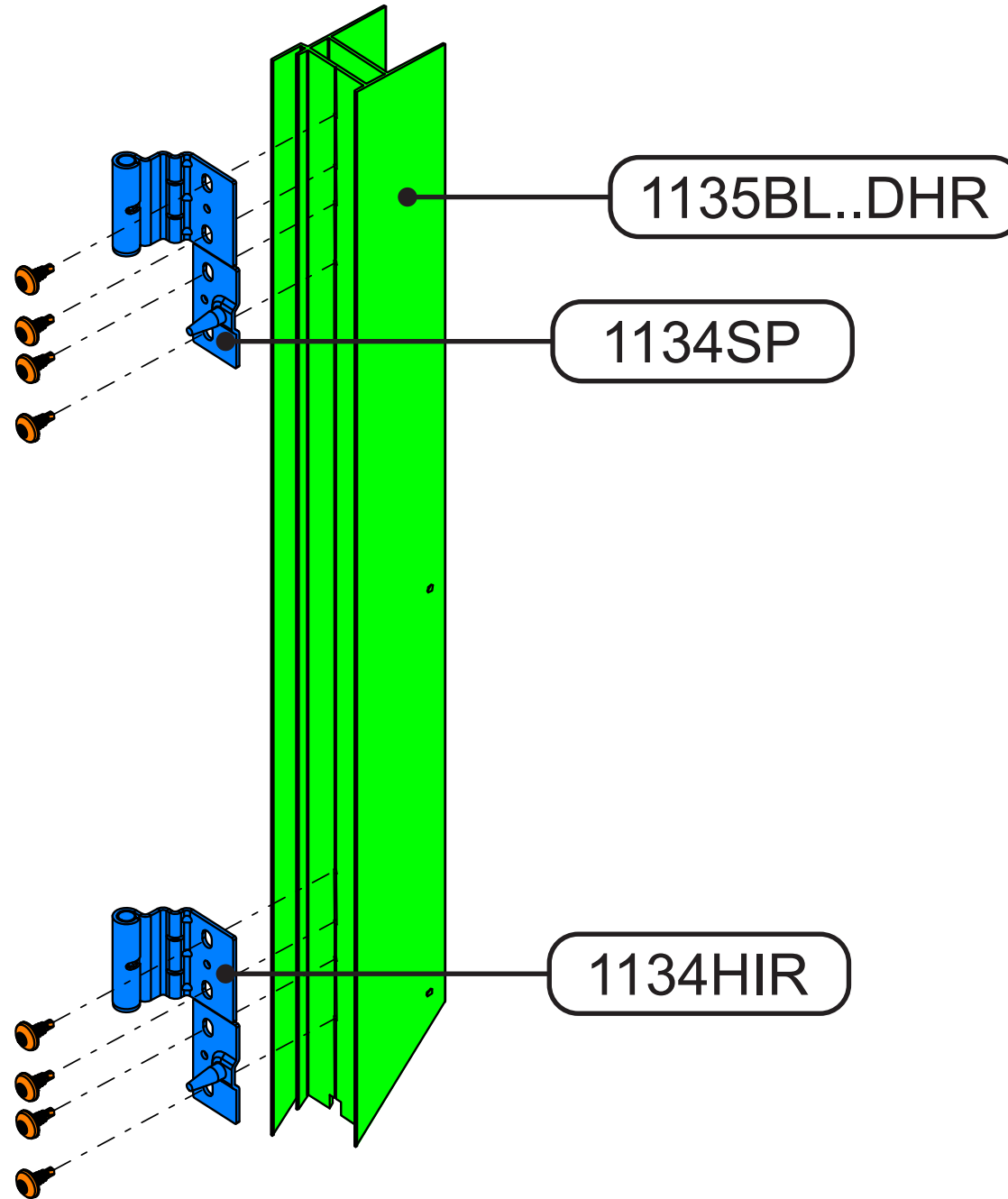
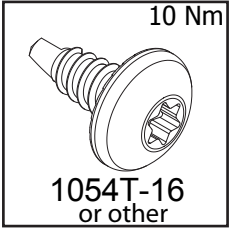
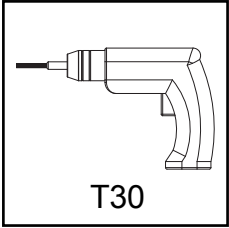




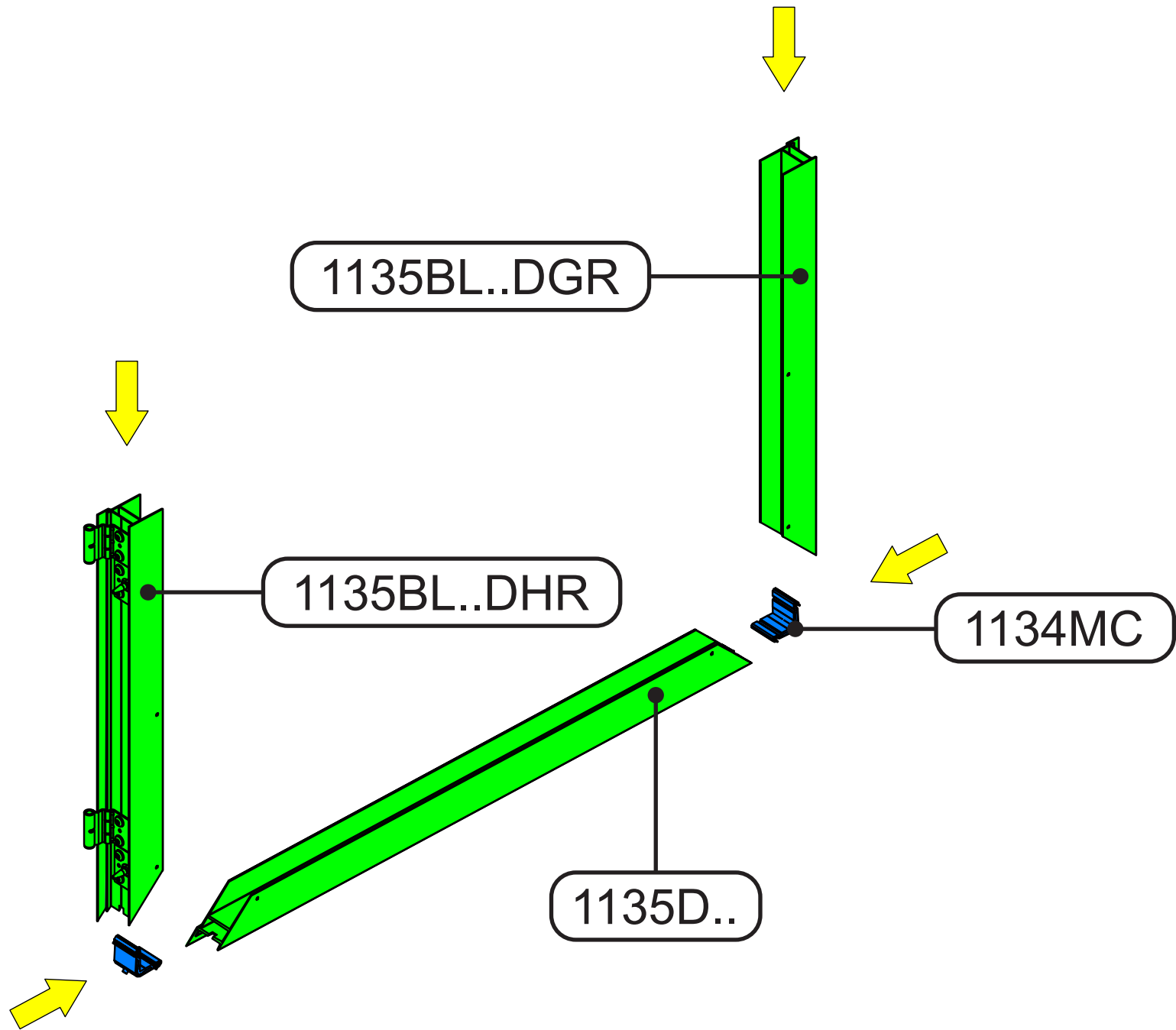
# **FF** Installation manual

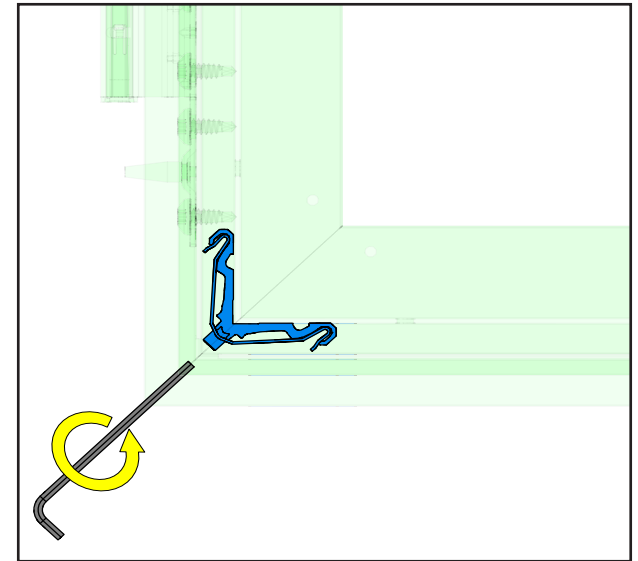
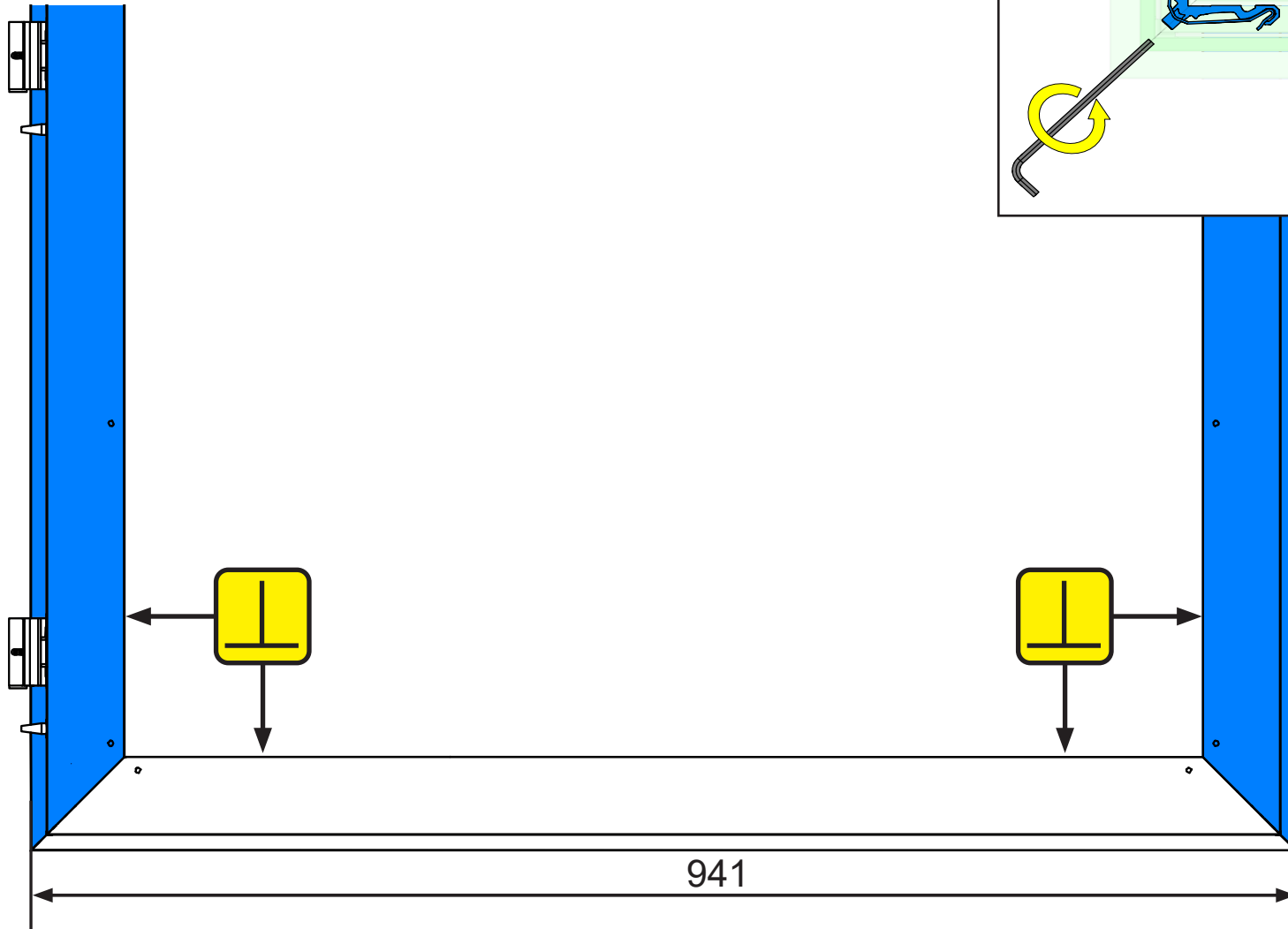
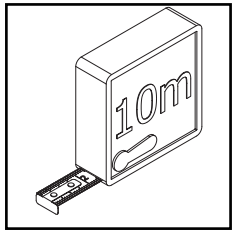
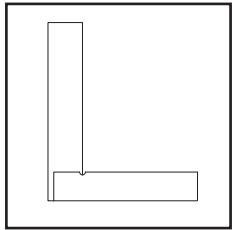
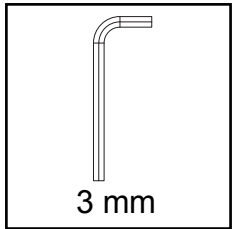
## **Door bottom section** assembly instructions

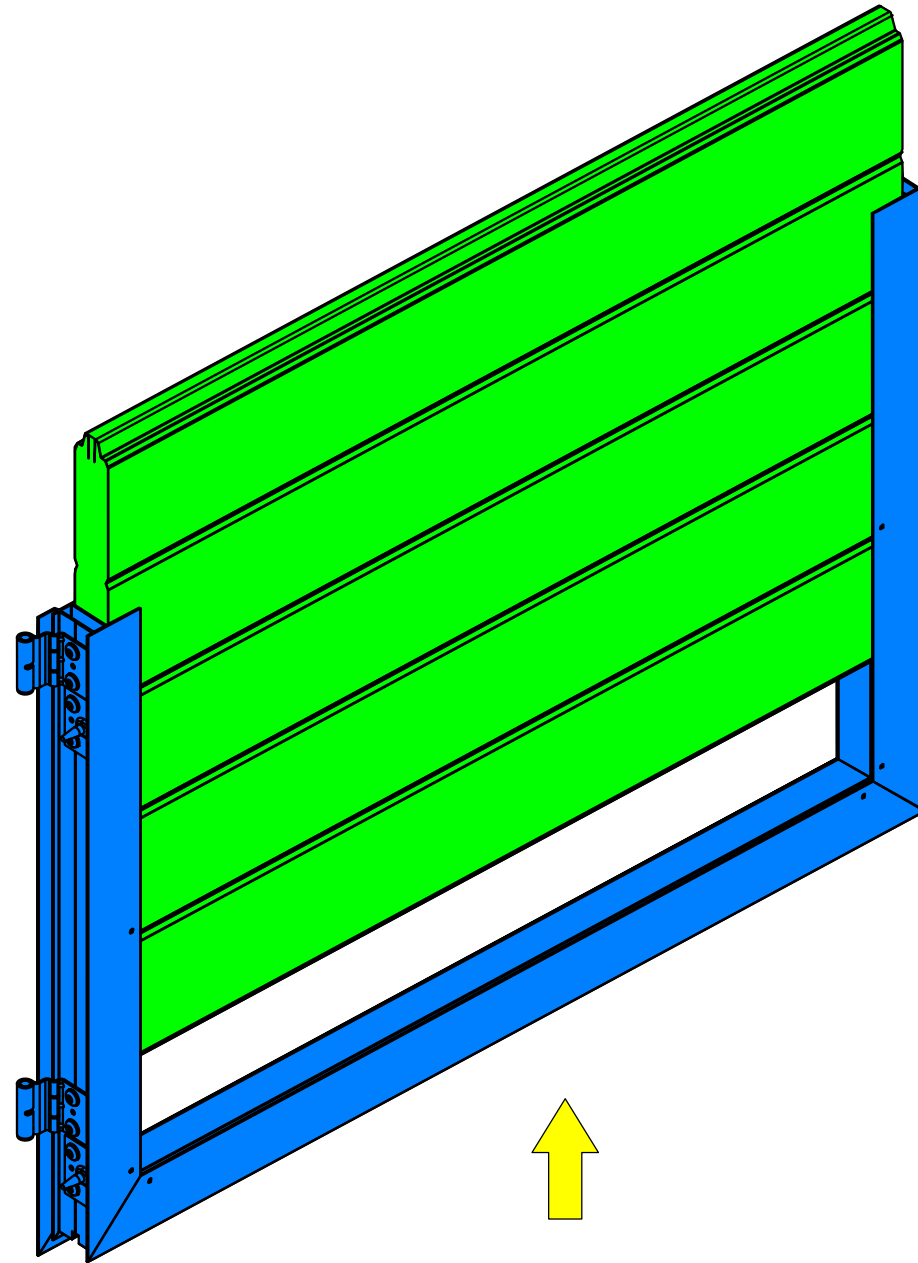


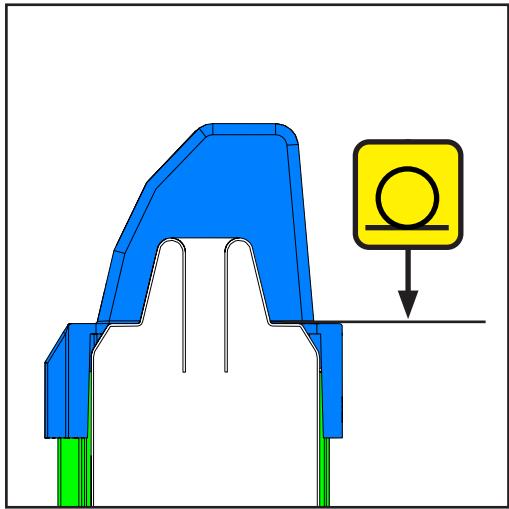








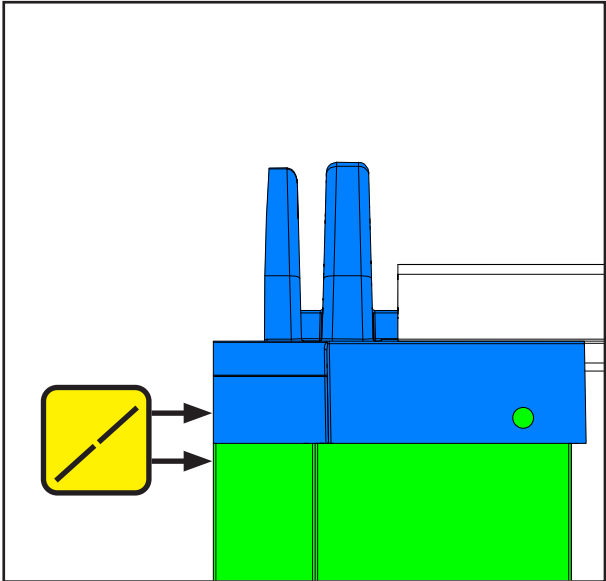
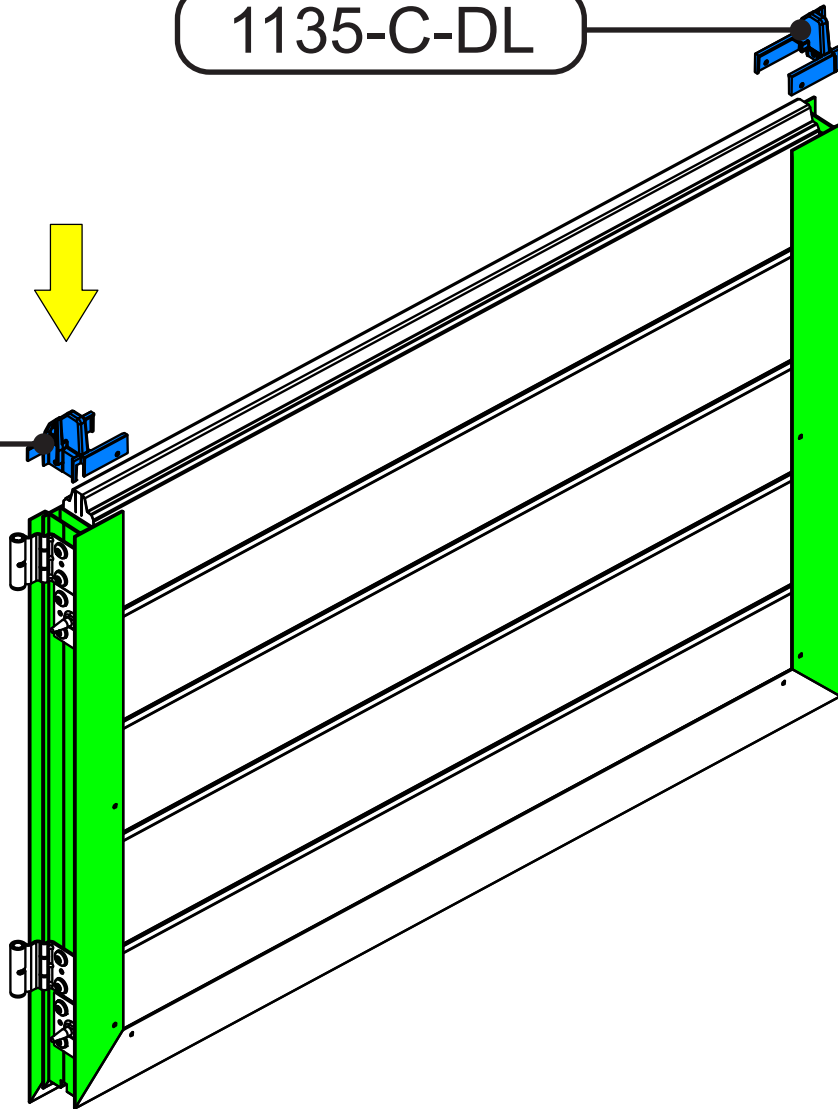


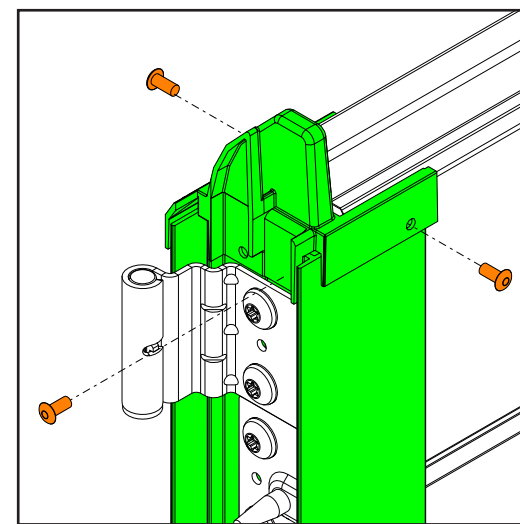
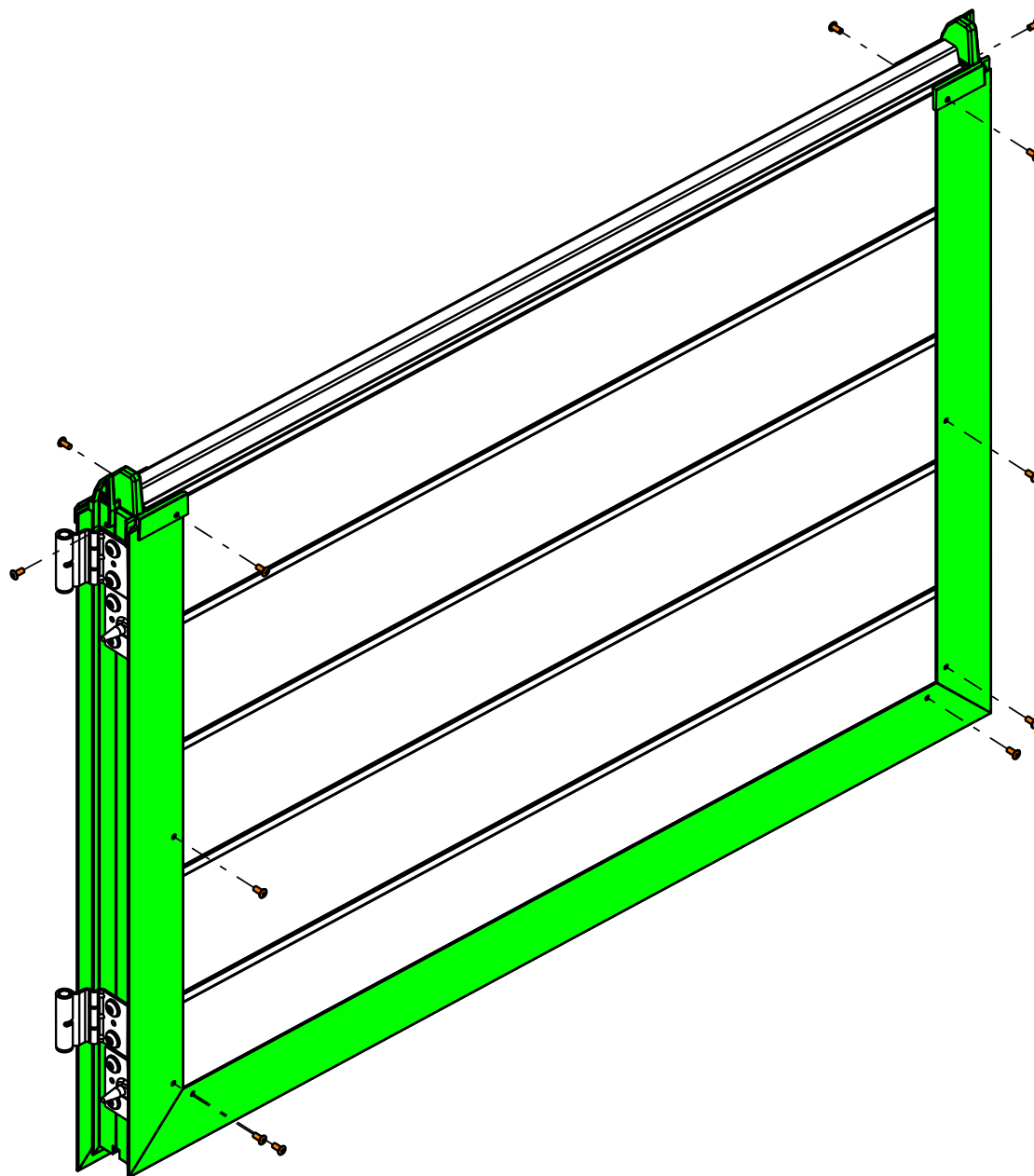
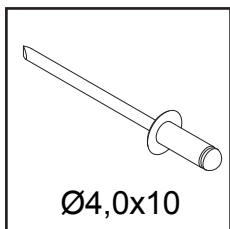
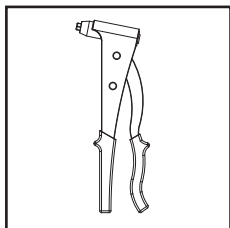
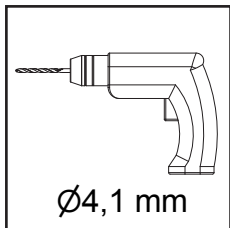


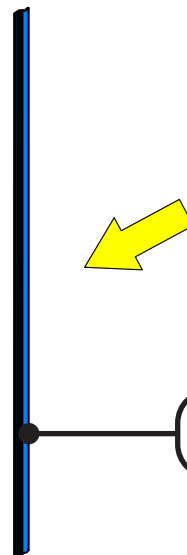
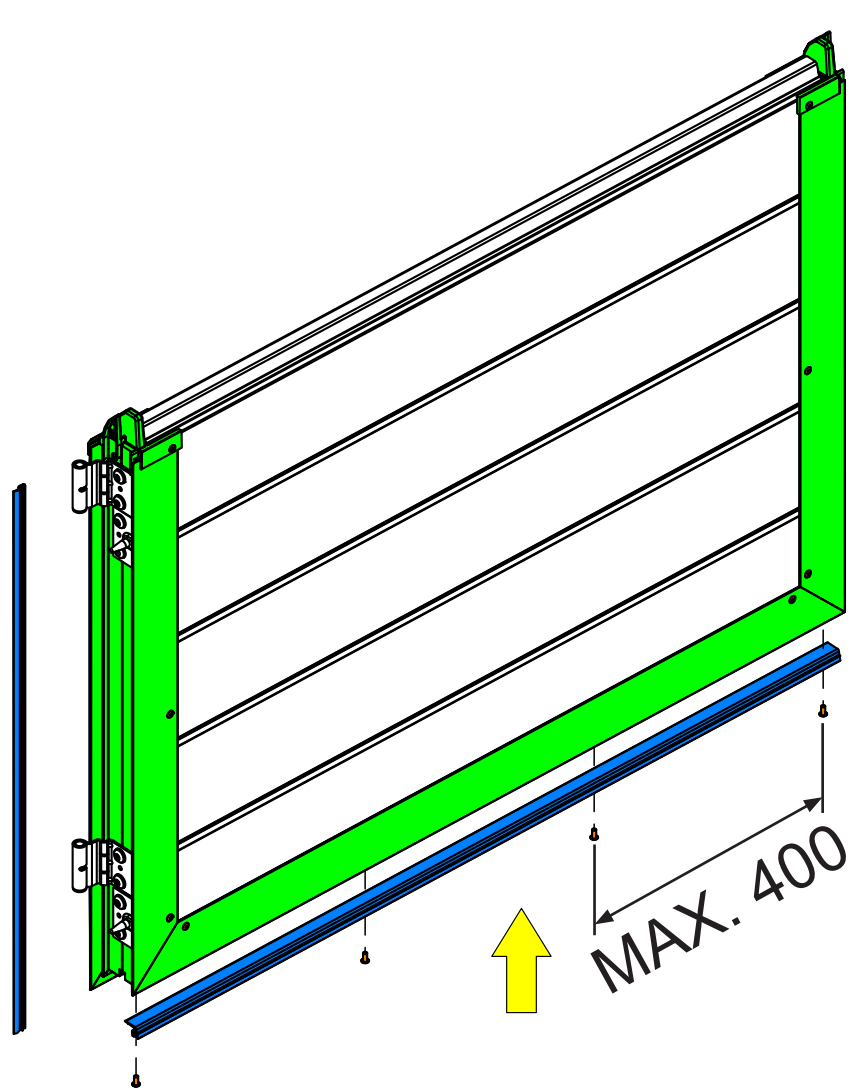
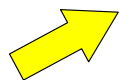
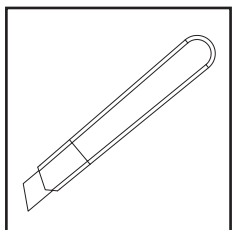
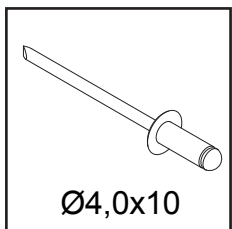
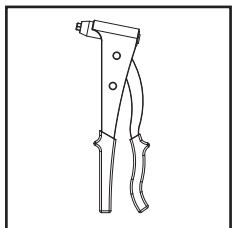
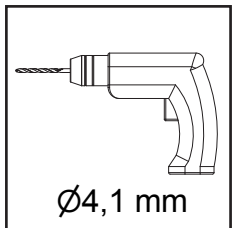
1135-C-DL



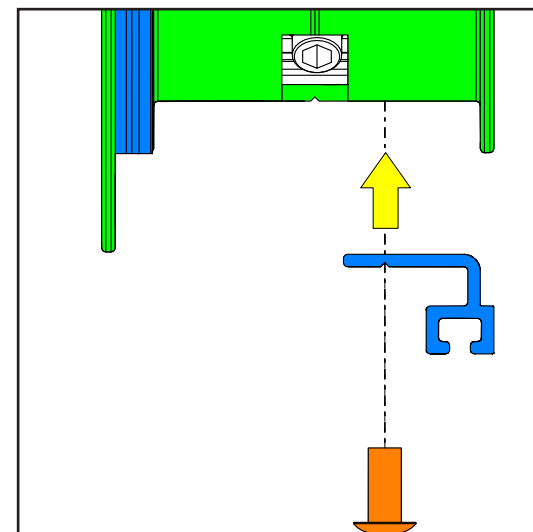
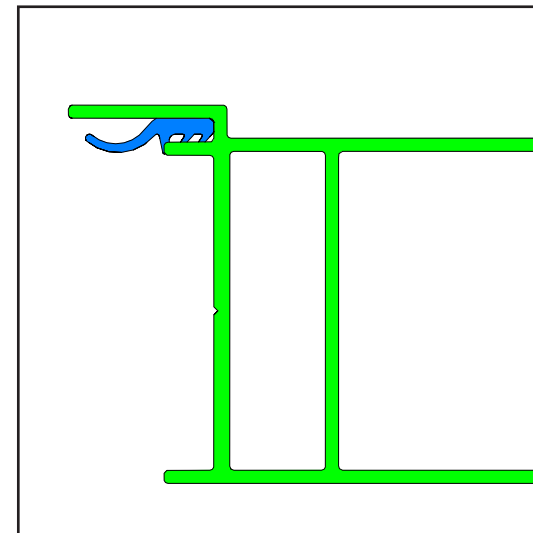
1135-C-DR

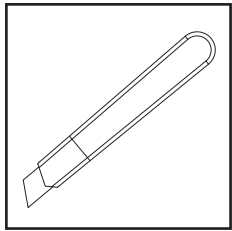




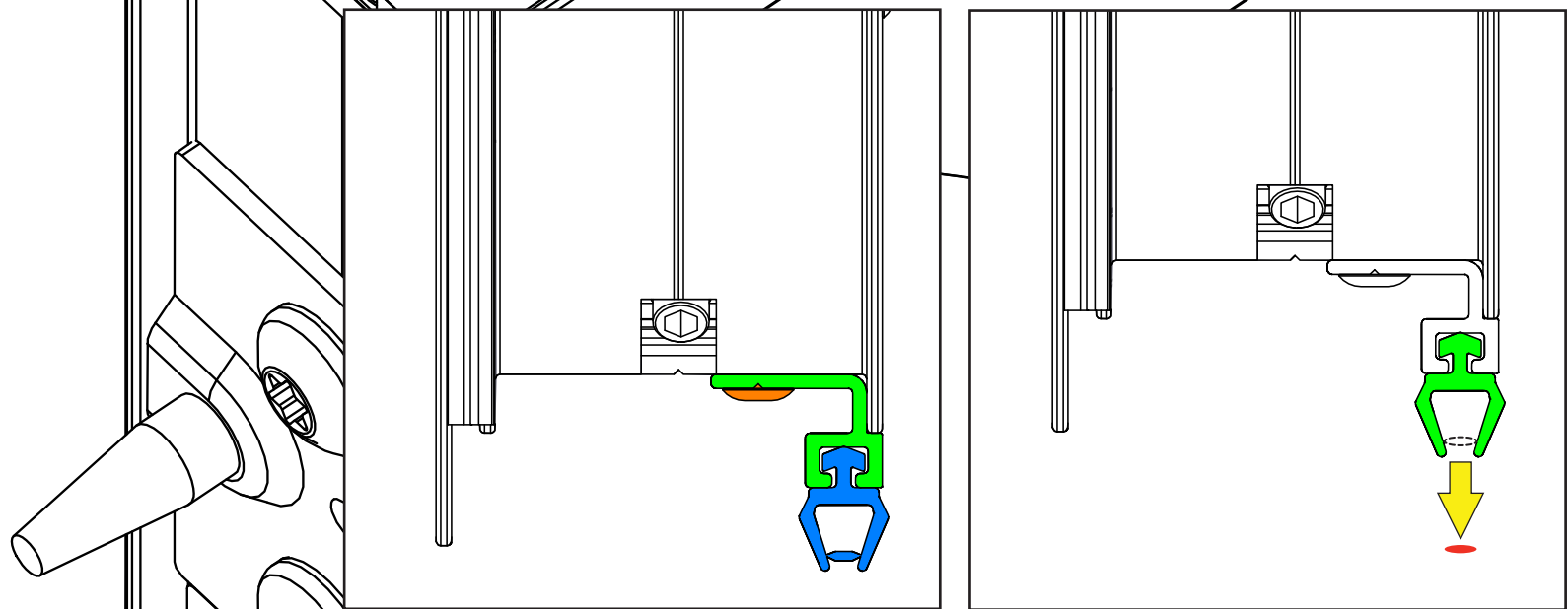
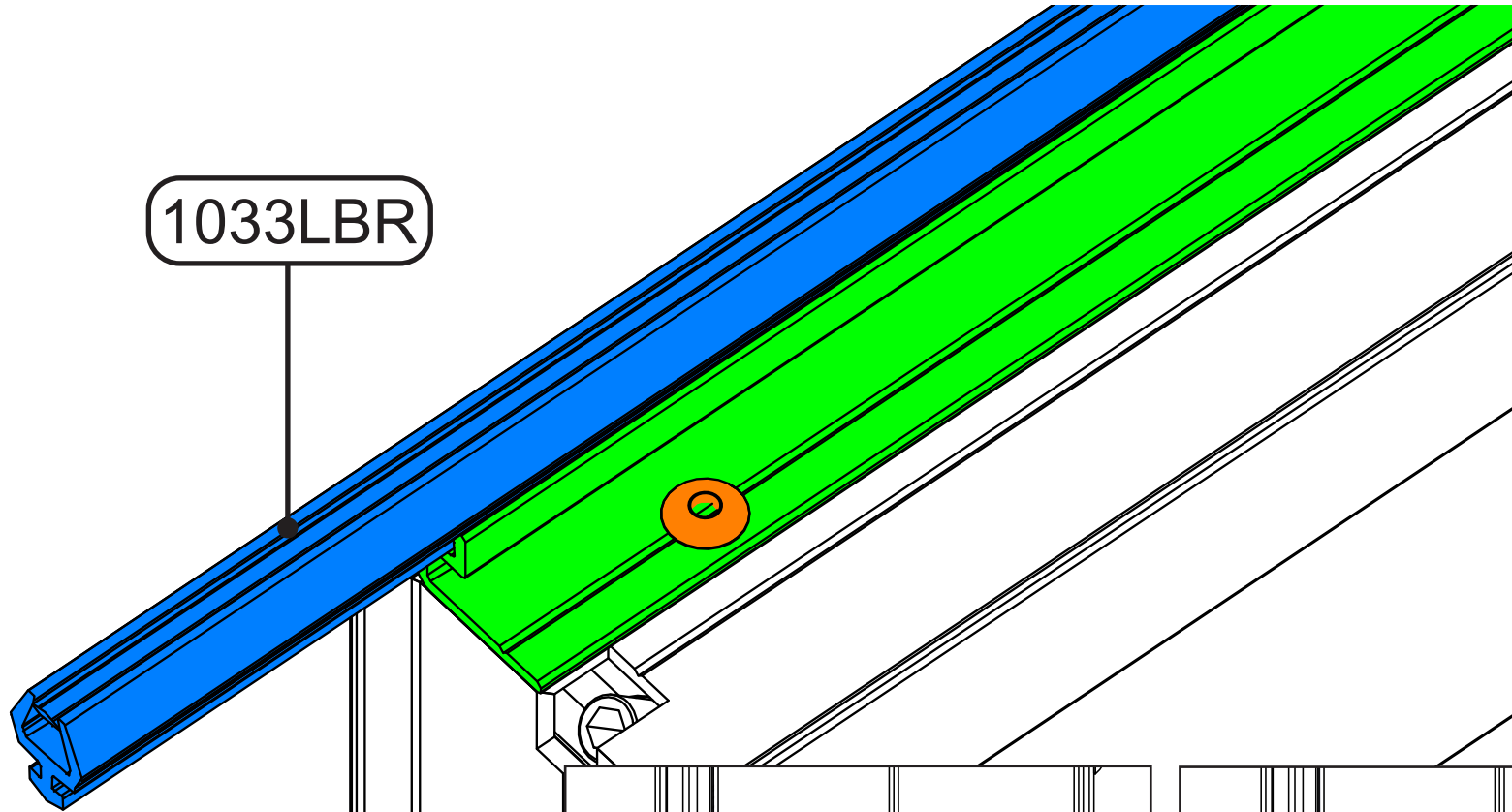
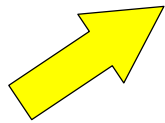


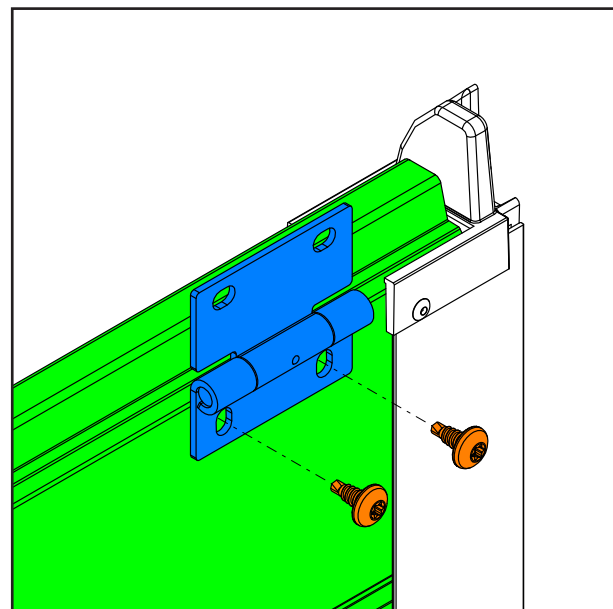
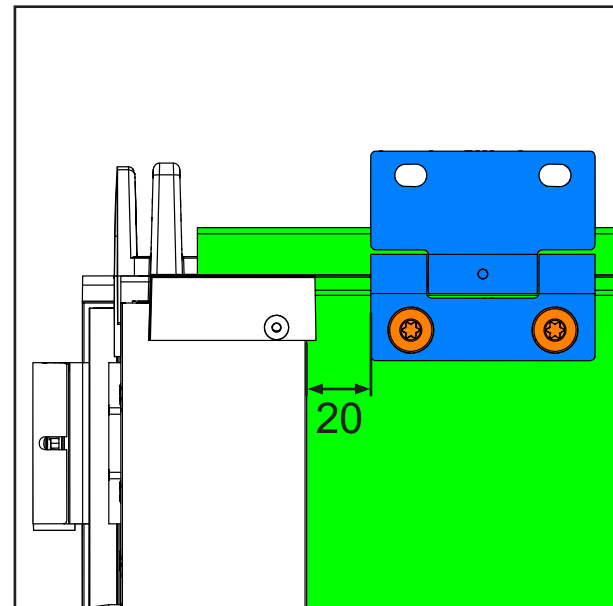
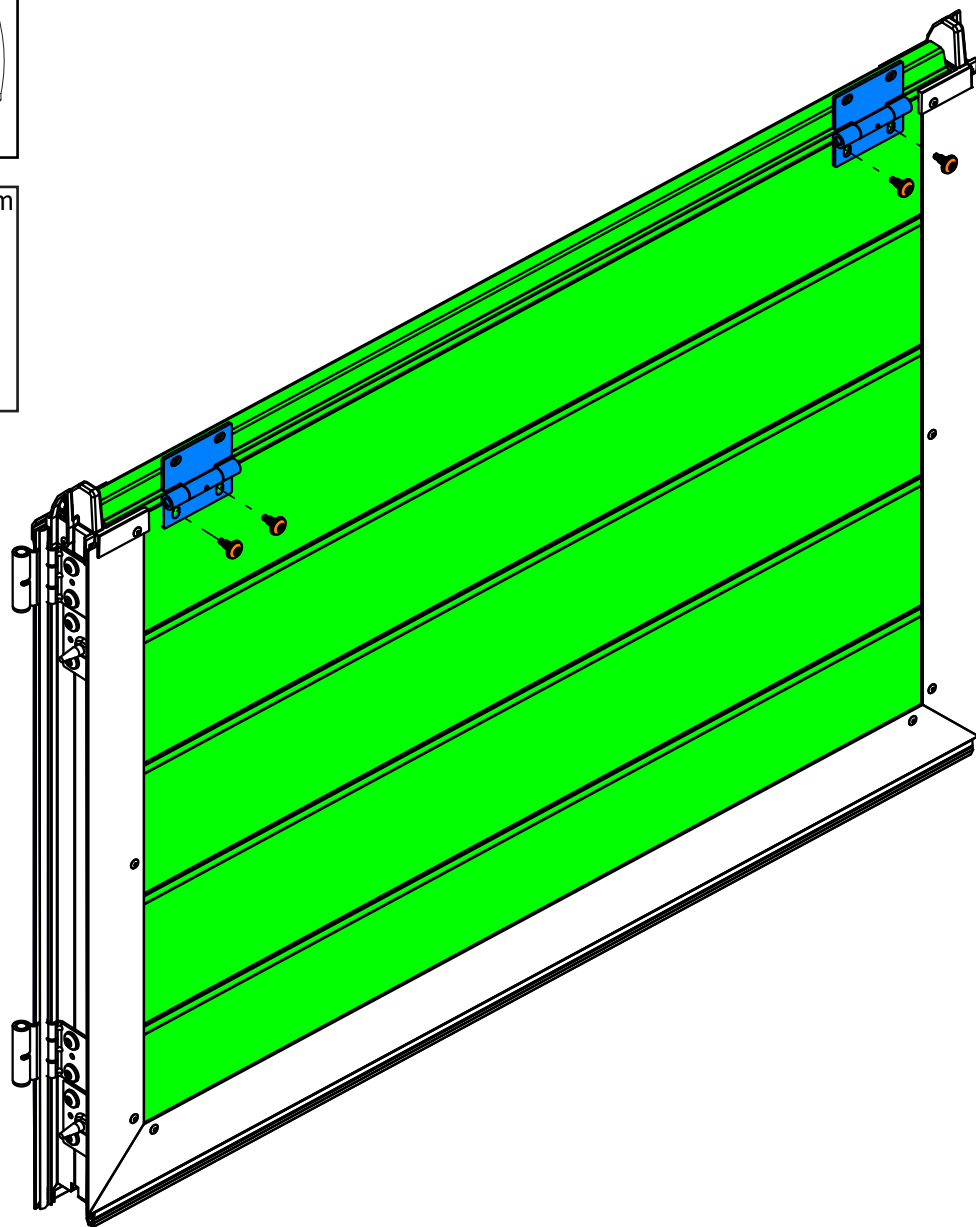
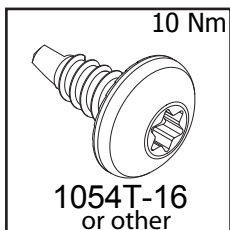
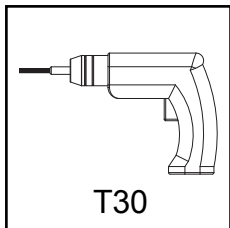
1134R





1033LBR



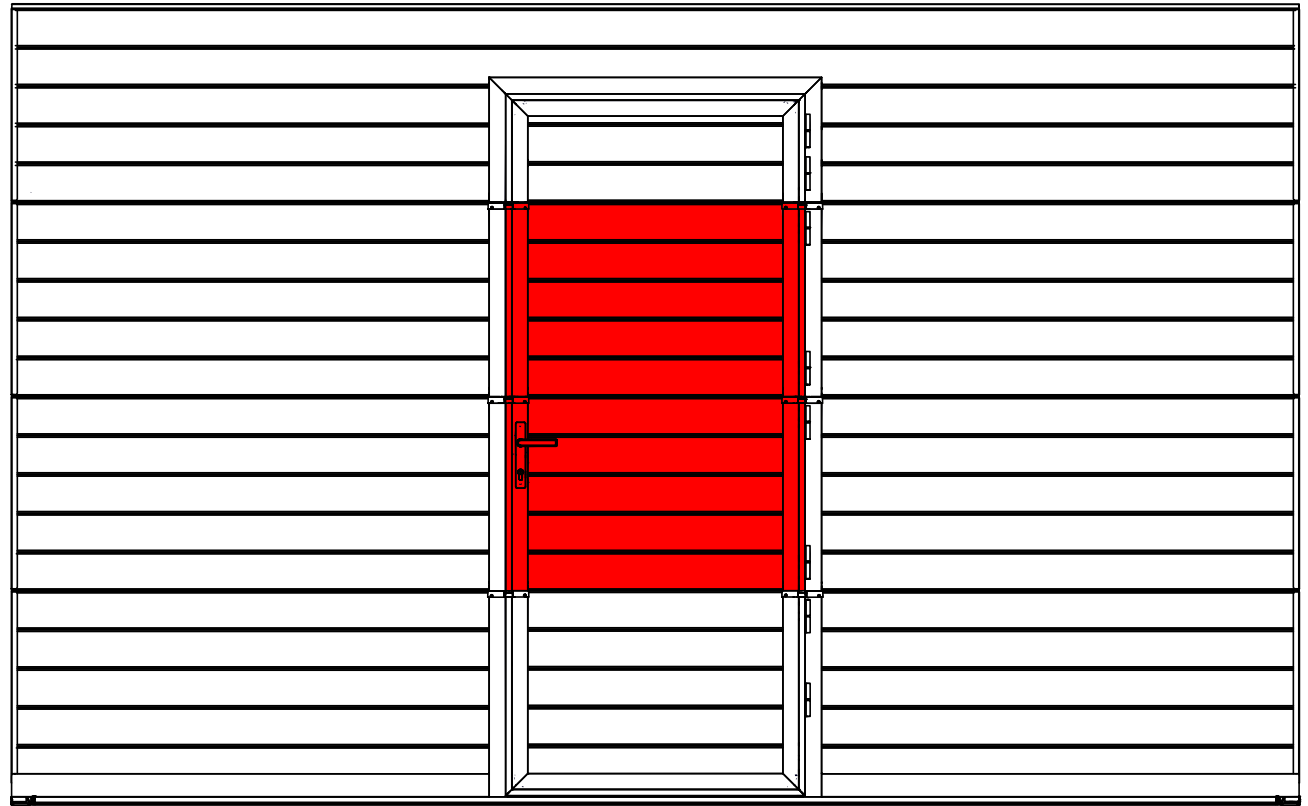


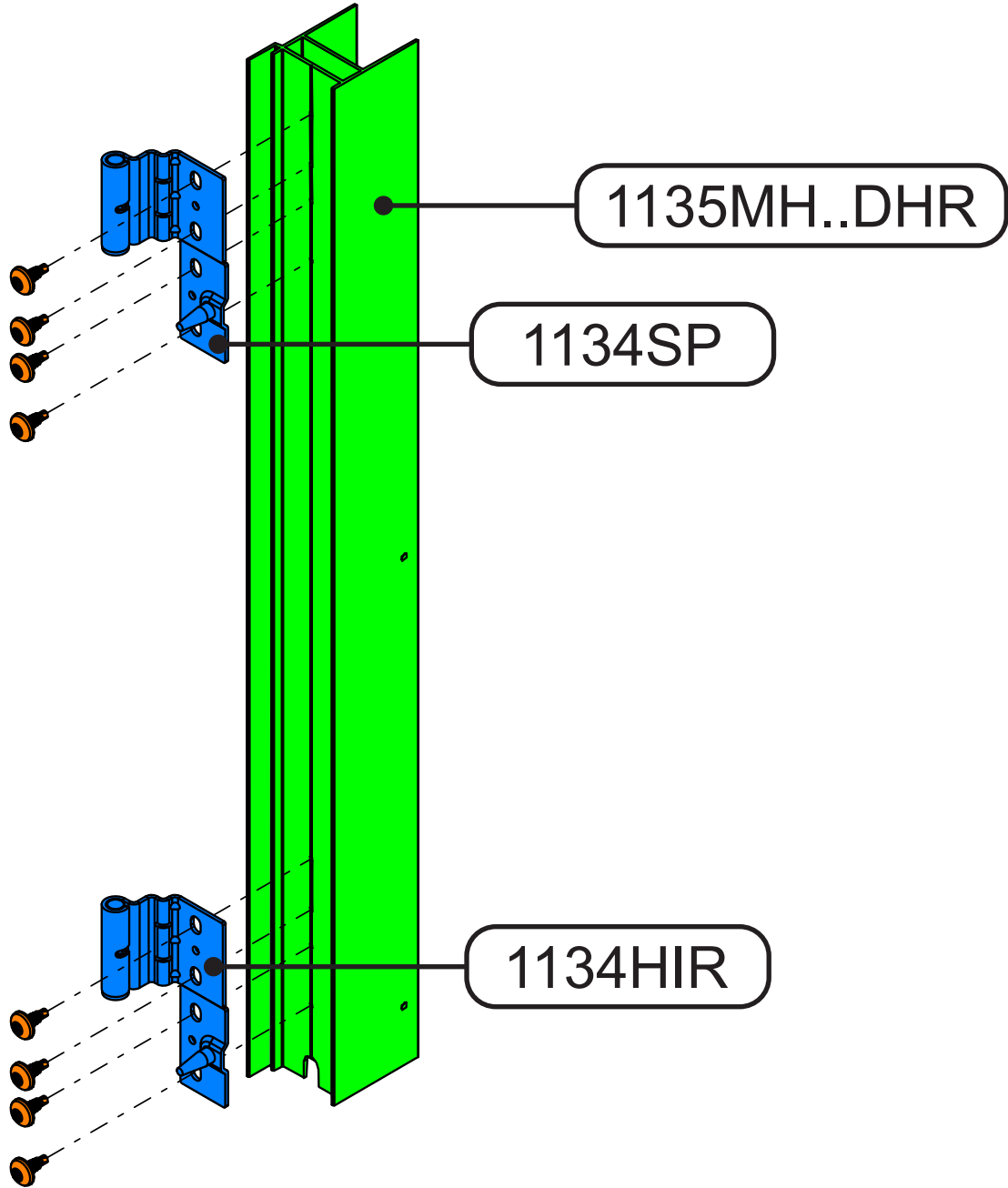
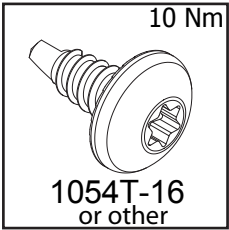
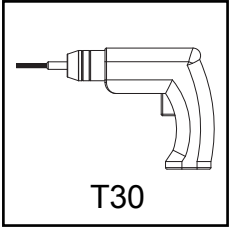
! See optional gauge on page 23

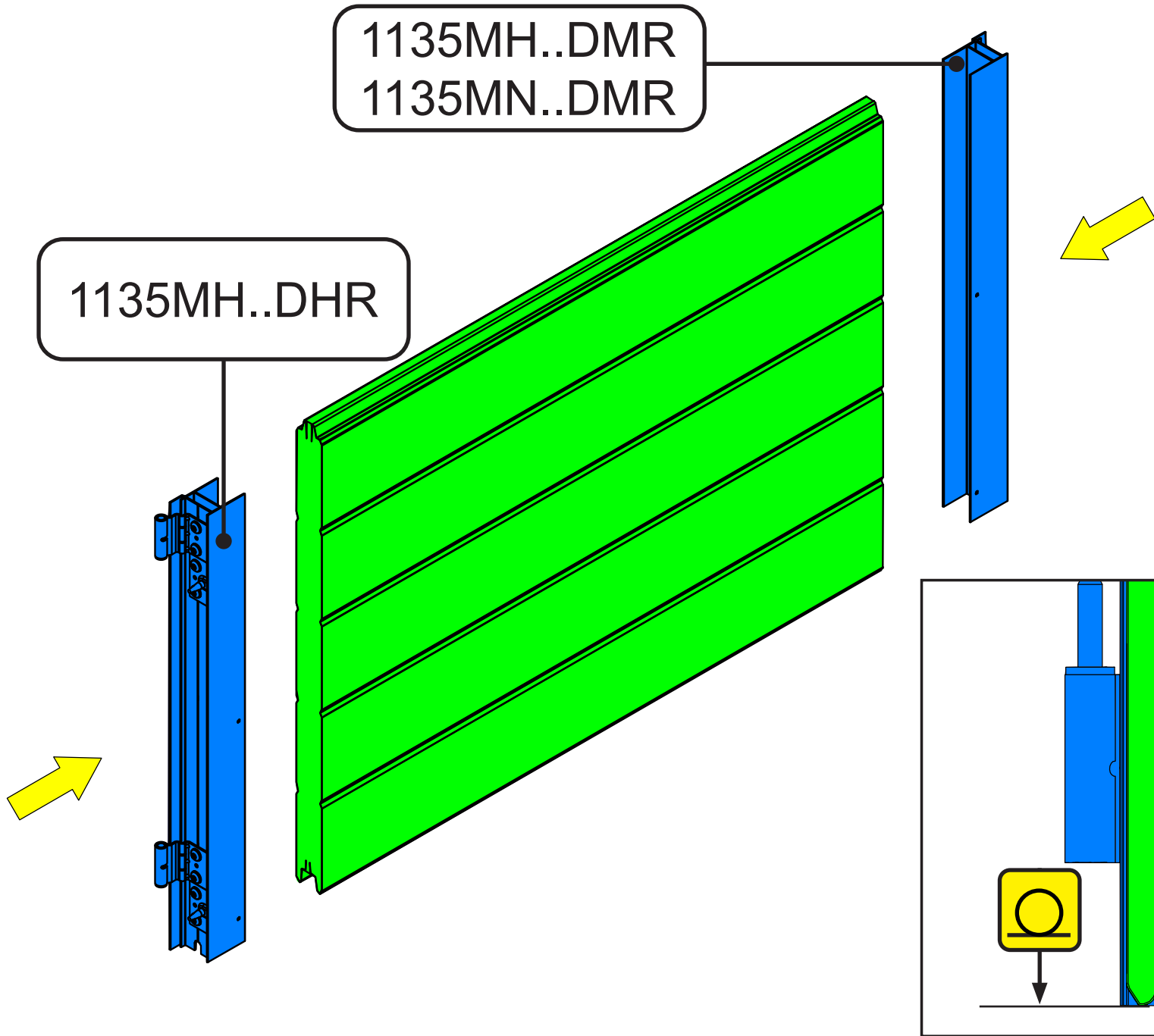


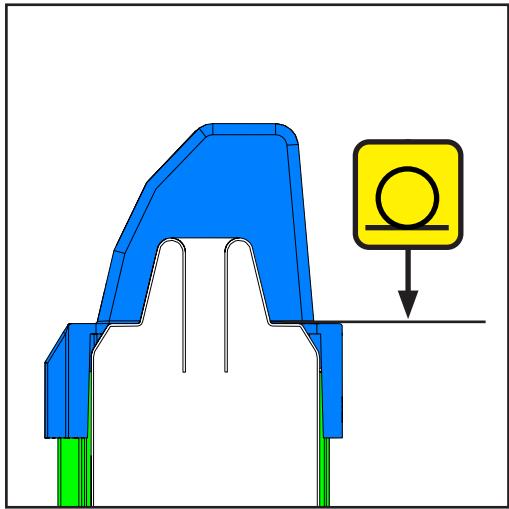
# **FF** Installation manual

## **Door middle sections** assembly instructions

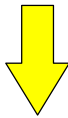




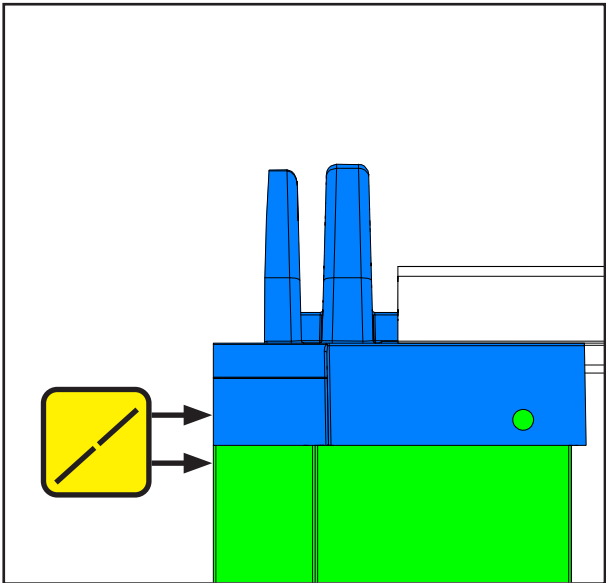
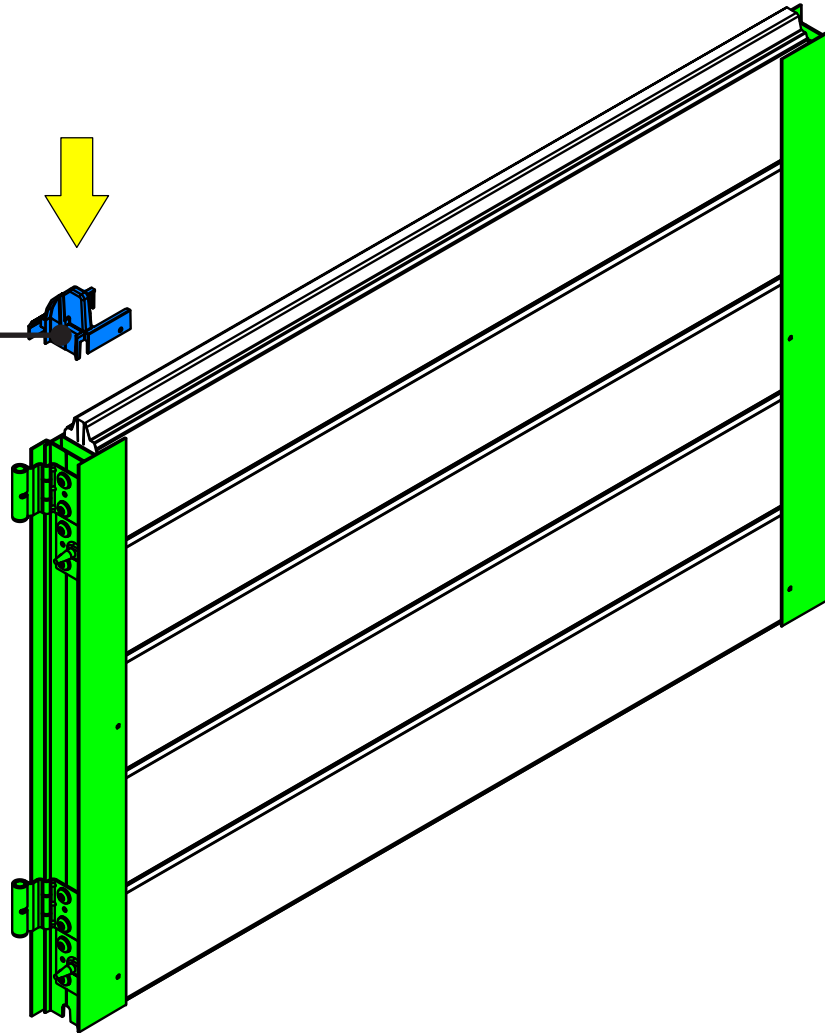
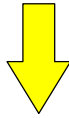


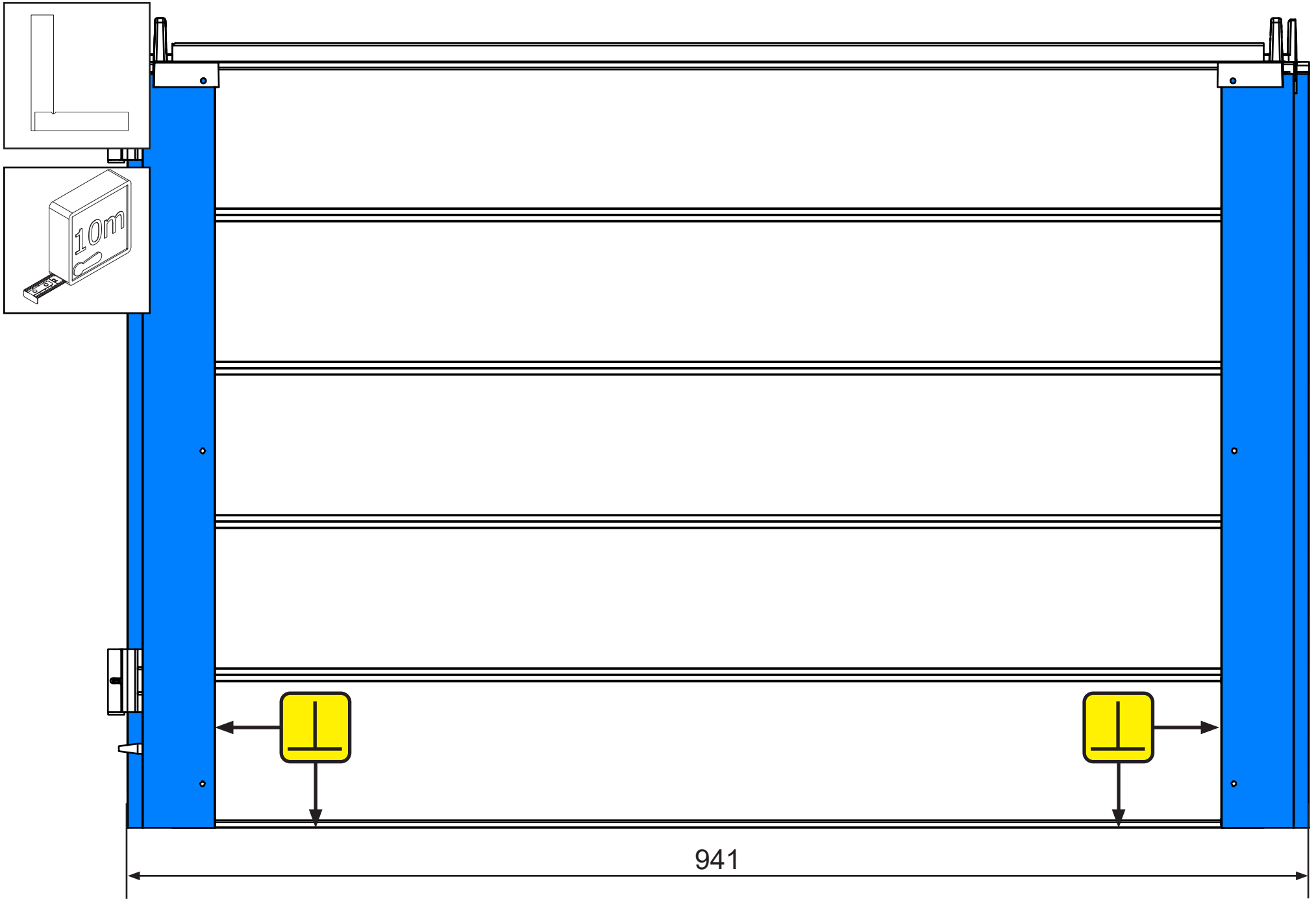


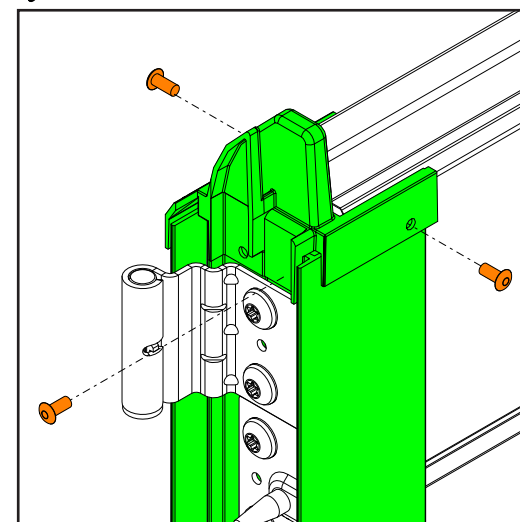
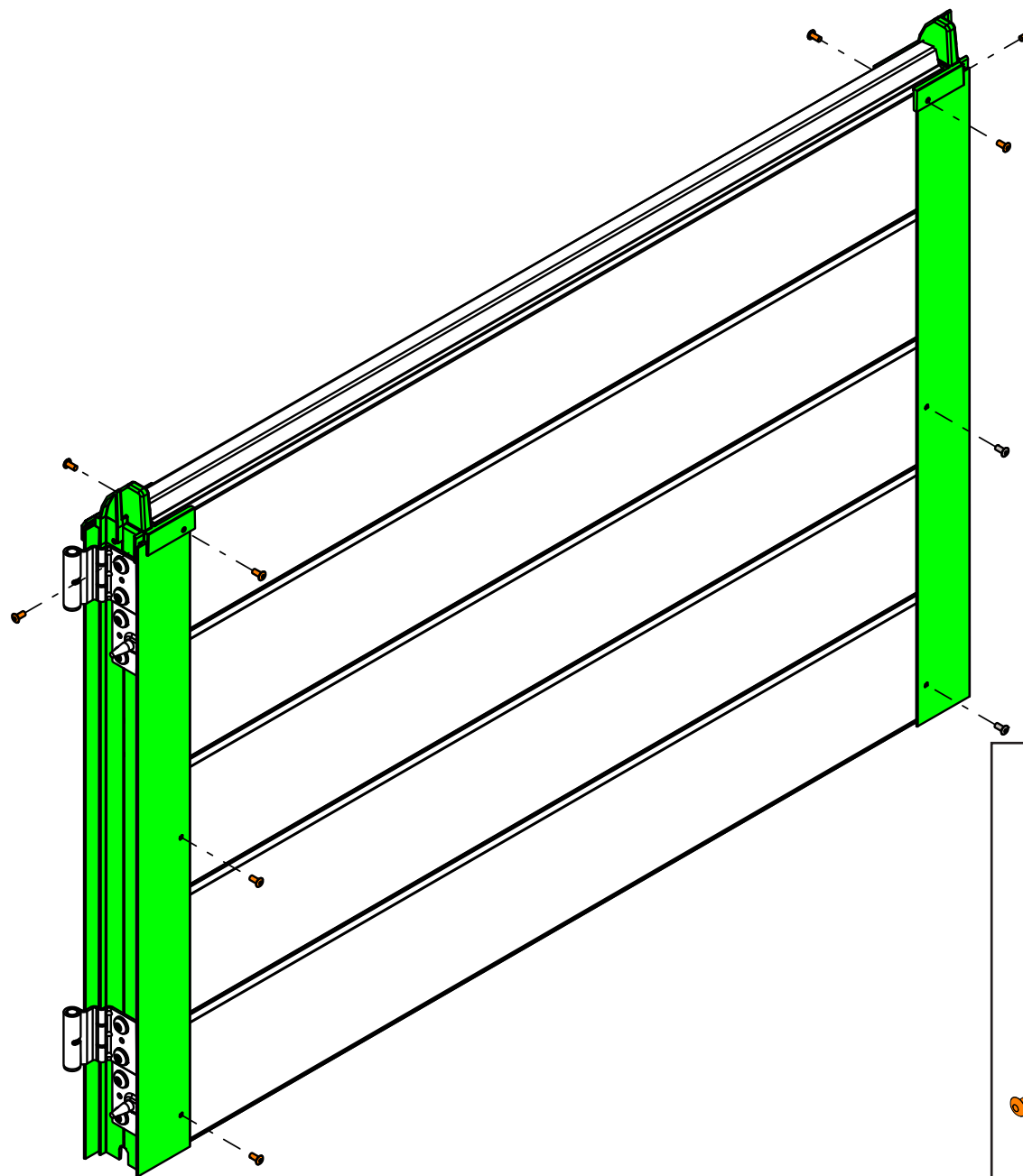
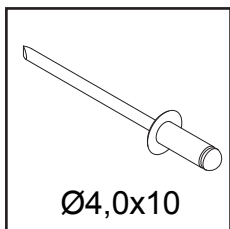
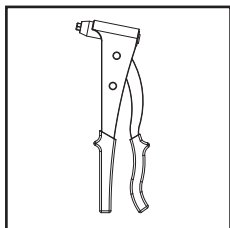
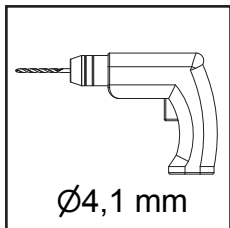
1135-C-DR

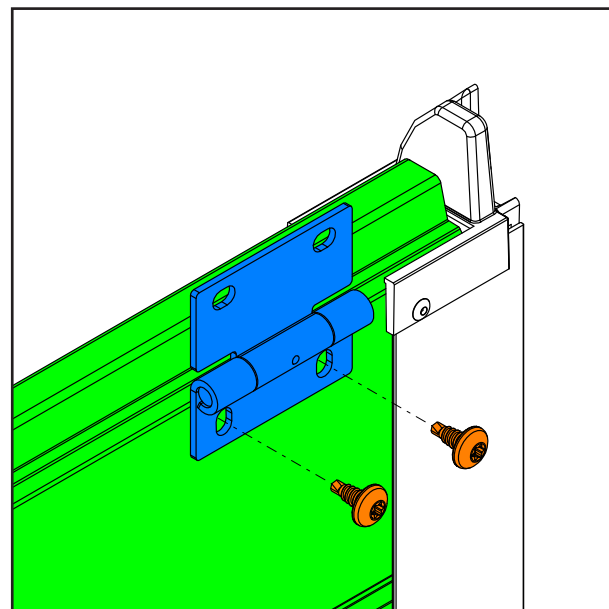
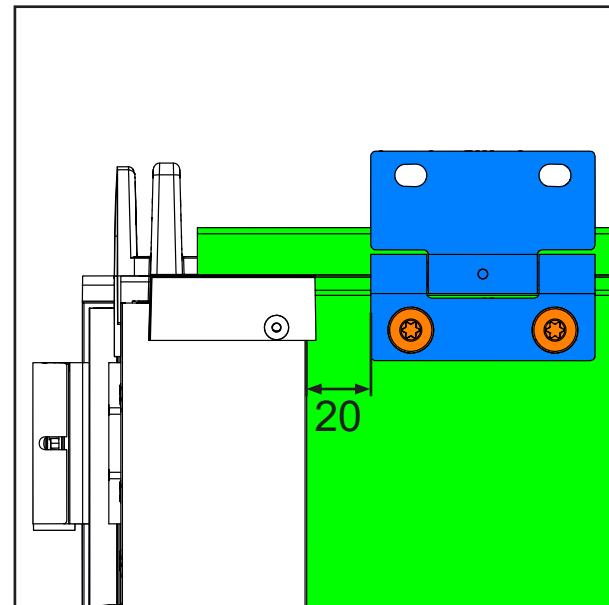
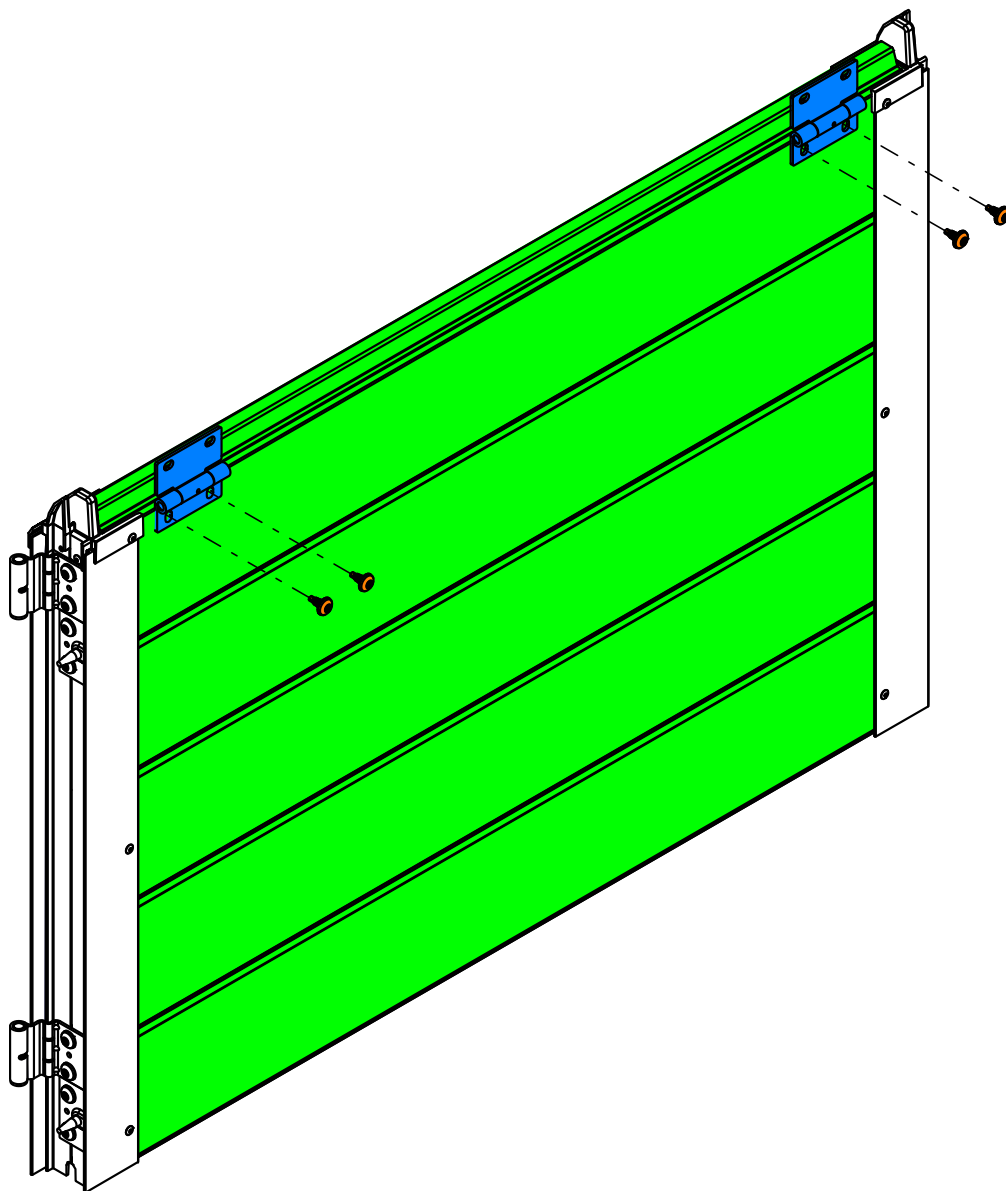
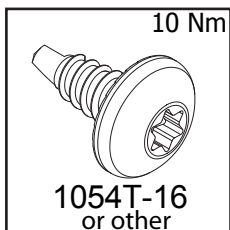
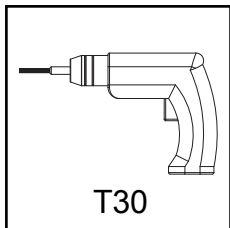


1135-C-DL

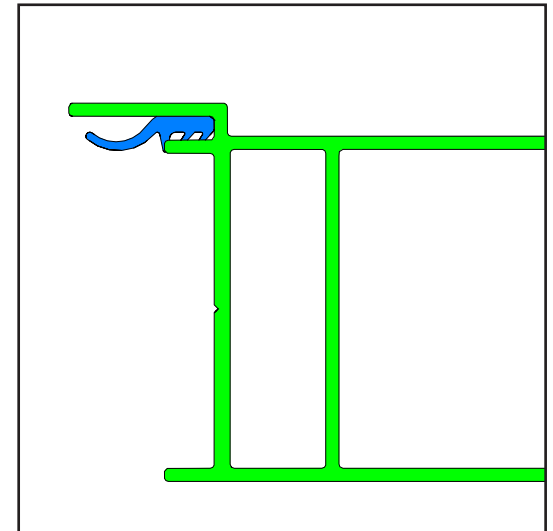
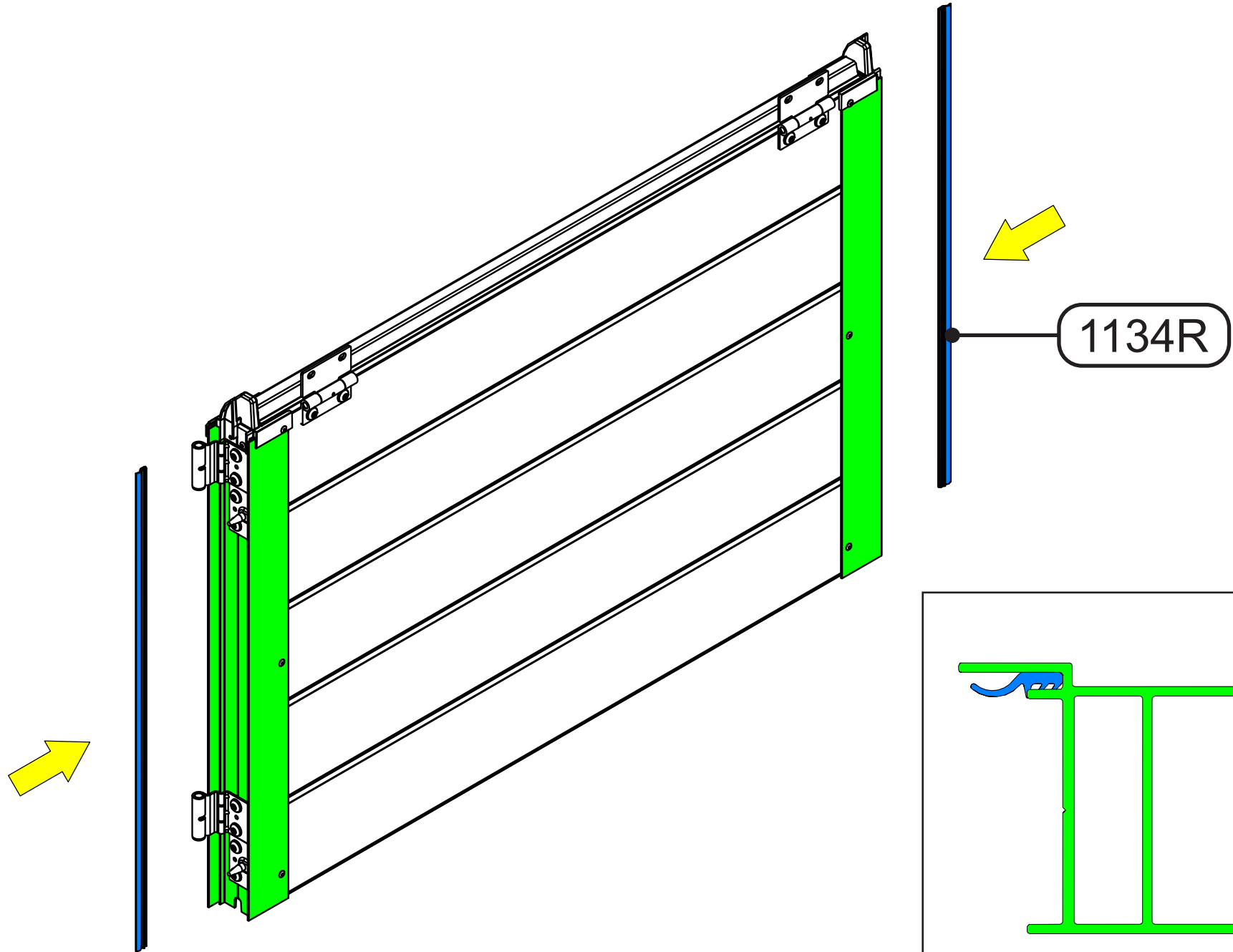
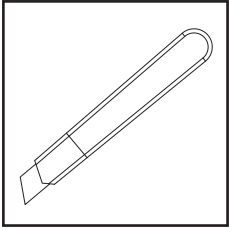








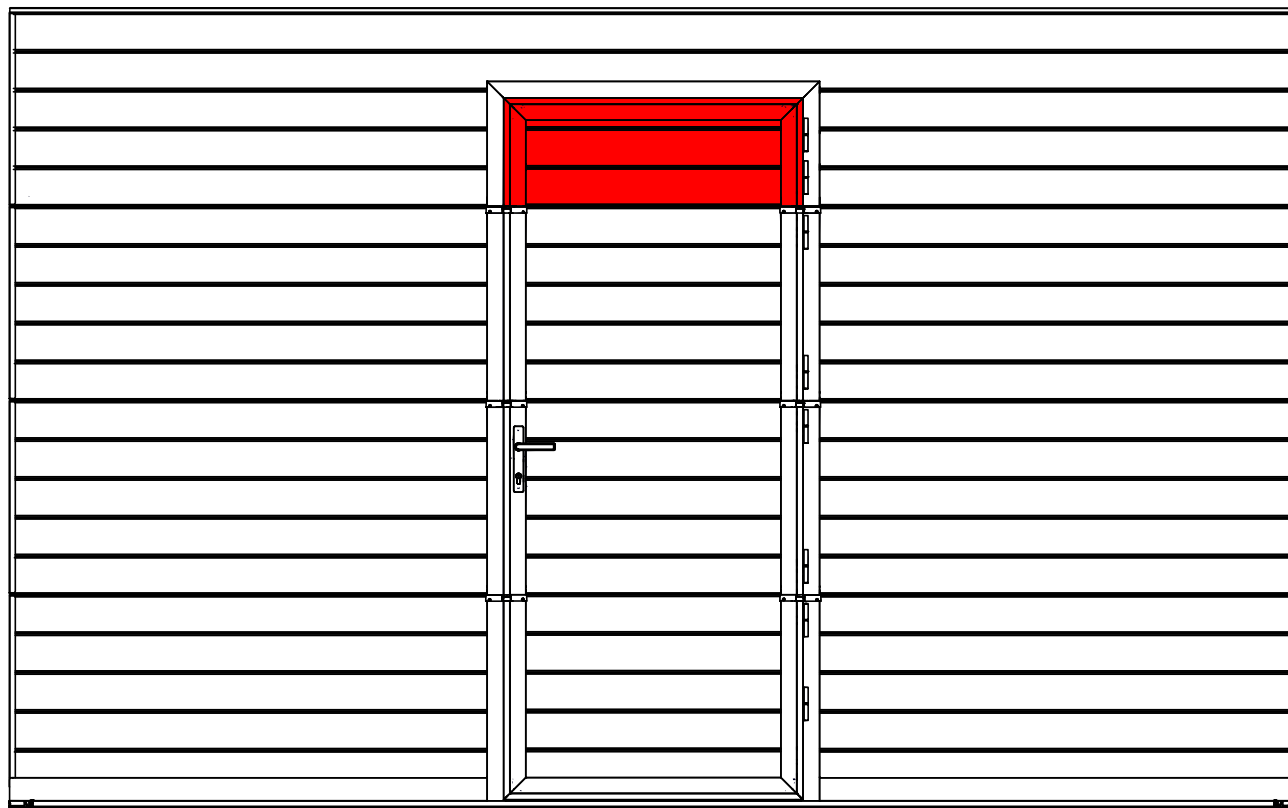
! See optional gauge on page 23

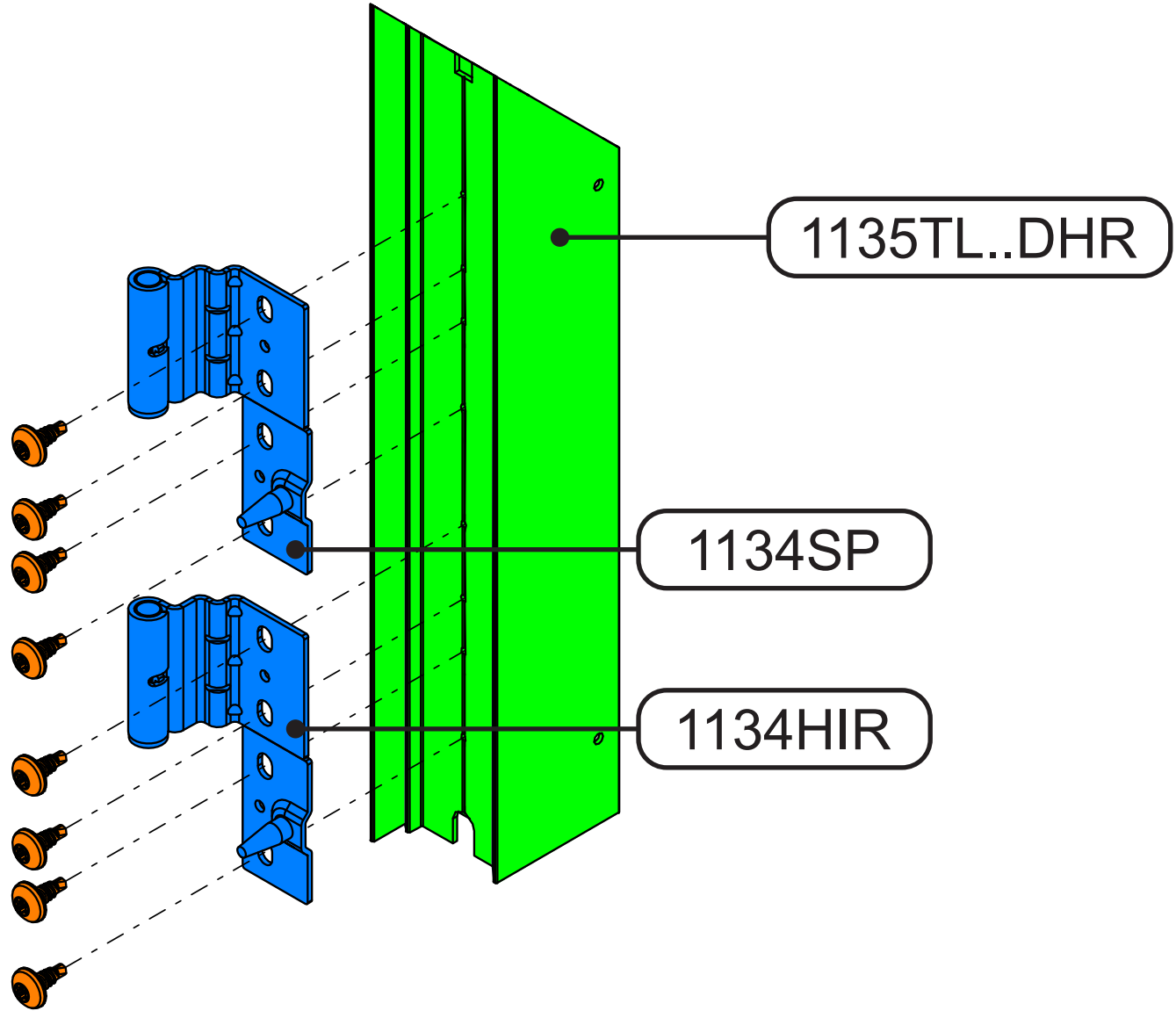
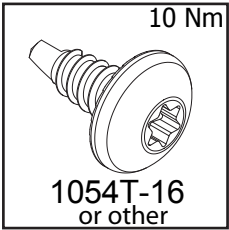
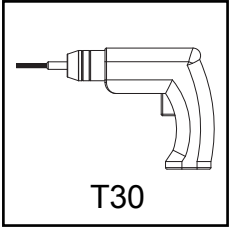


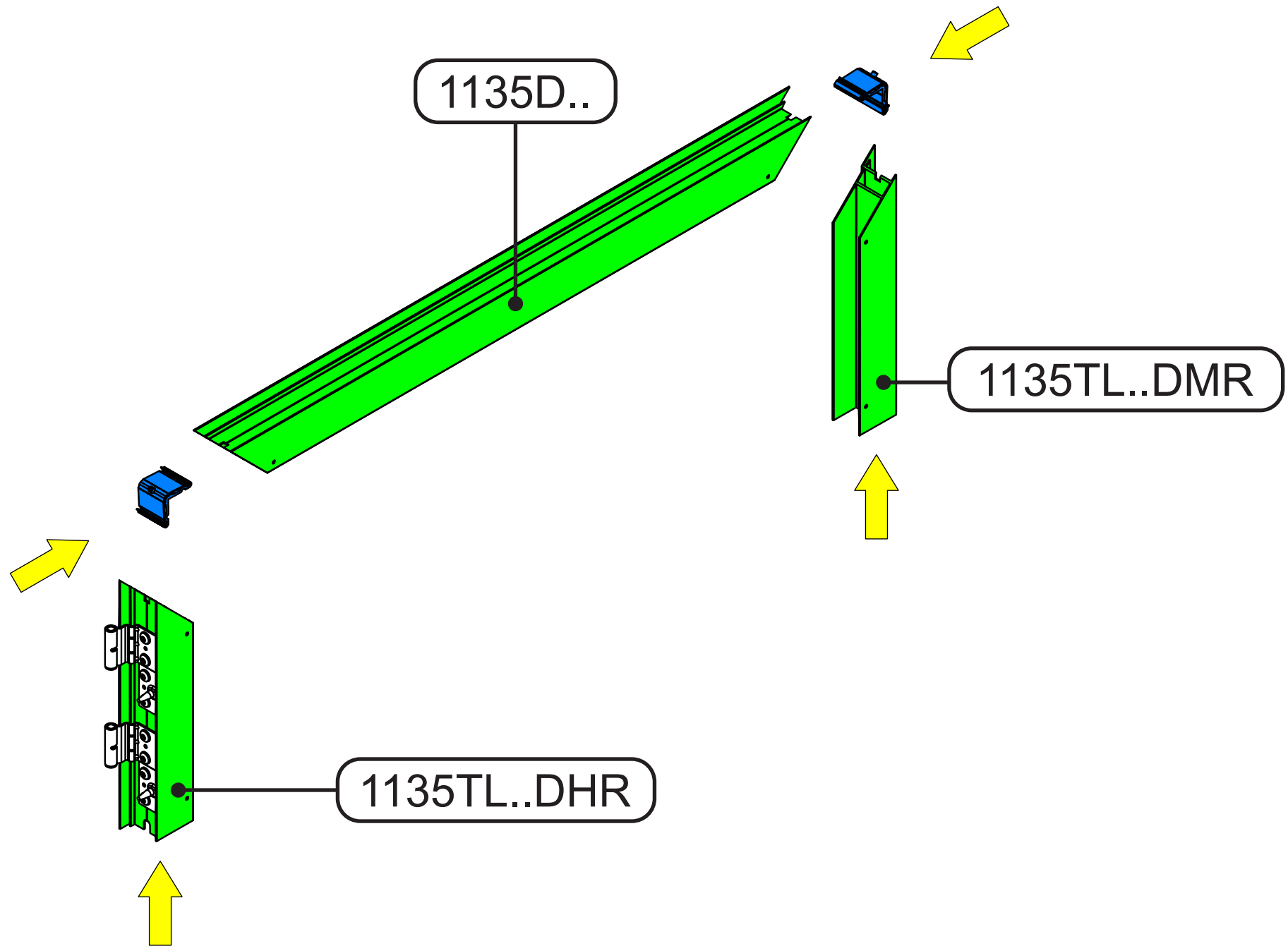


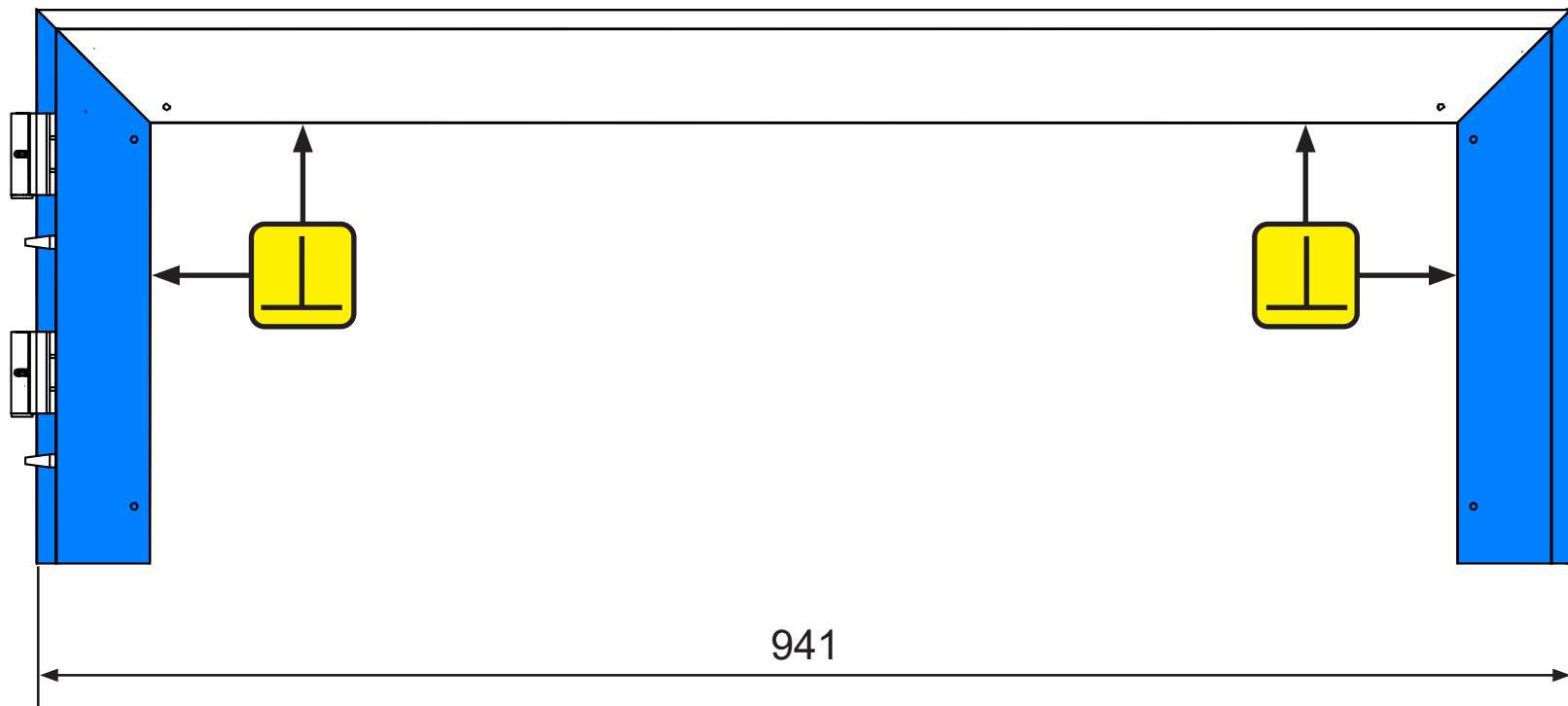
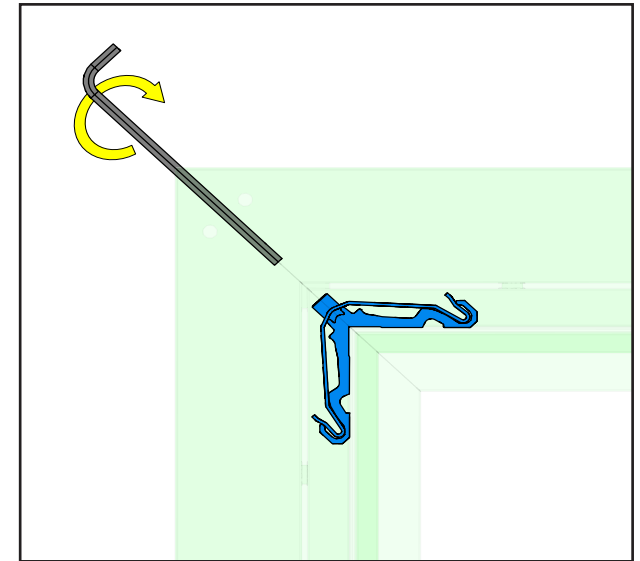
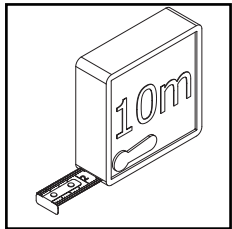
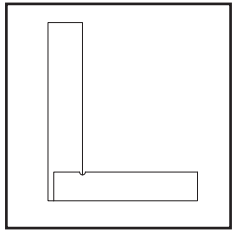
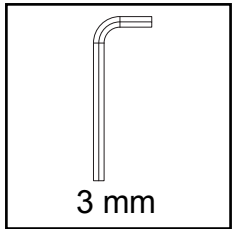
# FF Installation manual

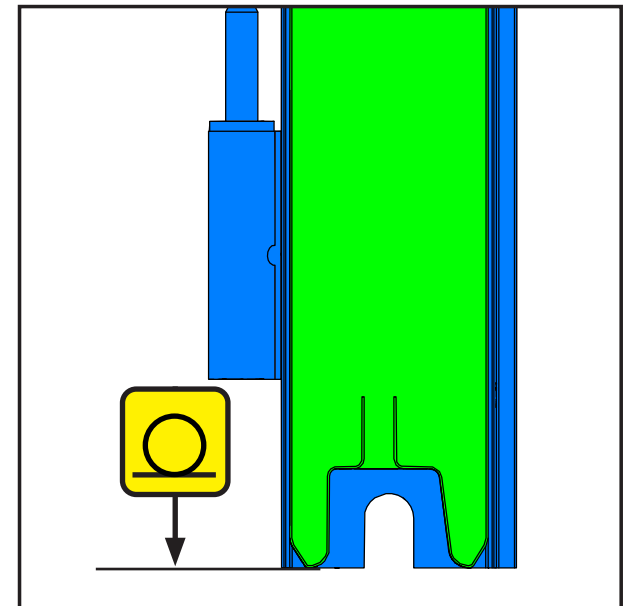
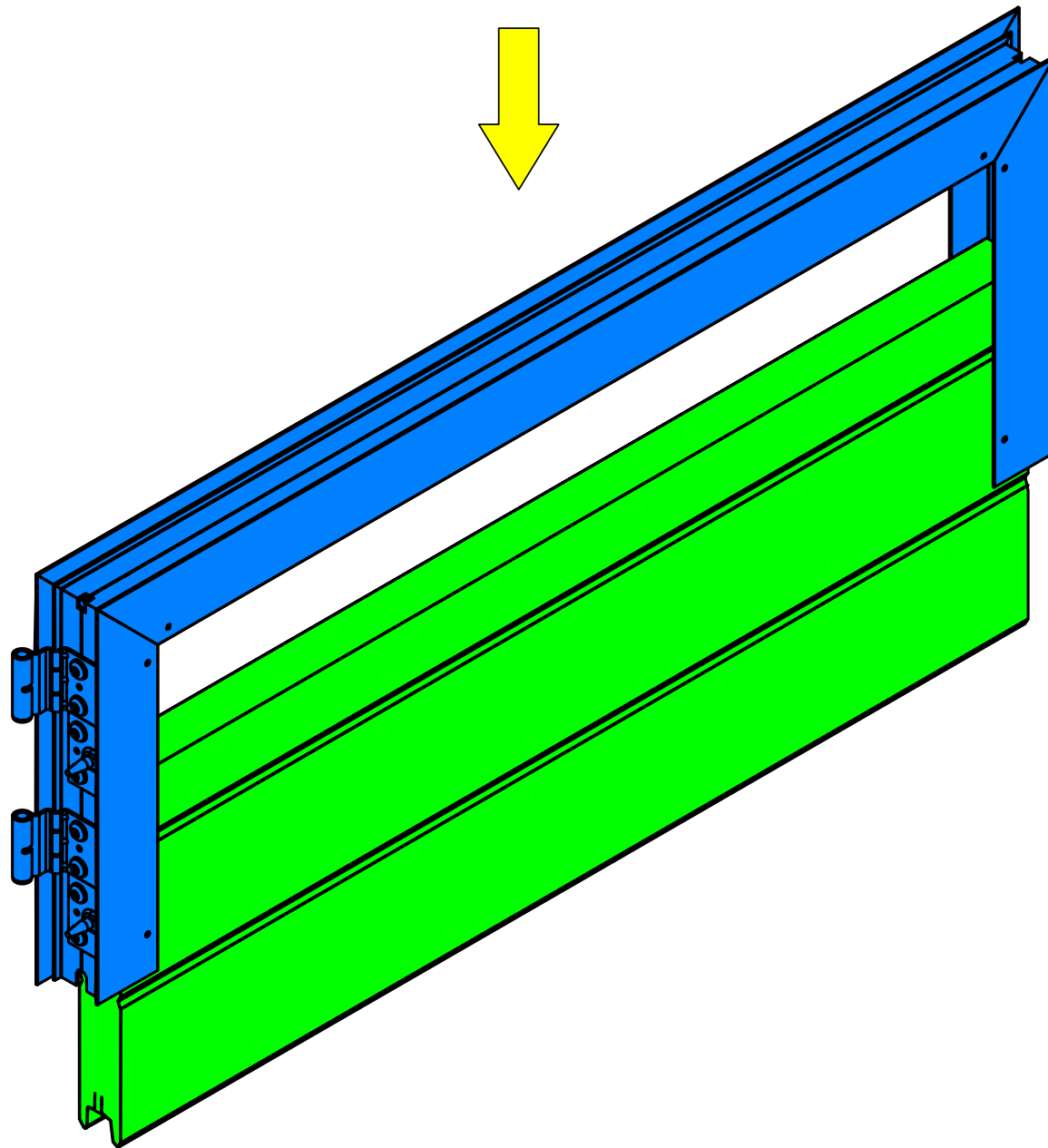
## Door top section assembly instructions

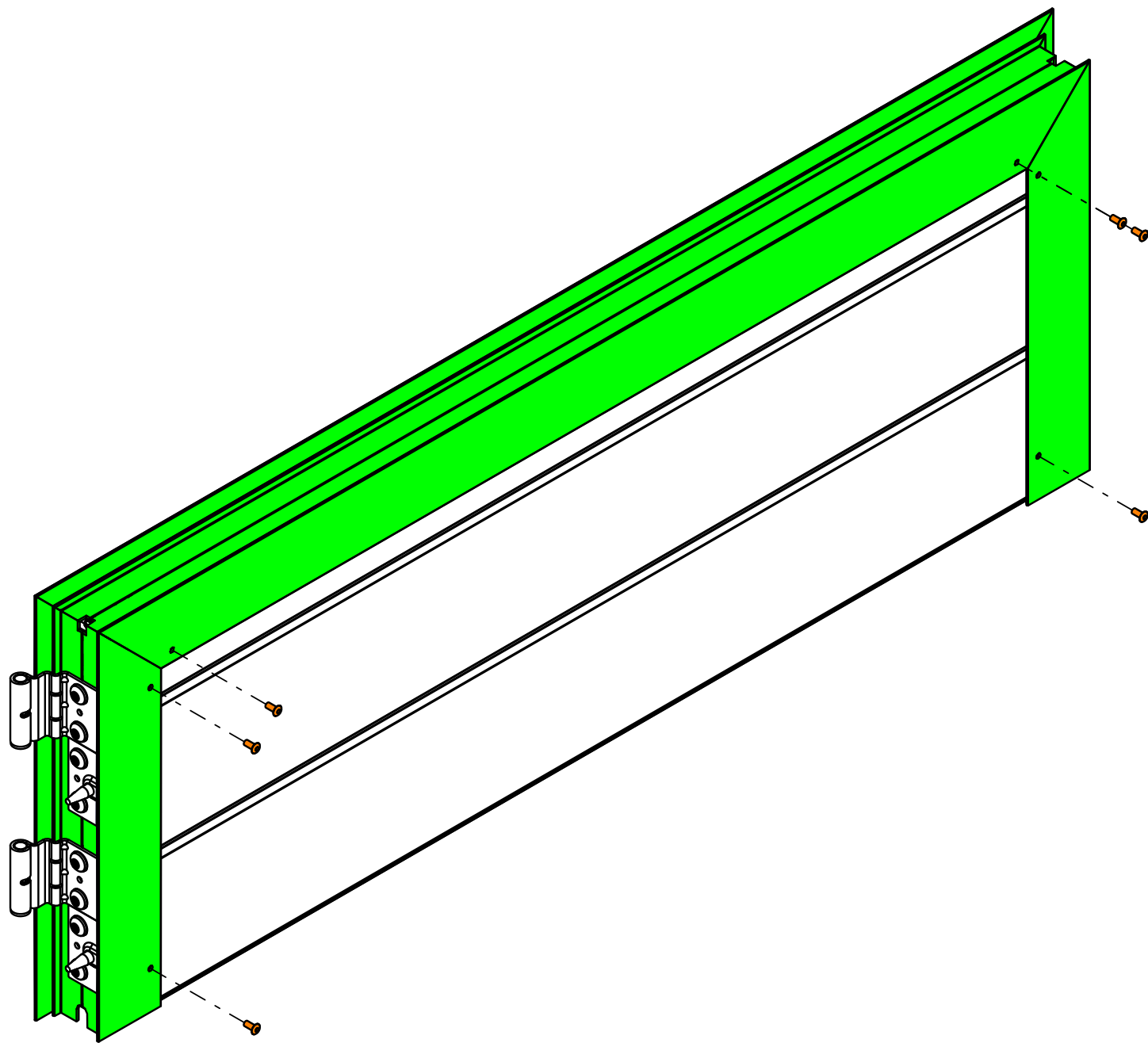
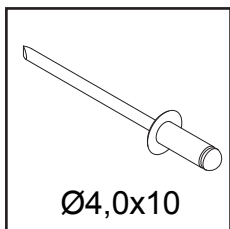
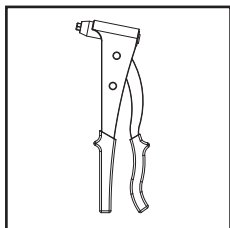
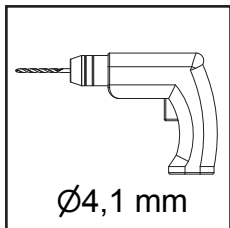


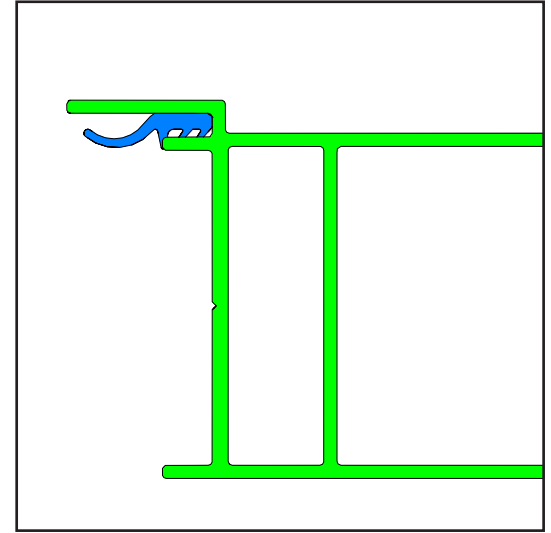
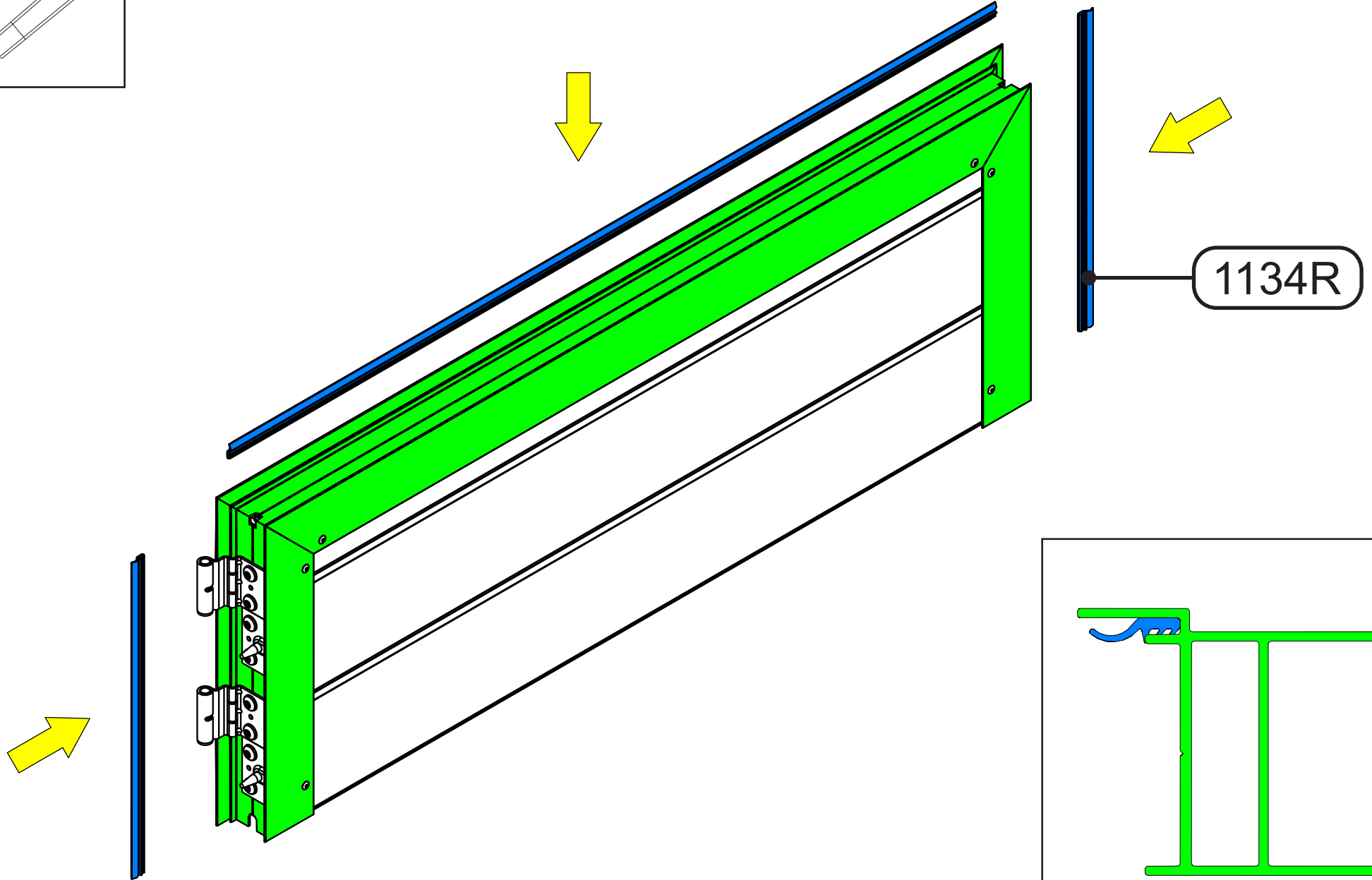
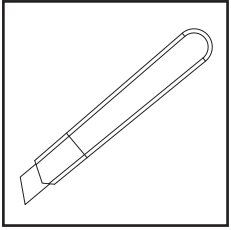












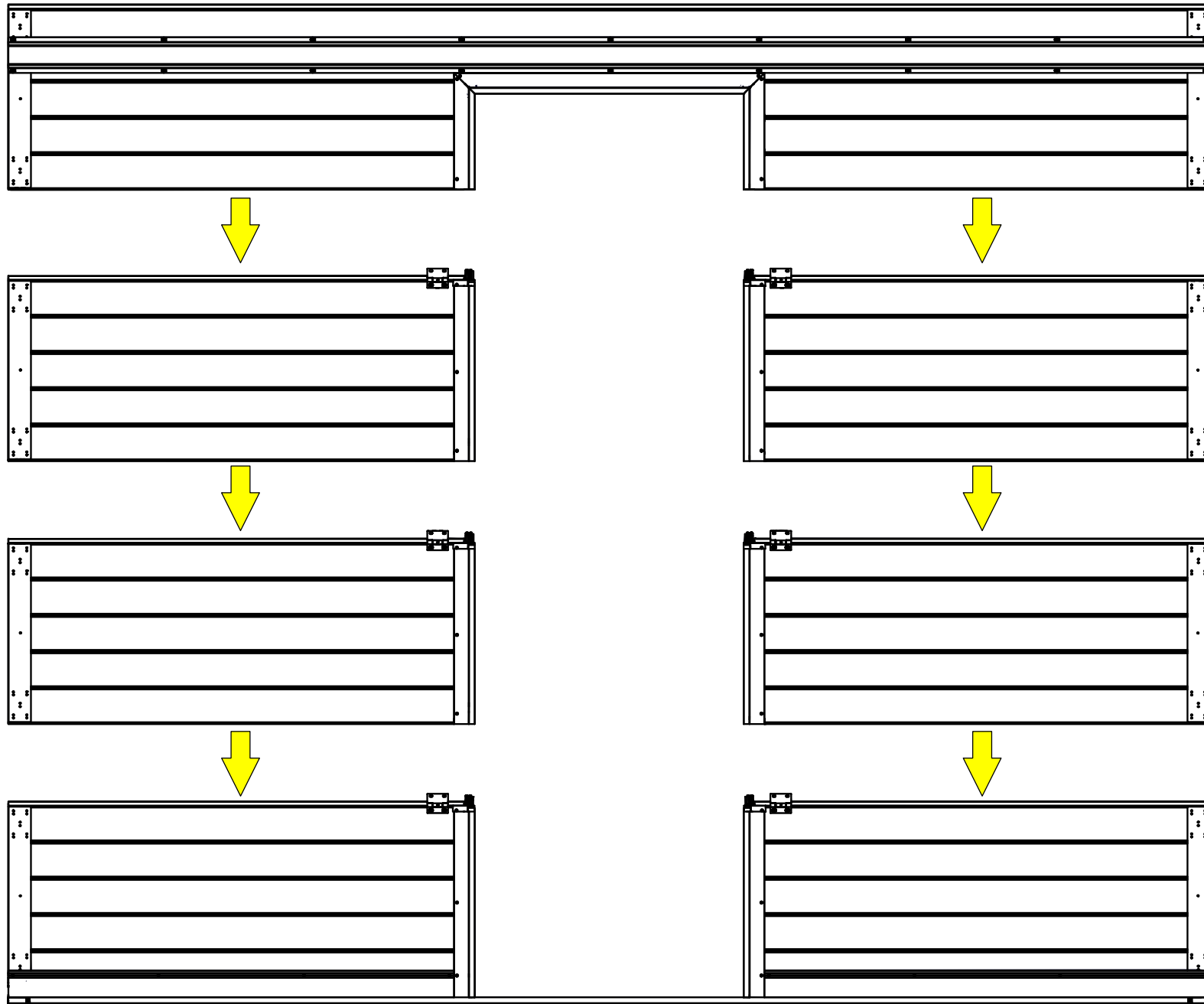
# FF Installation manual

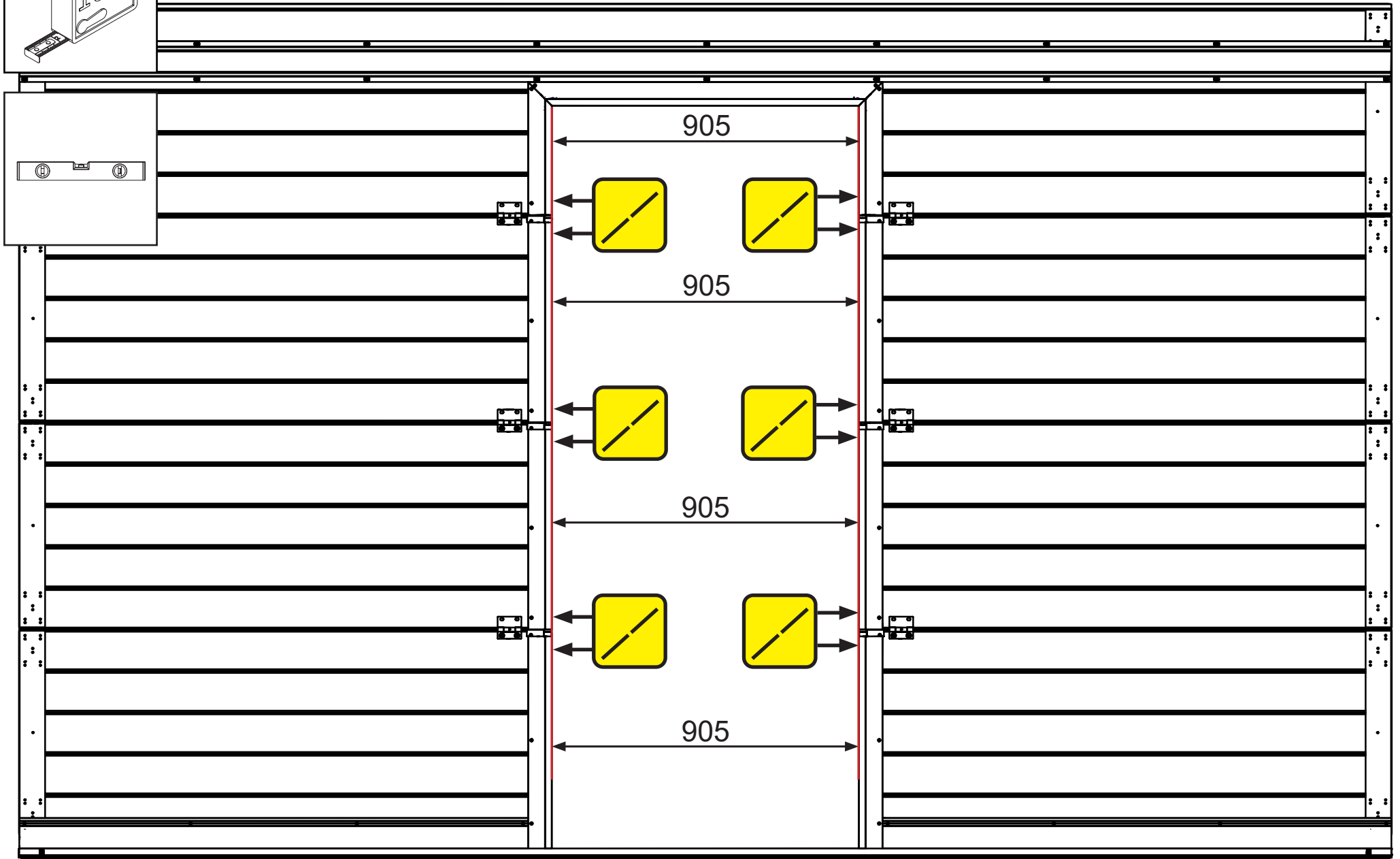
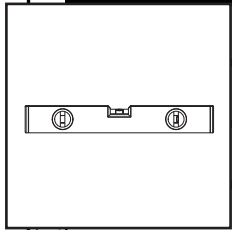
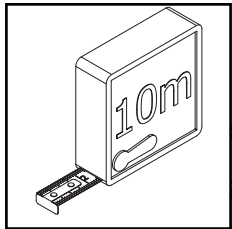
## Frame

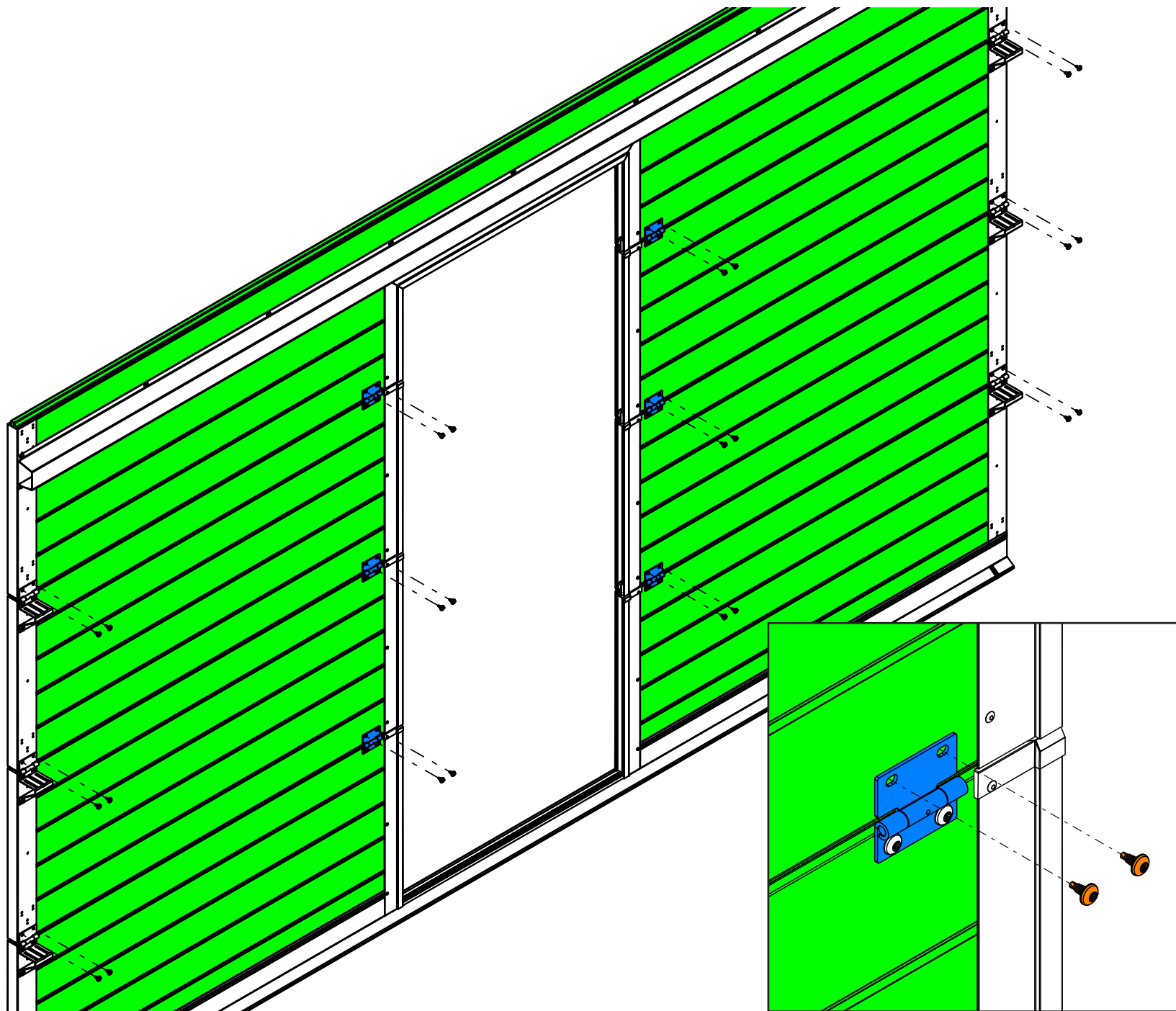
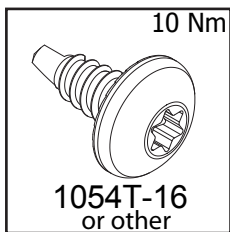
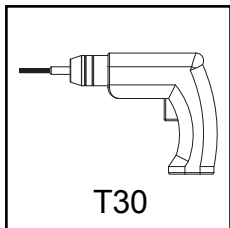
### assembly instructions

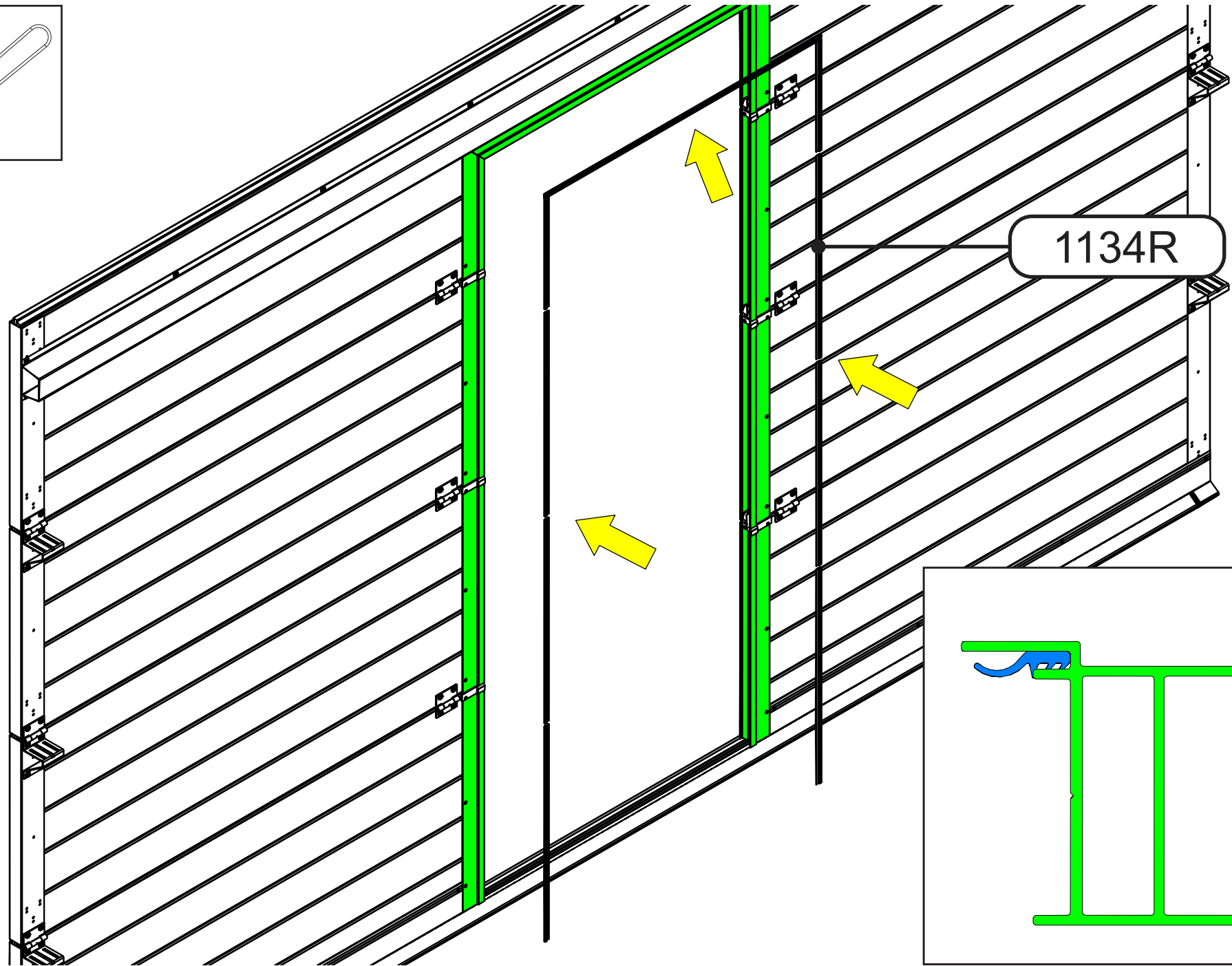
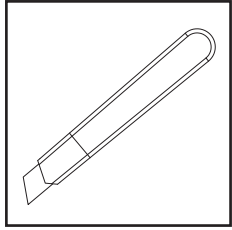




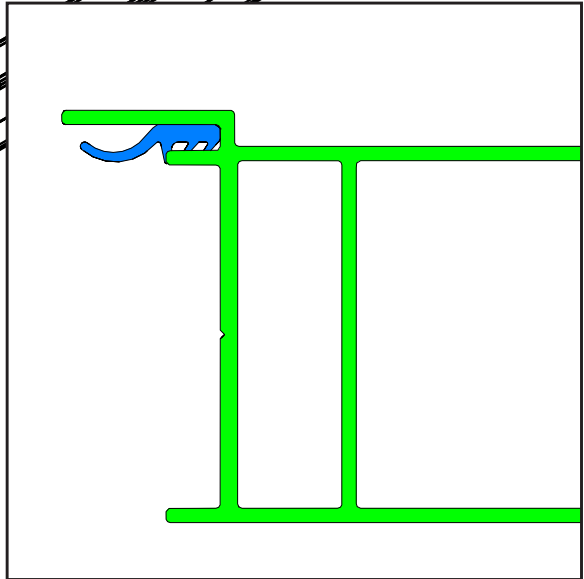


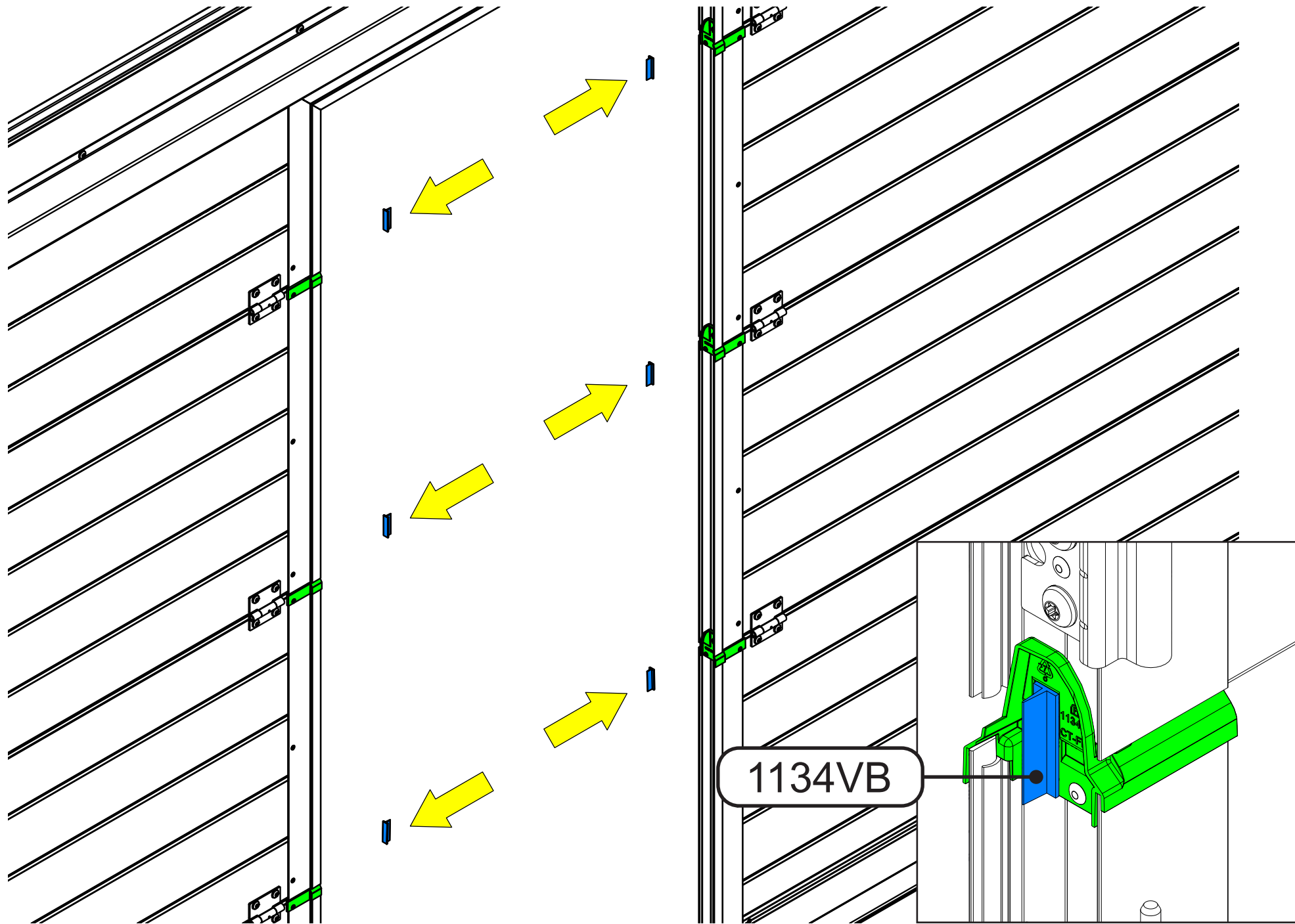






1134R



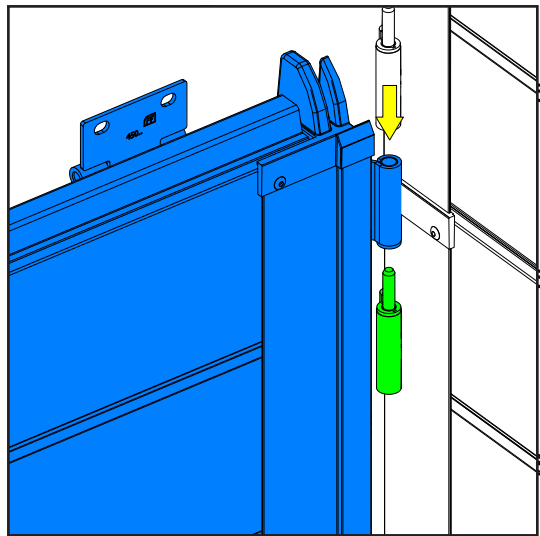


1134VB

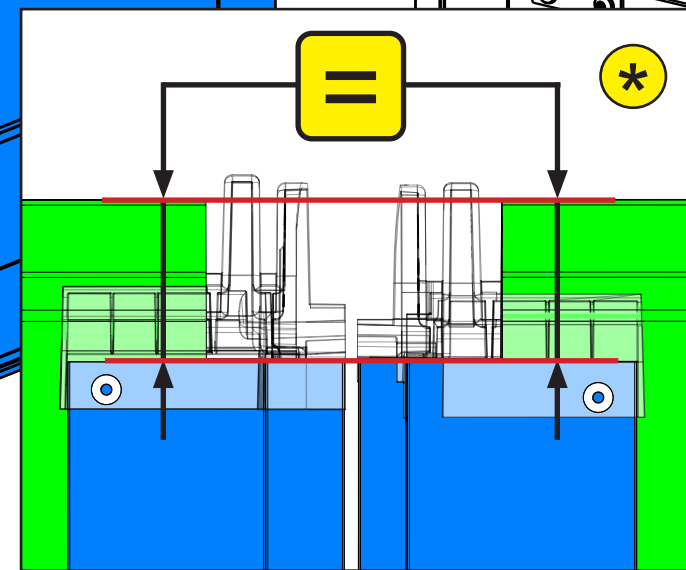
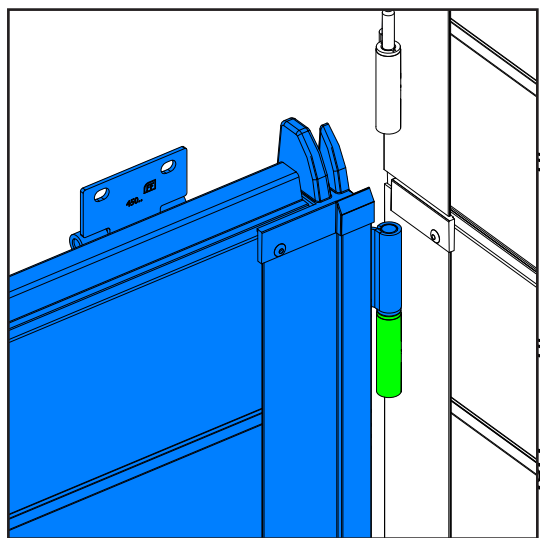
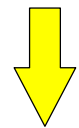
# FF Installation manual

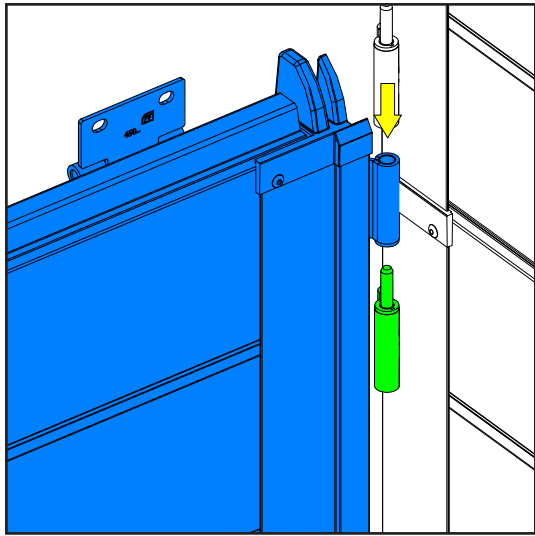
## Door assembly instructions



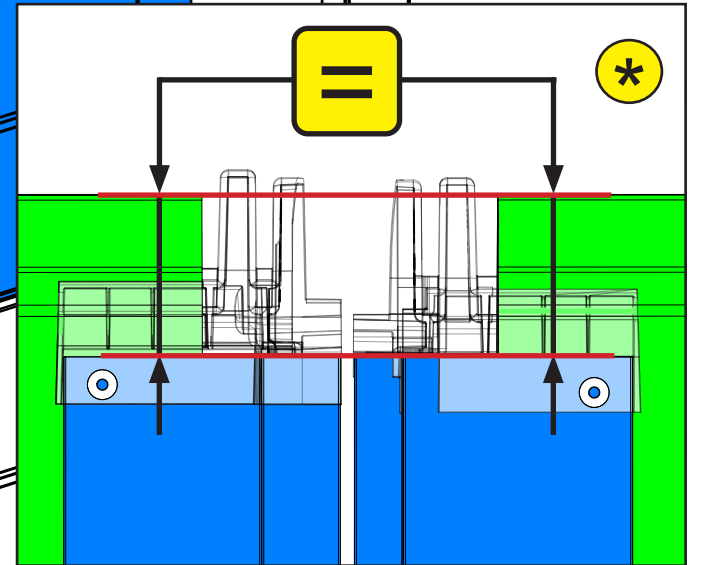
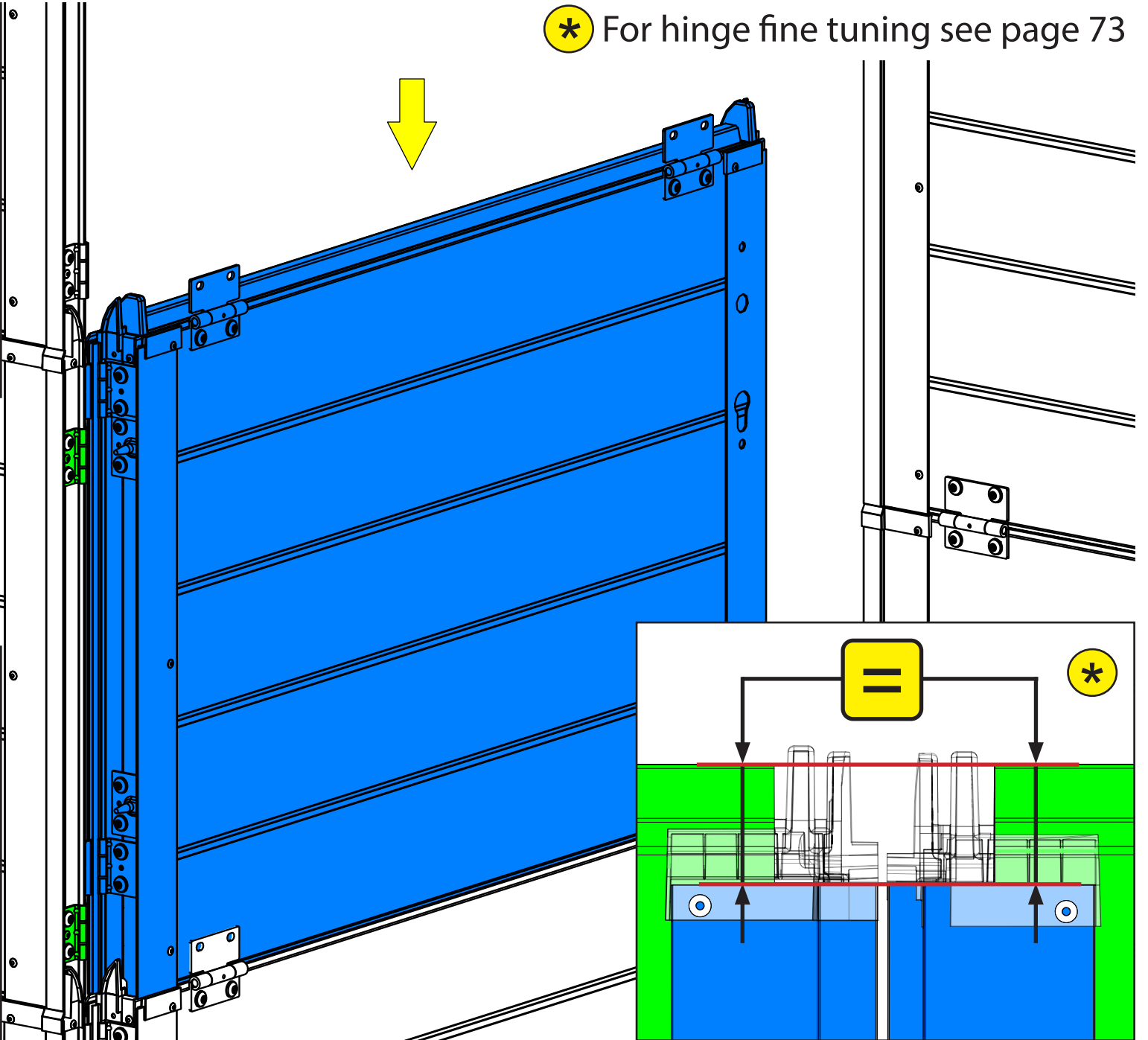
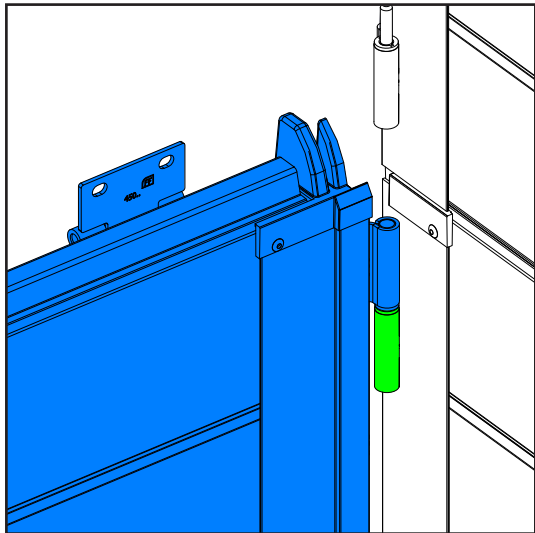
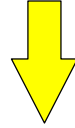


\* For hinge fine tuning see page 75

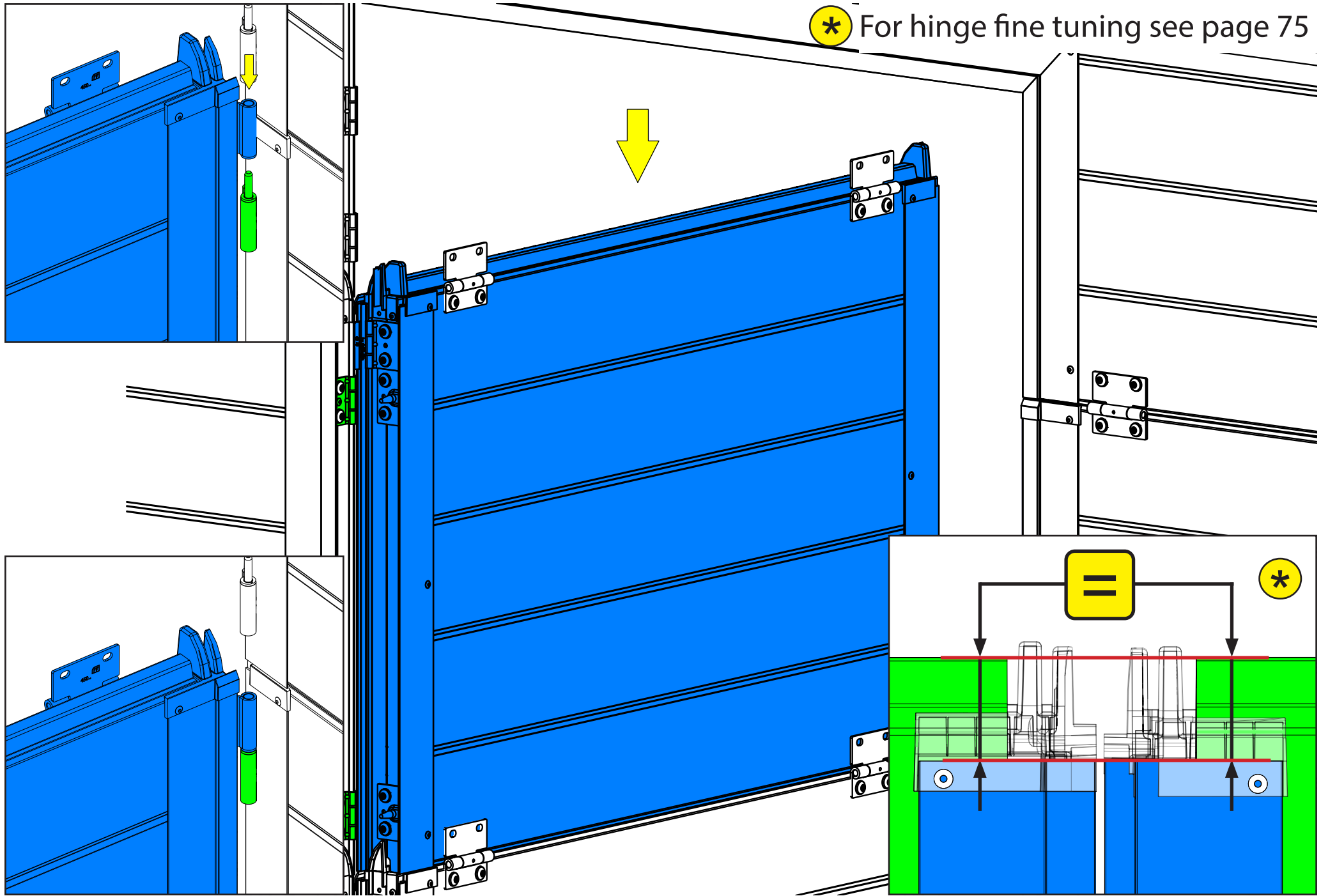




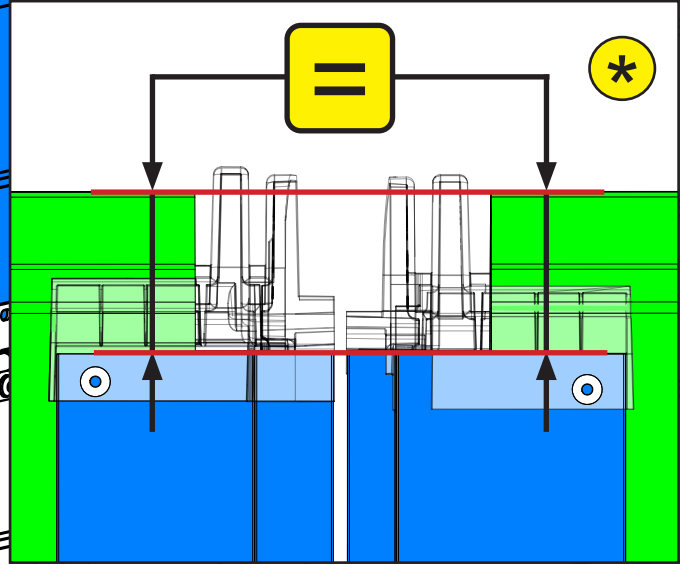
\* For hinge fine tuning see page 73

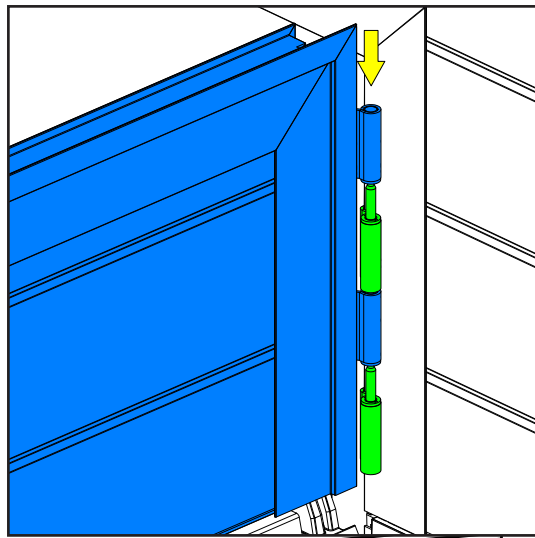




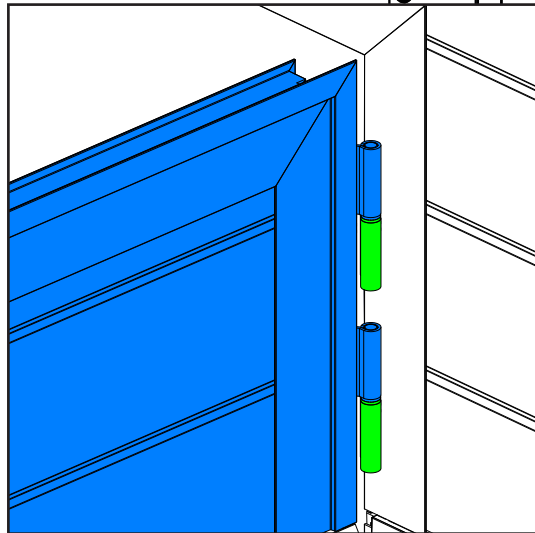
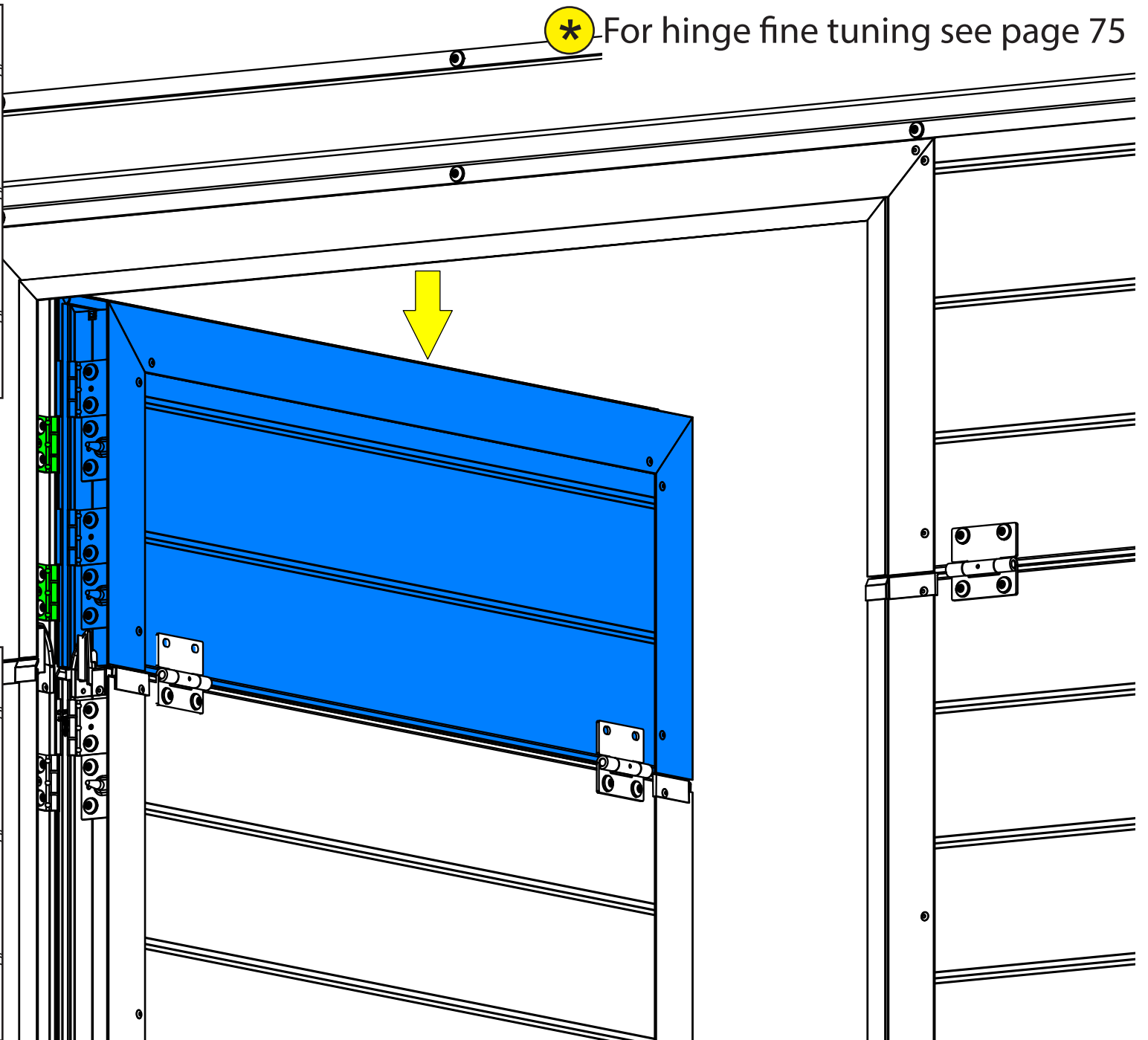


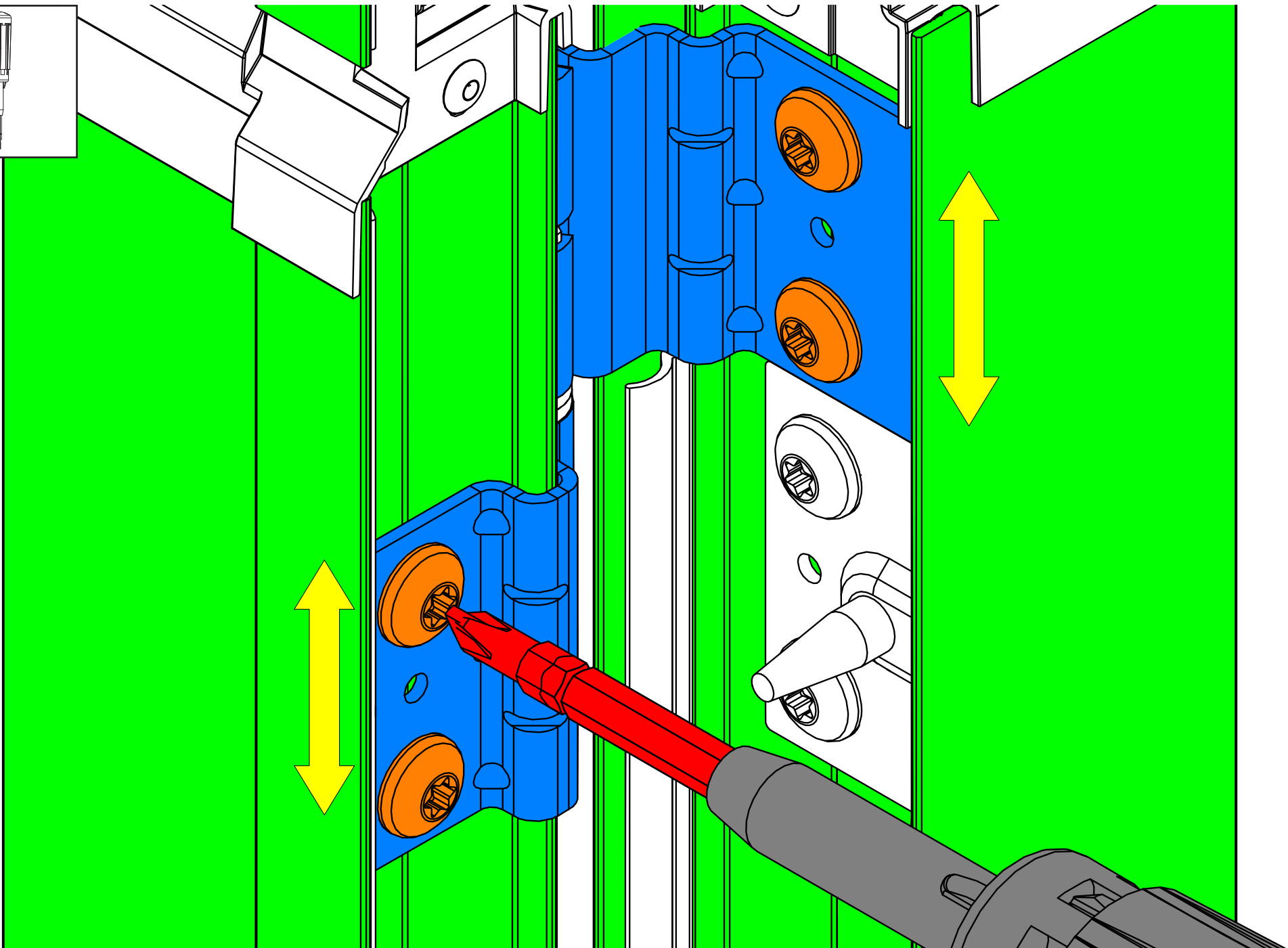
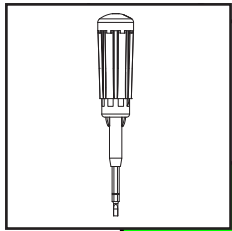
\* For hinge fine tuning see page 75

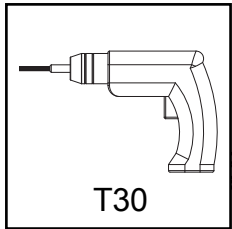




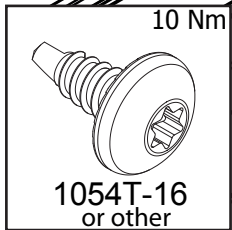
\* For hinge fine tuning see page 75





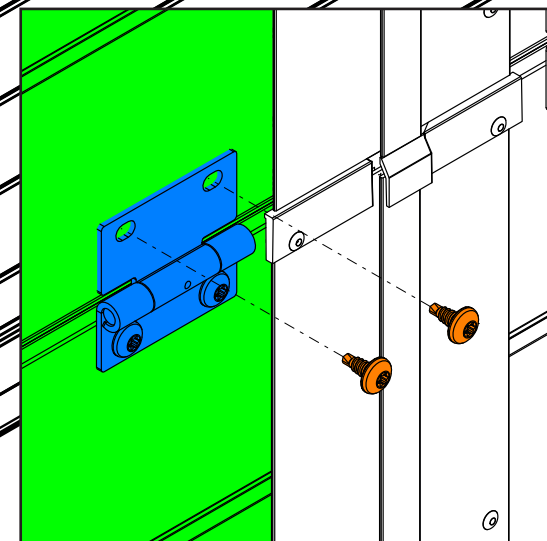
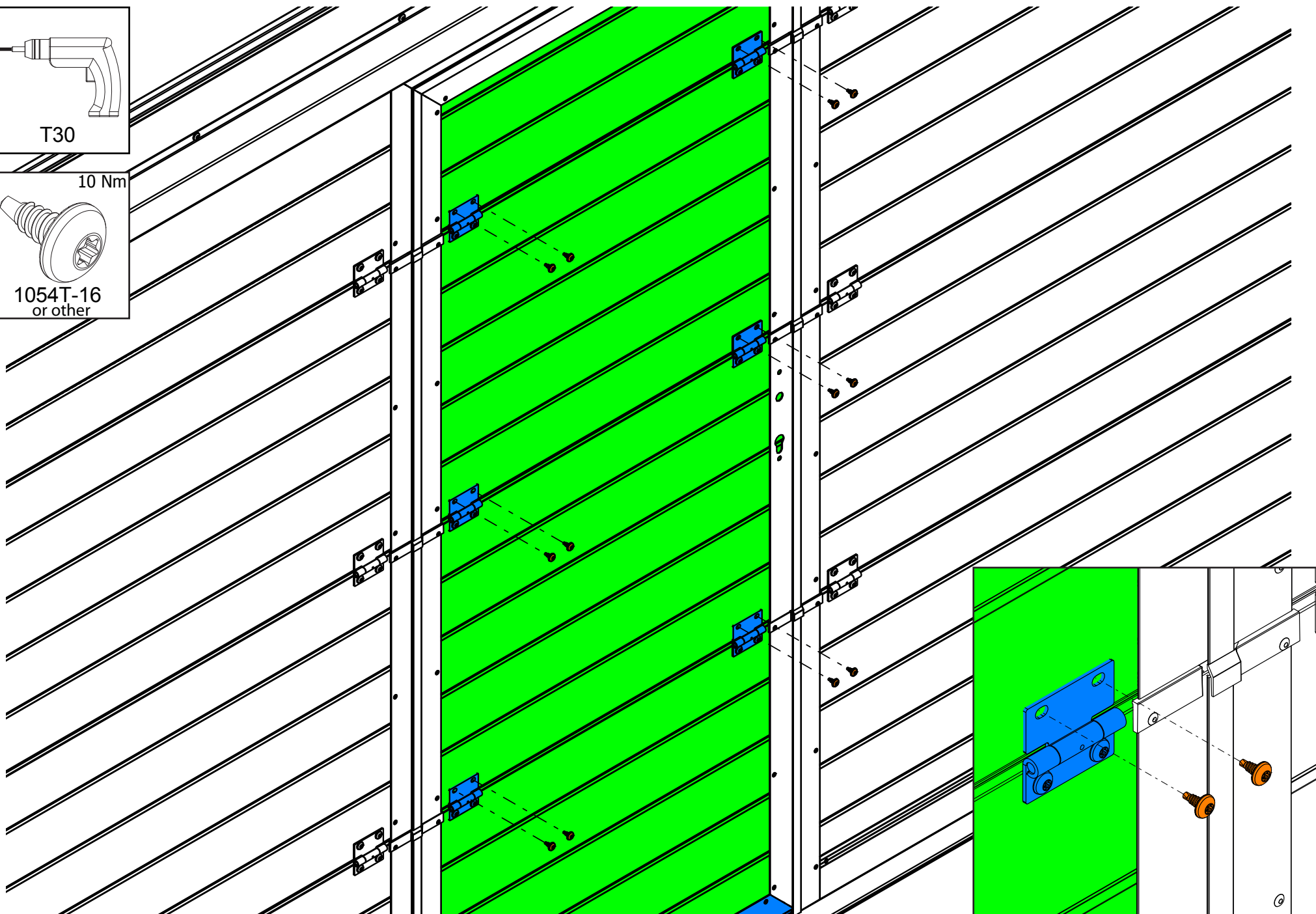


T30



10 Nm

1054T-16  
or other



# **FF** Installation manual

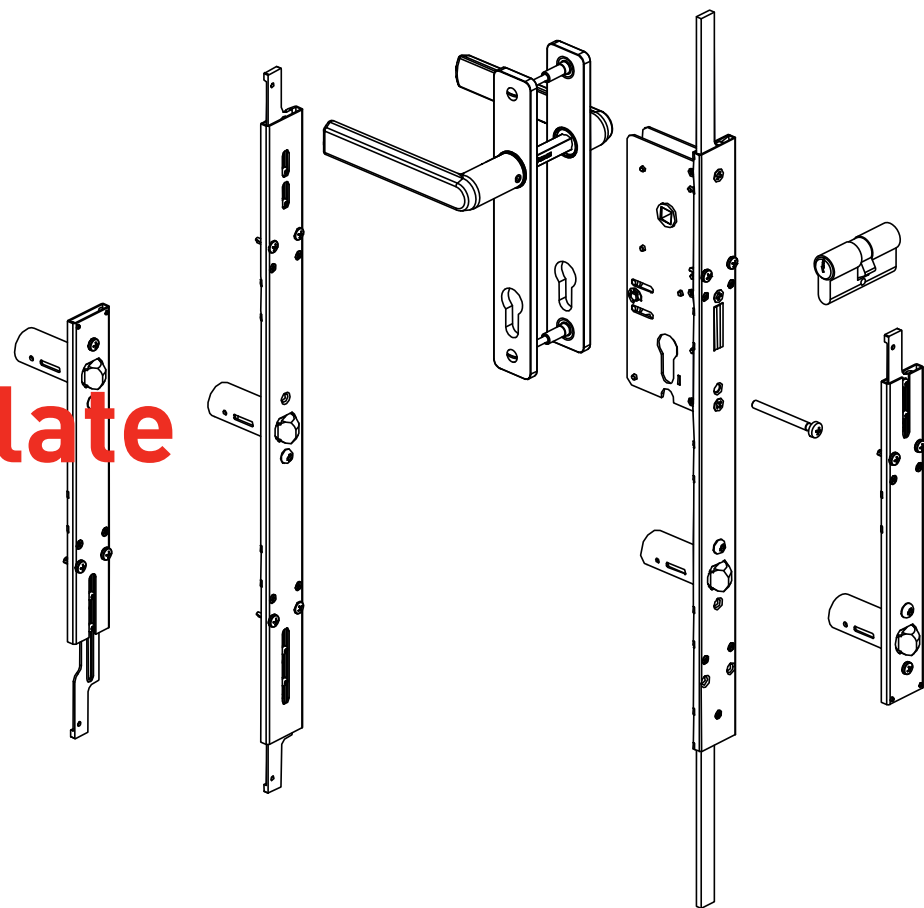
## **Multi Point Lock**

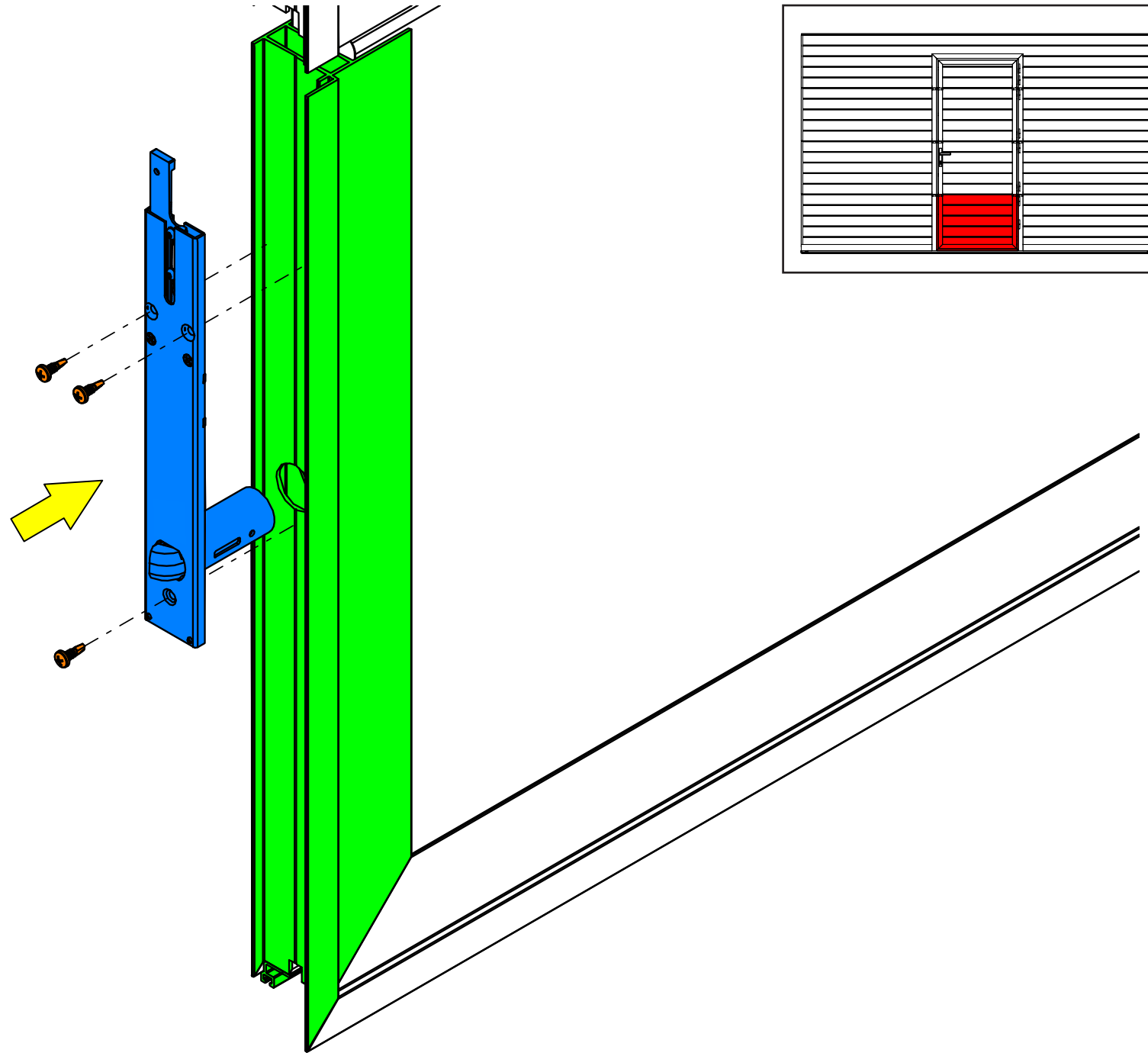
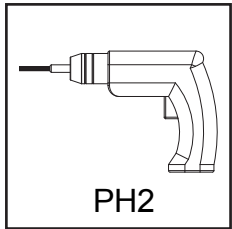
assembly instructions

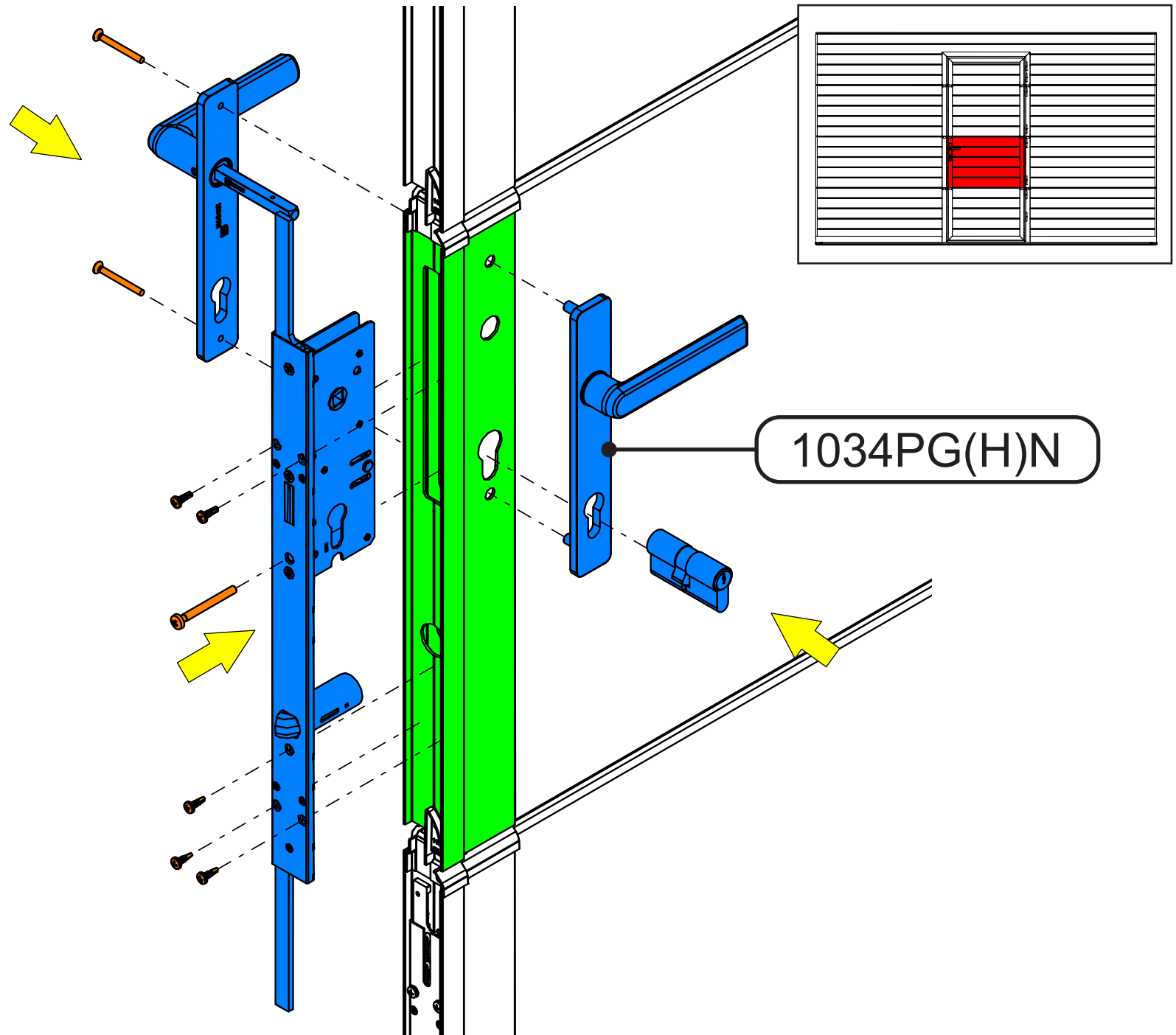
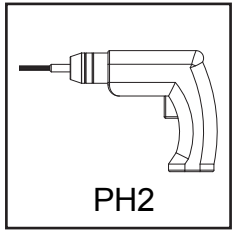
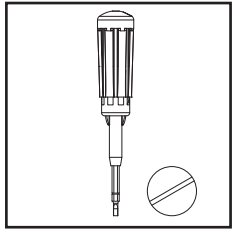
**1034MPL Lock**

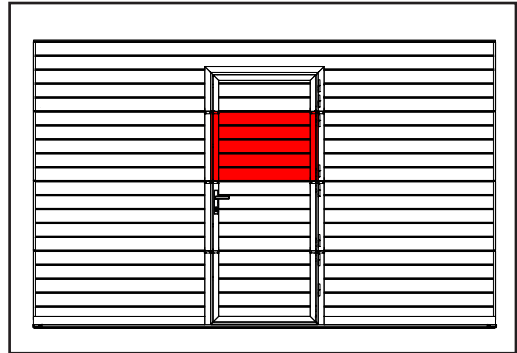
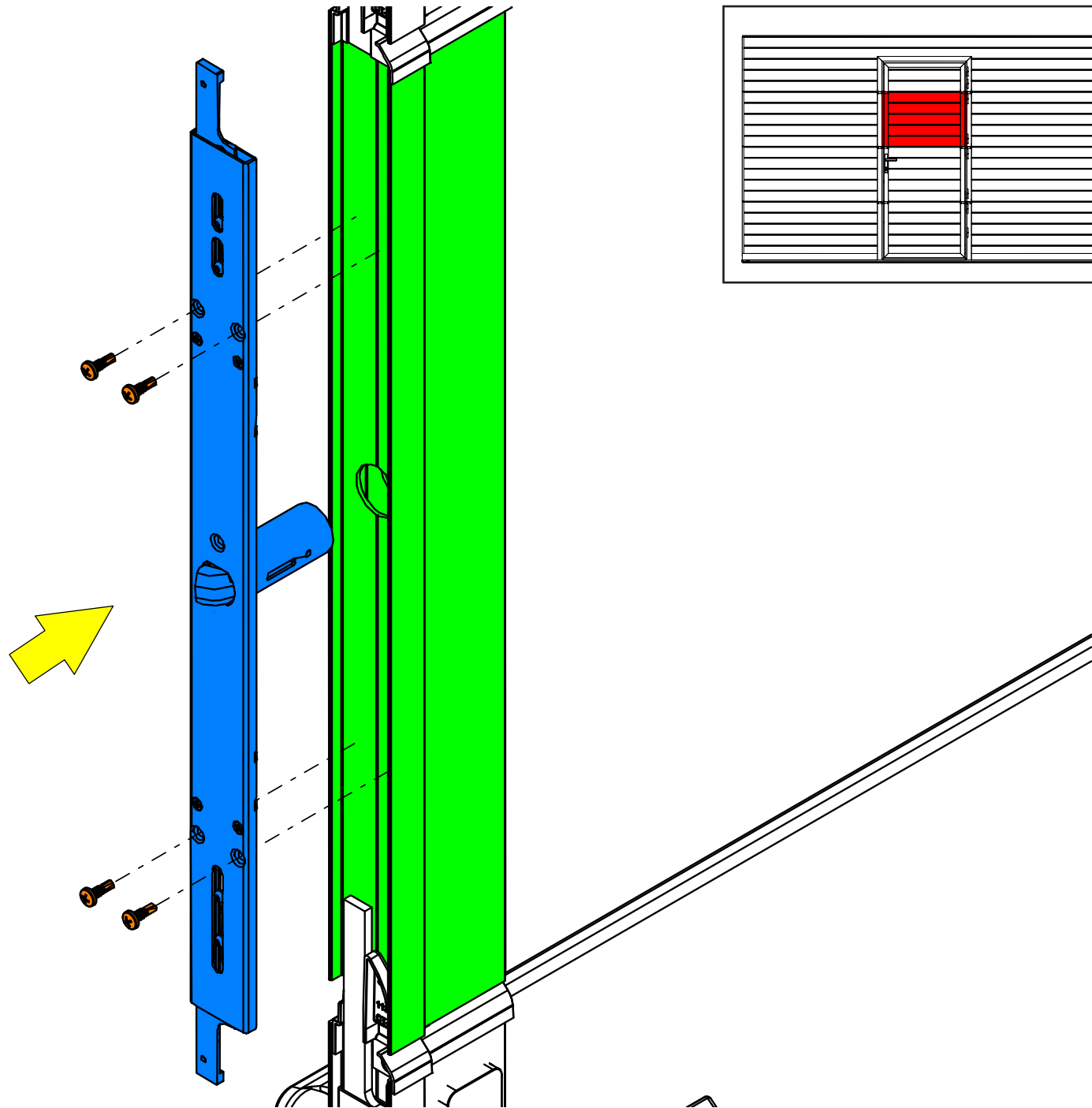
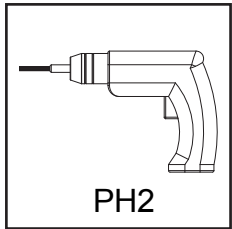
**1034PG(H)N Handle**

**1034MPL-LP Lock plate**

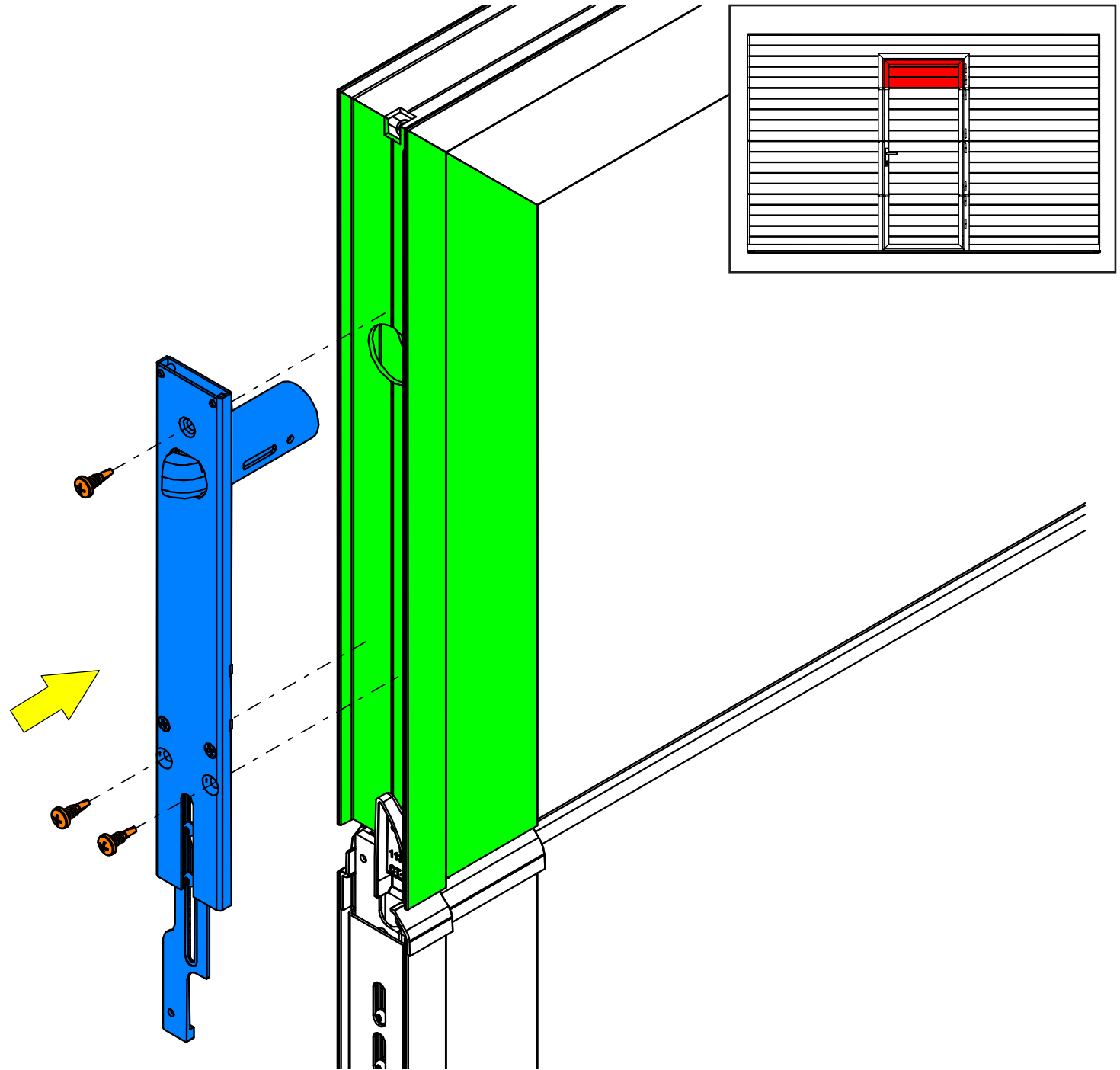
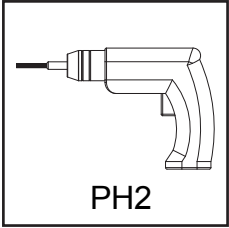


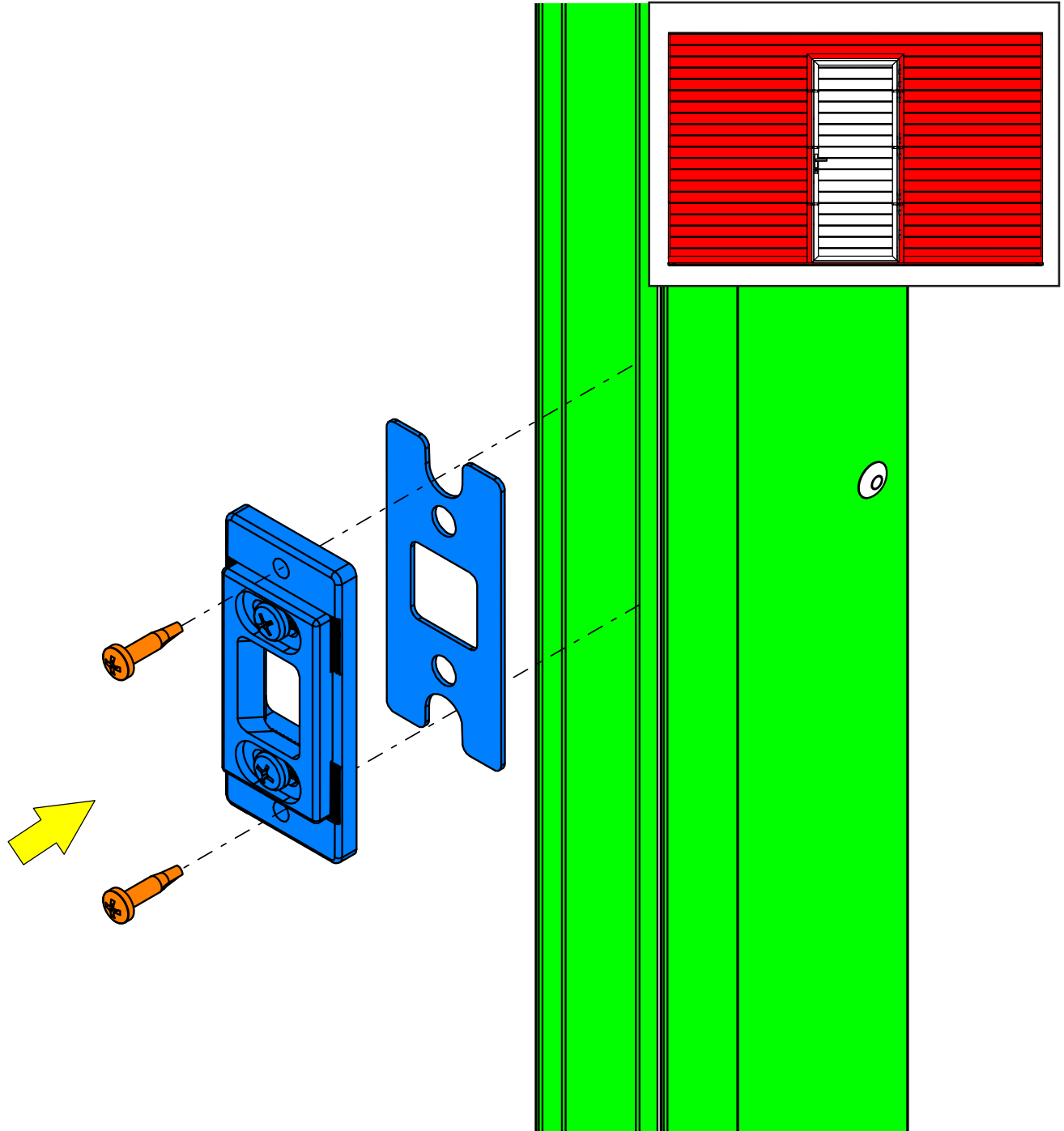
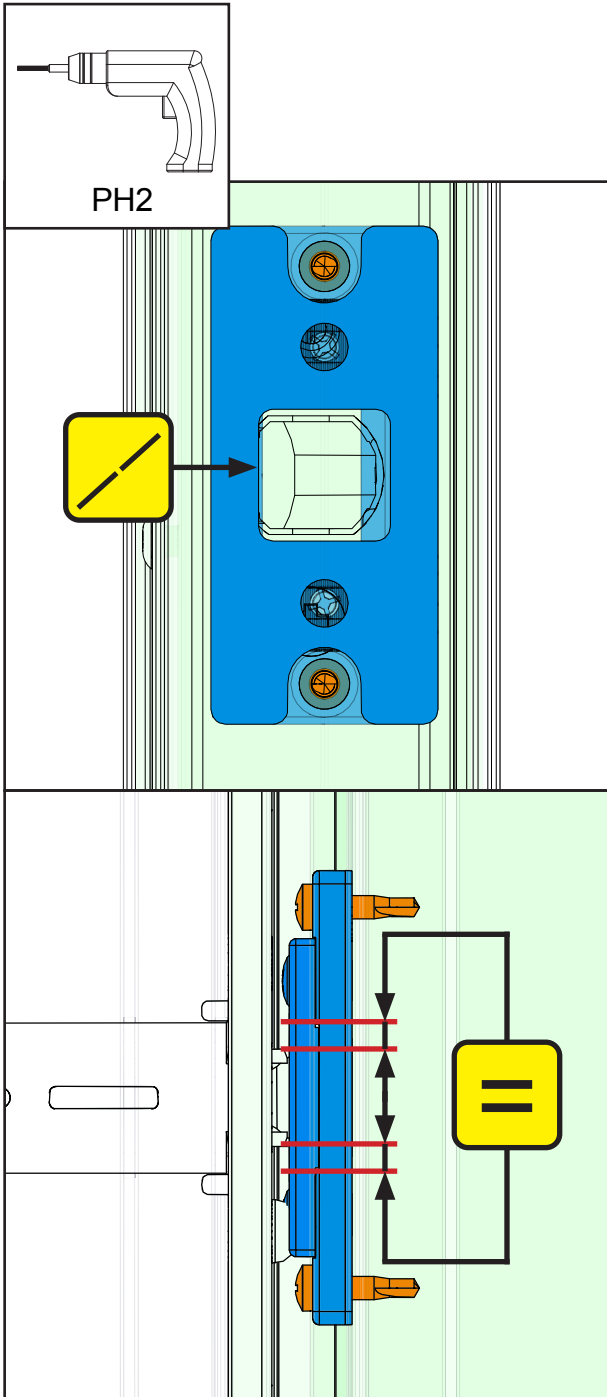


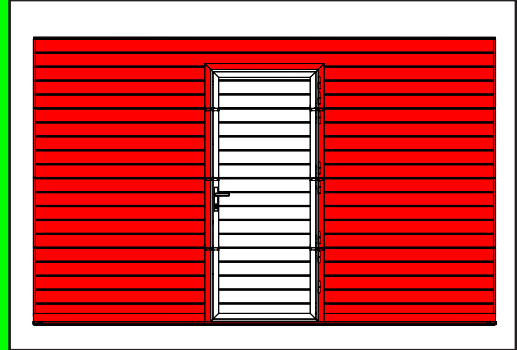
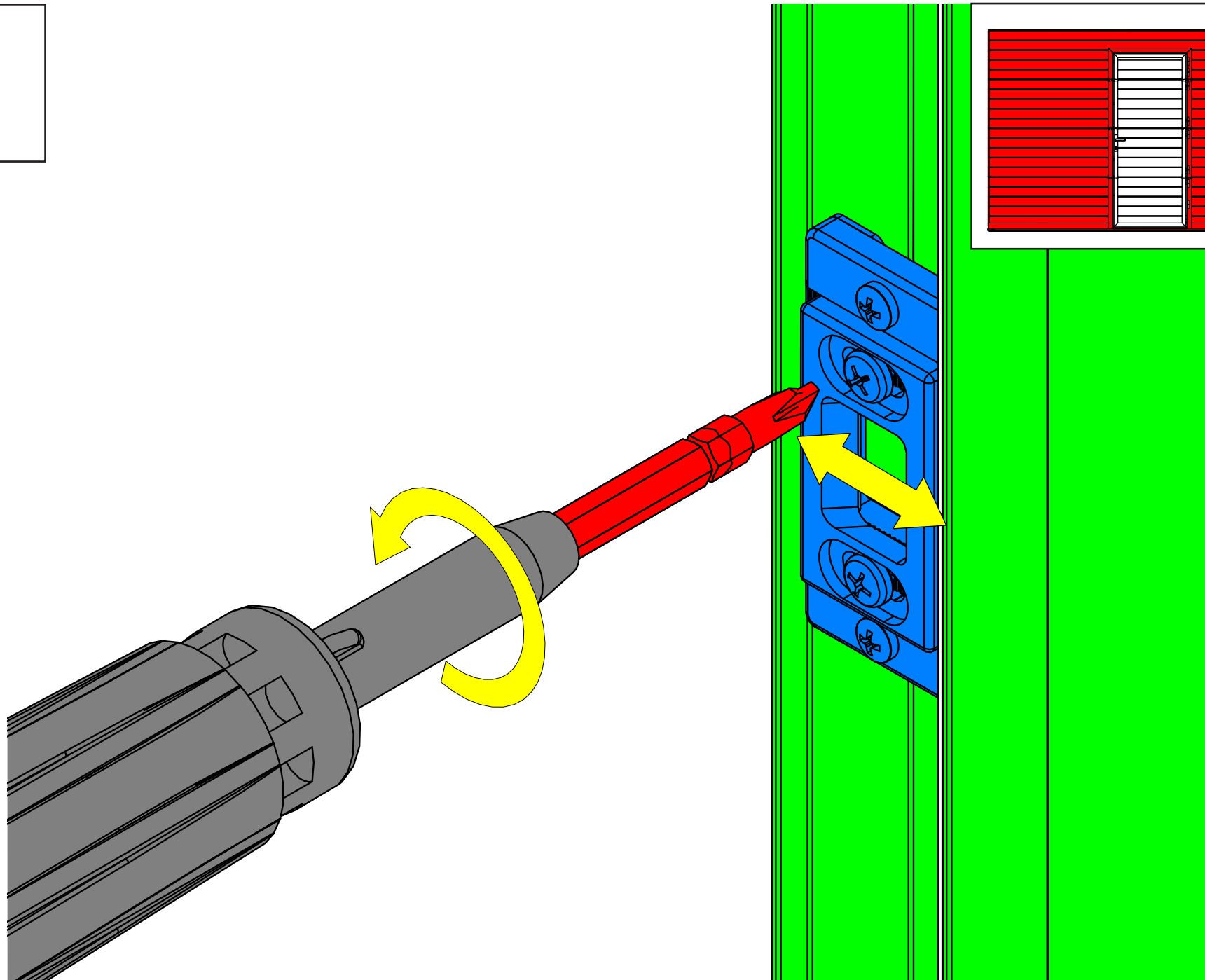
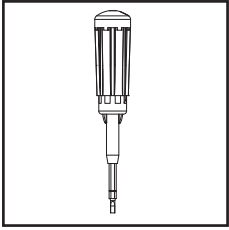


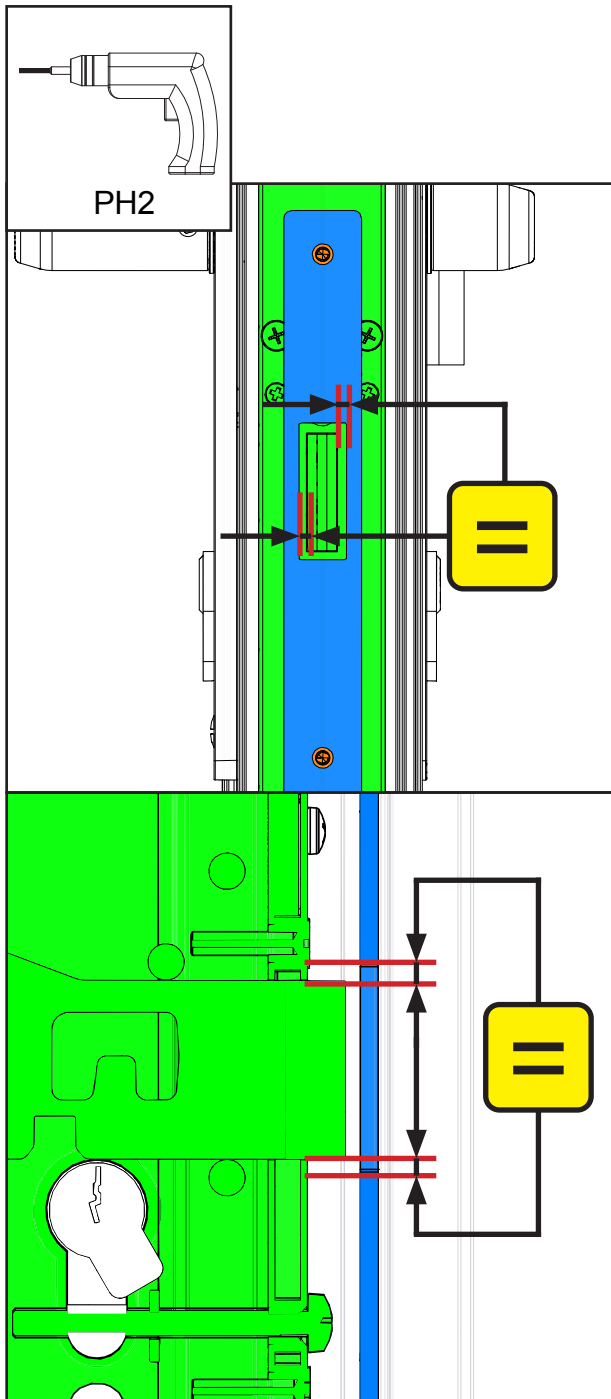




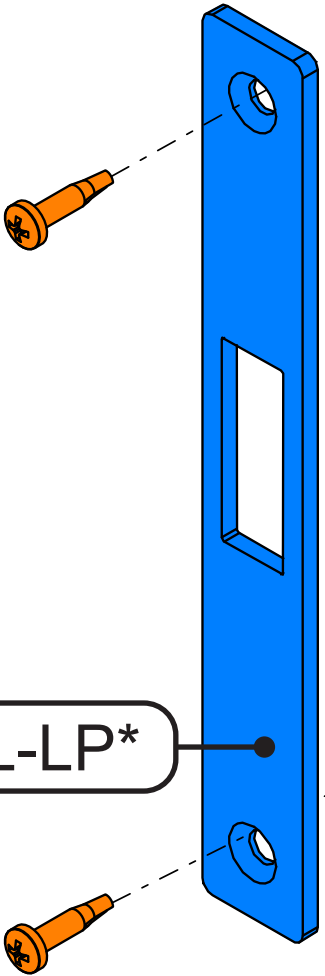








1034MPL-LP\*



\*ordered separately