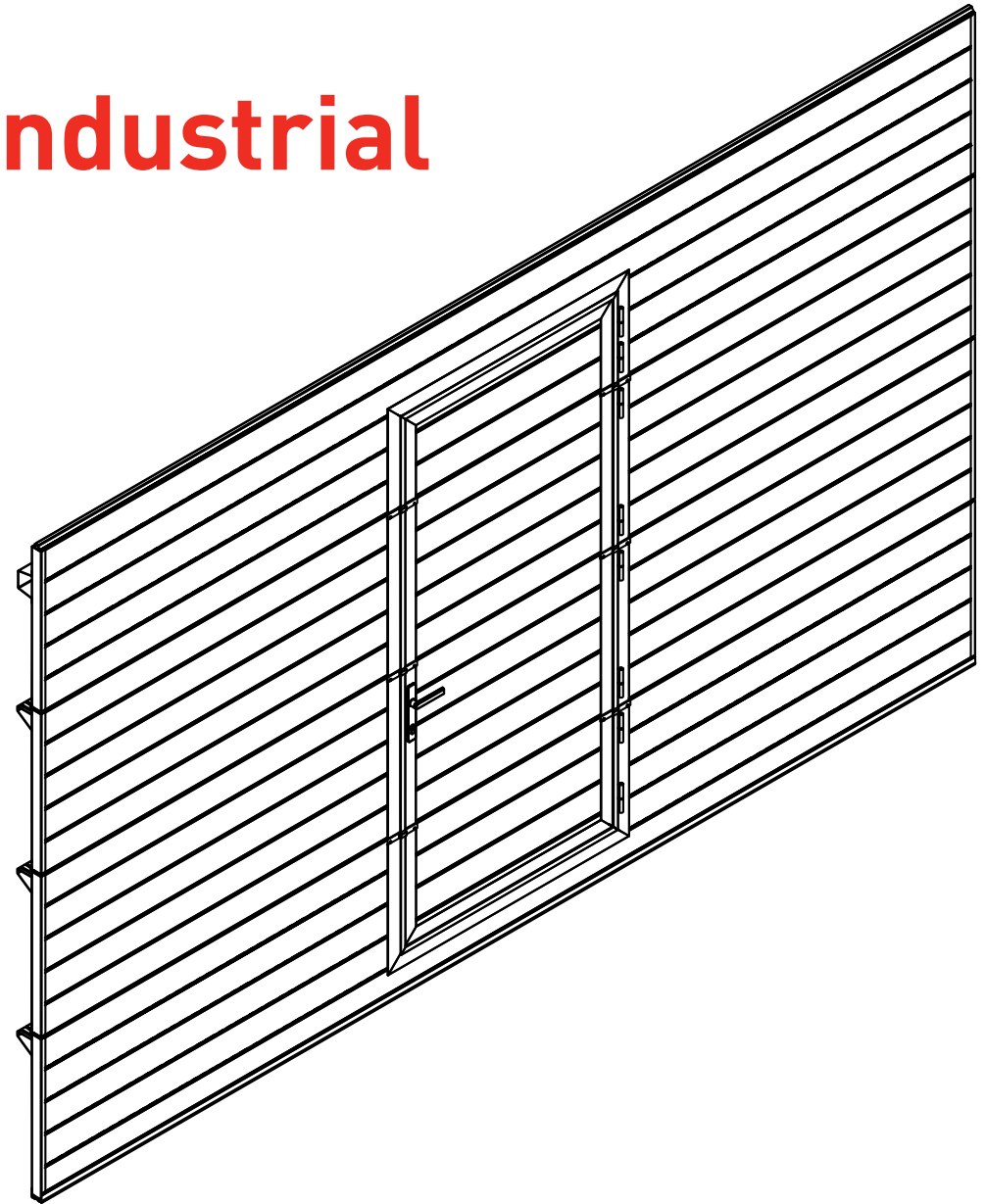


FF Installation manual

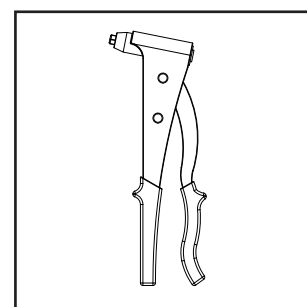
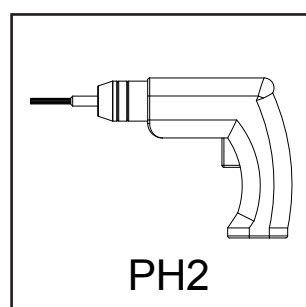
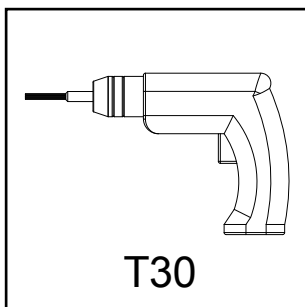
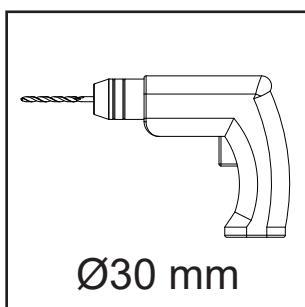
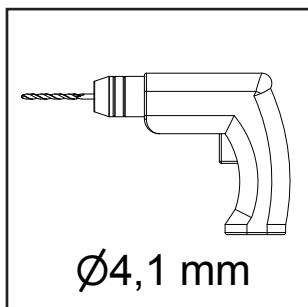
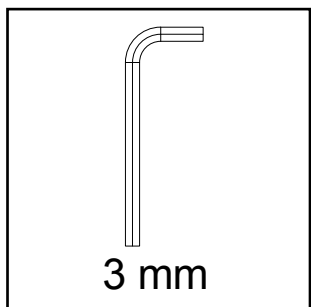
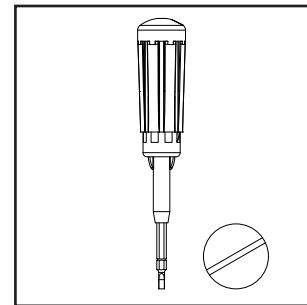
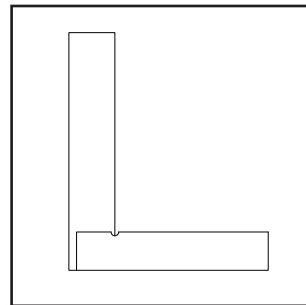
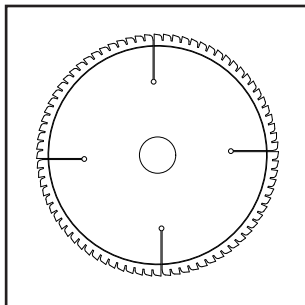
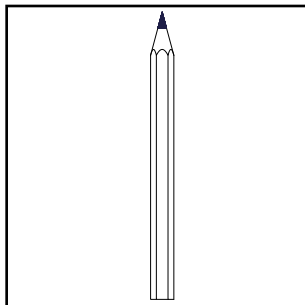
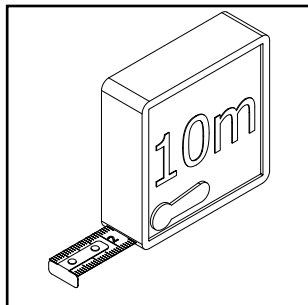
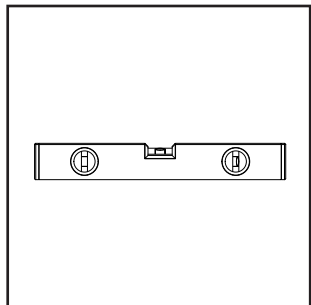
SolidStep Industrial

High threshold

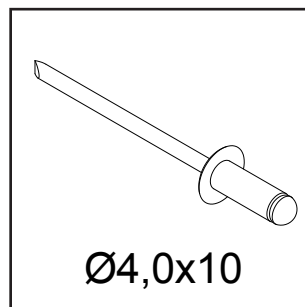
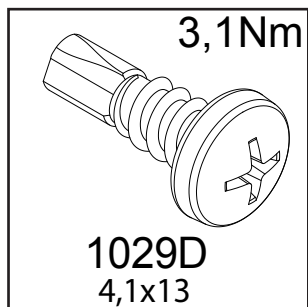
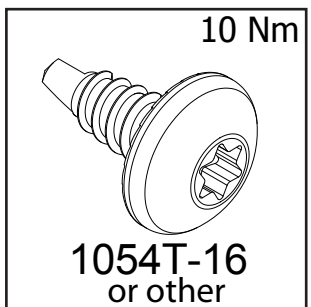
**40mm panels with
multi point lock (MPL)**



Needed tools



Needed fixing materials



Used symbols



TANGENT - lines and/or surfaces are tangent with each other



PERPENDICULAR - lines and/or surfaces are at a 90° angle with each other



INLINE - lines and/or surfaces are in-line with each other



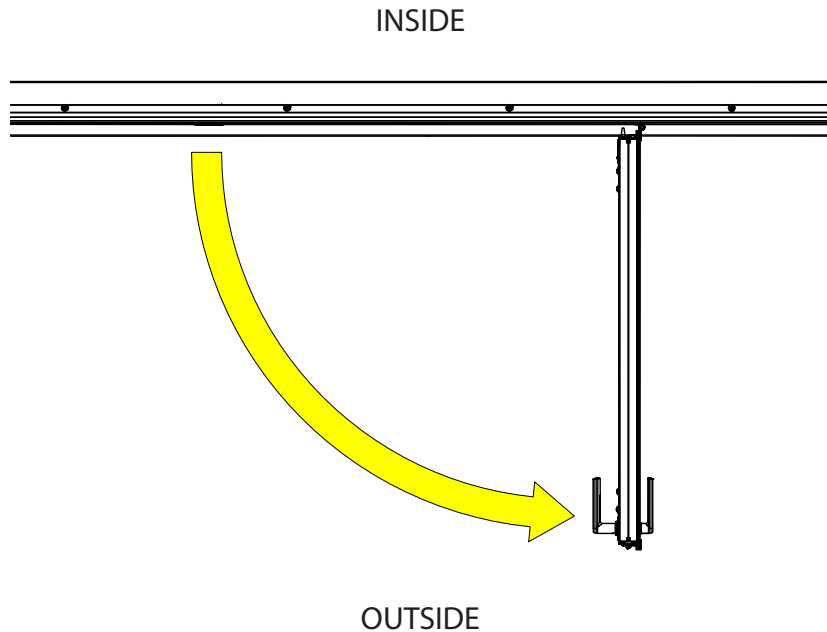
PARALLEL - lines and/or surfaces are parallel with each other



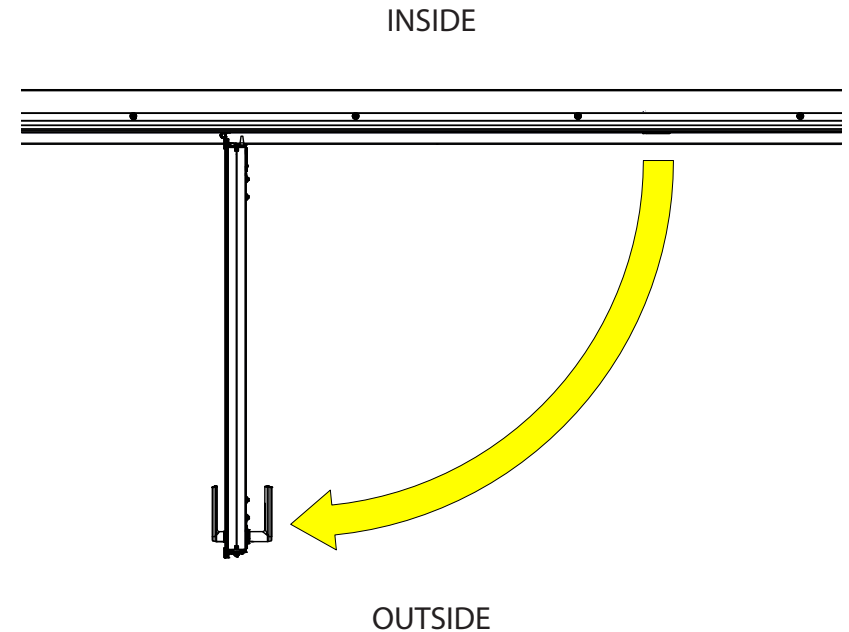
EQUAL - lines and/or surfaces are equal to each other

This manual is based on a MULTI POINT LOCK
RIGHT HANDED DOOR!
(width 905 mm)

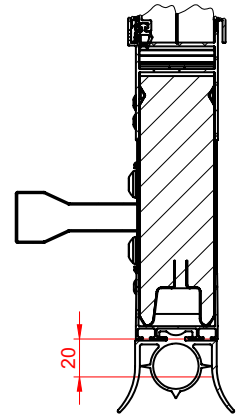
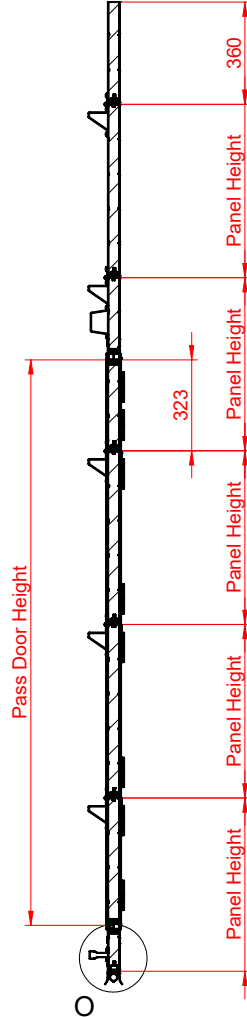
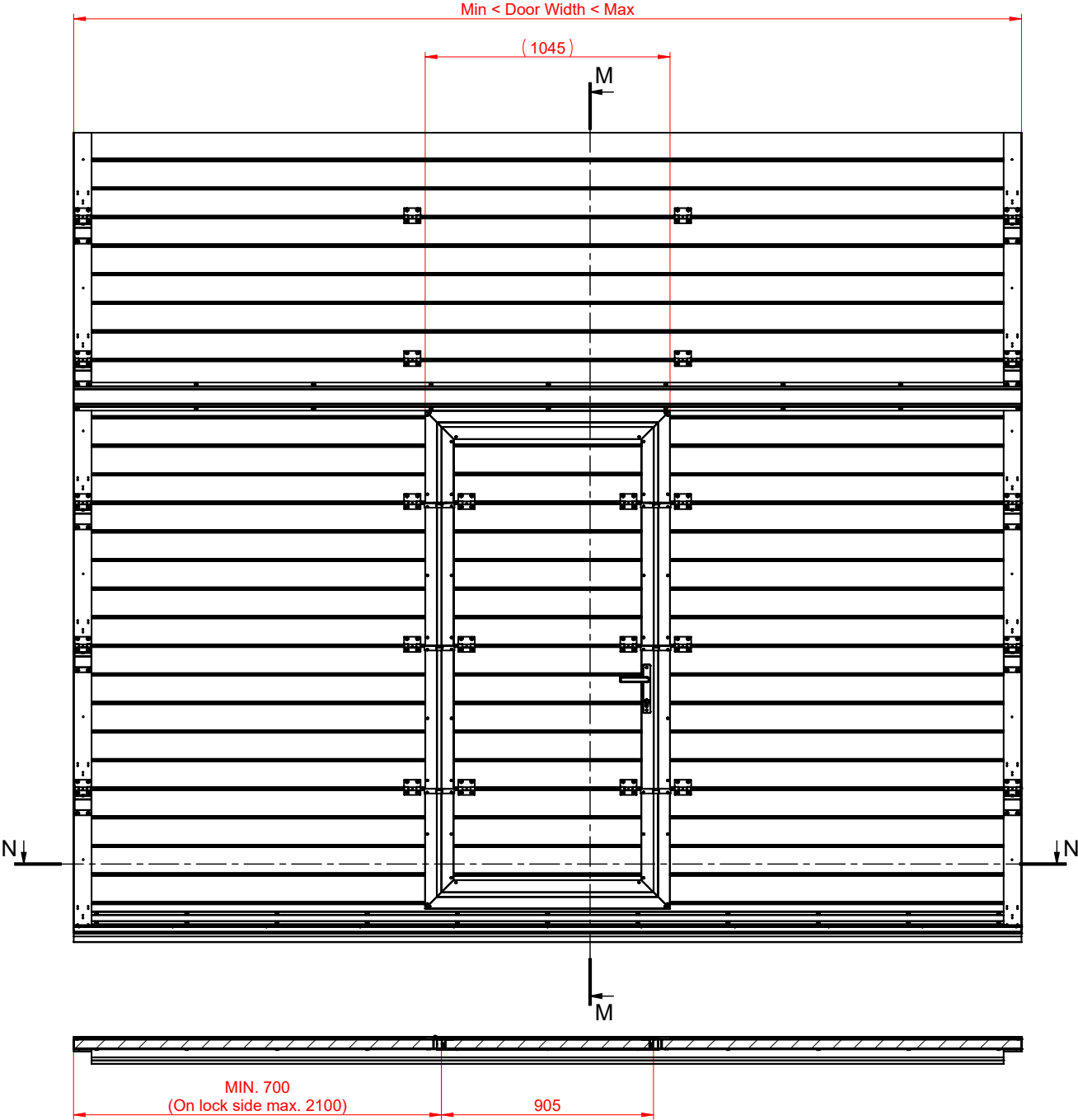
RIGHT HANDED DOOR

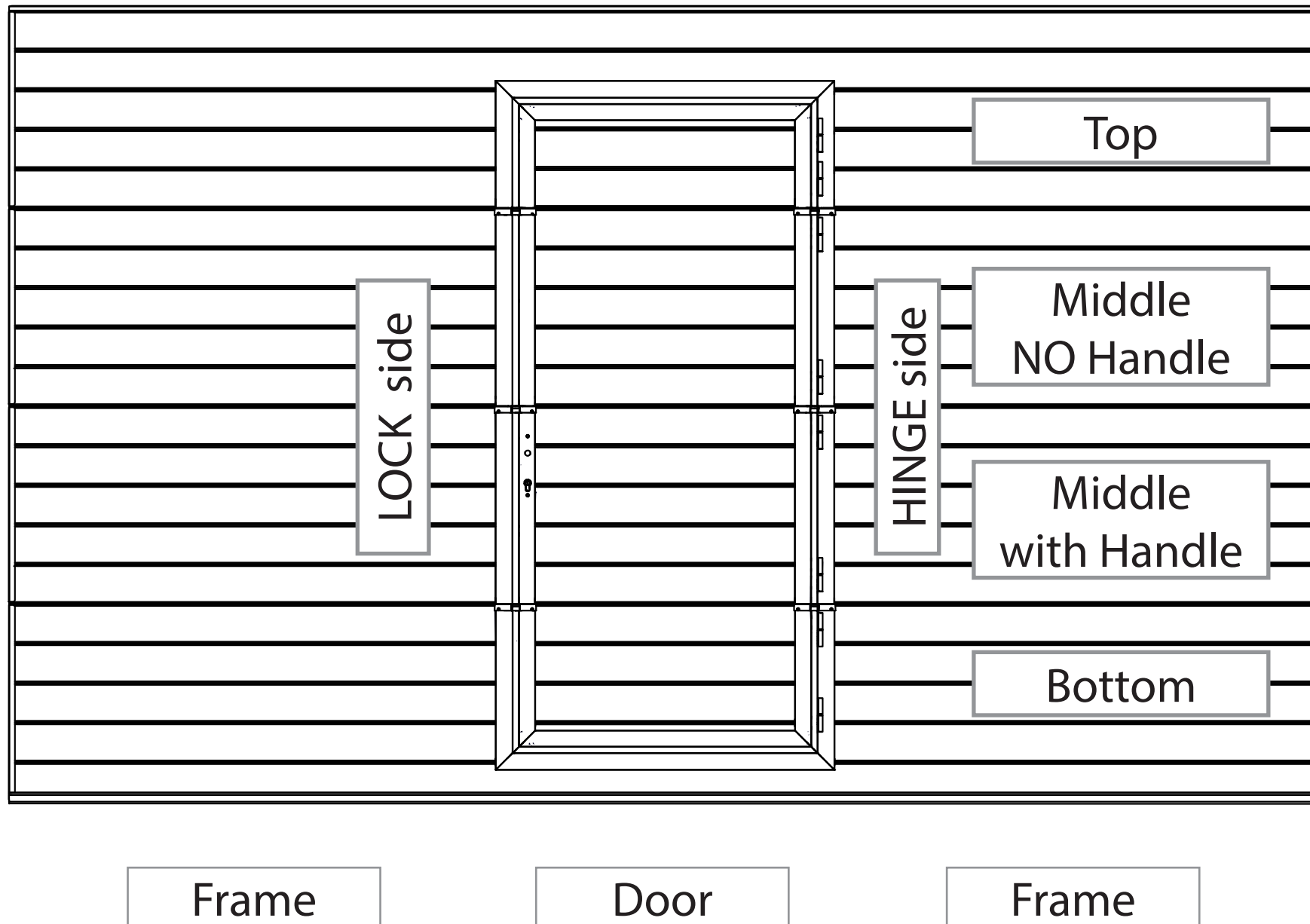


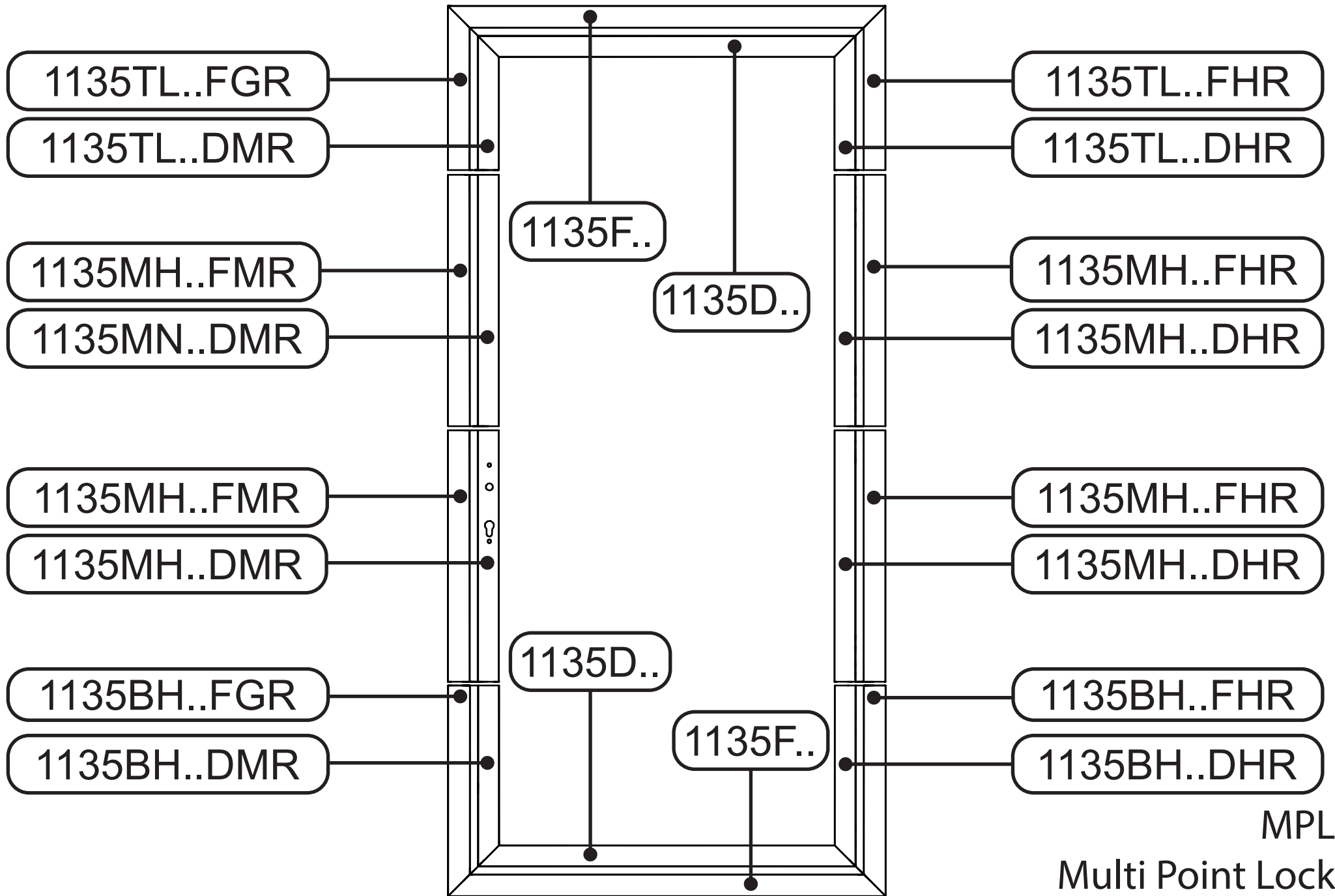
LEFT HANDED DOOR



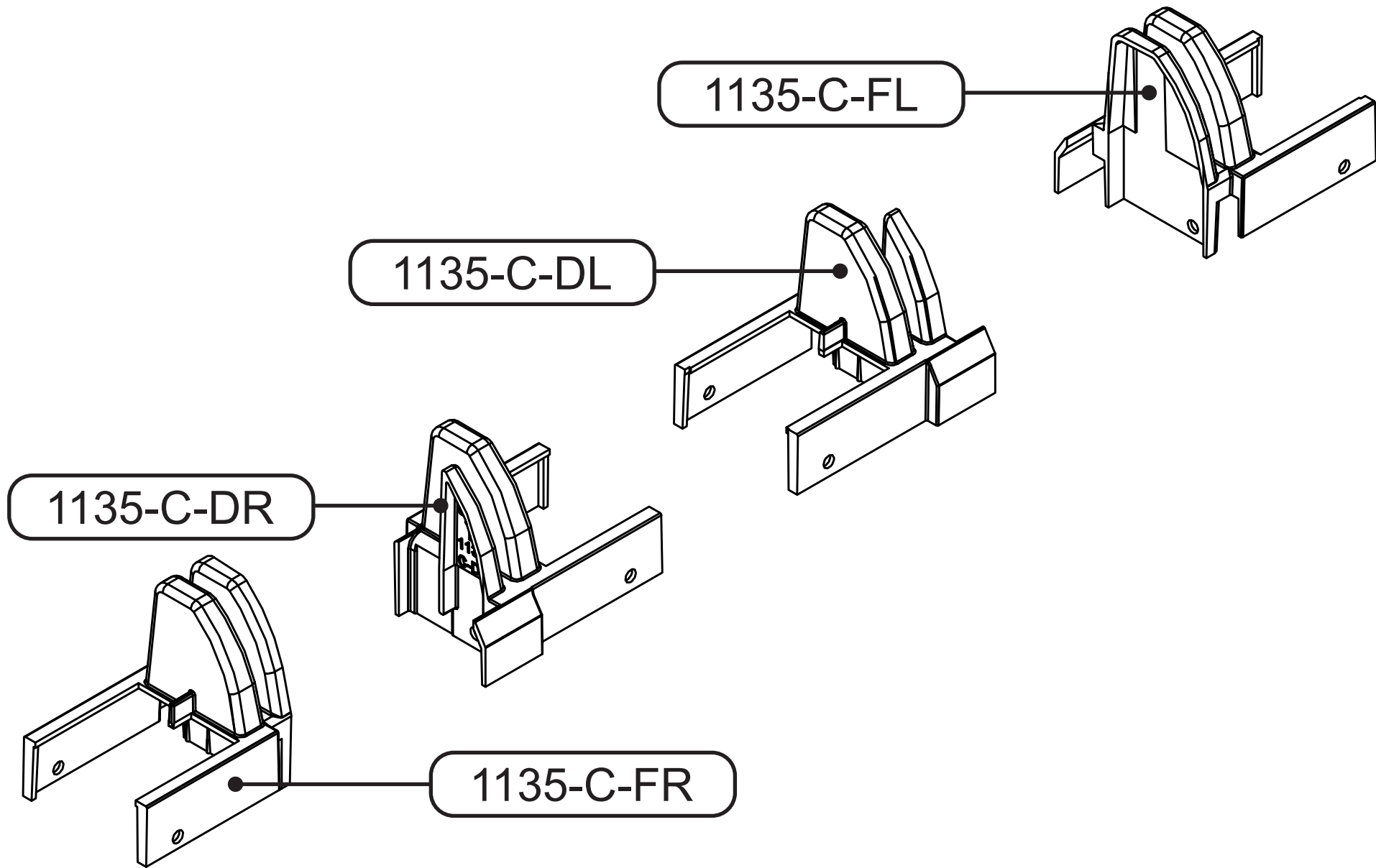
System dimensions



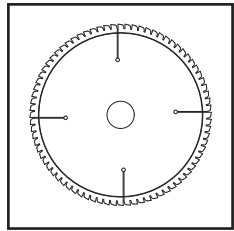




MPL
Multi Point Lock

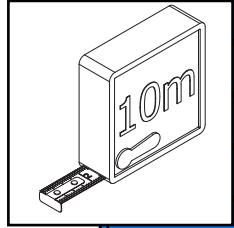


Sawing instructions

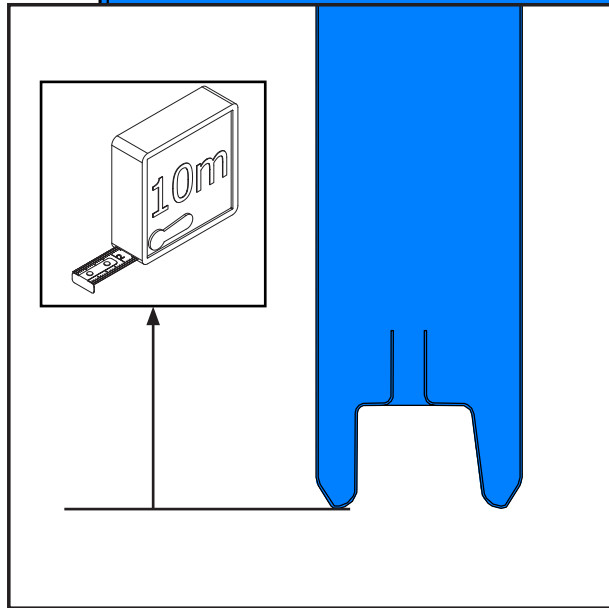


977 ⁺¹₀

869 ⁰₋₁



302
357

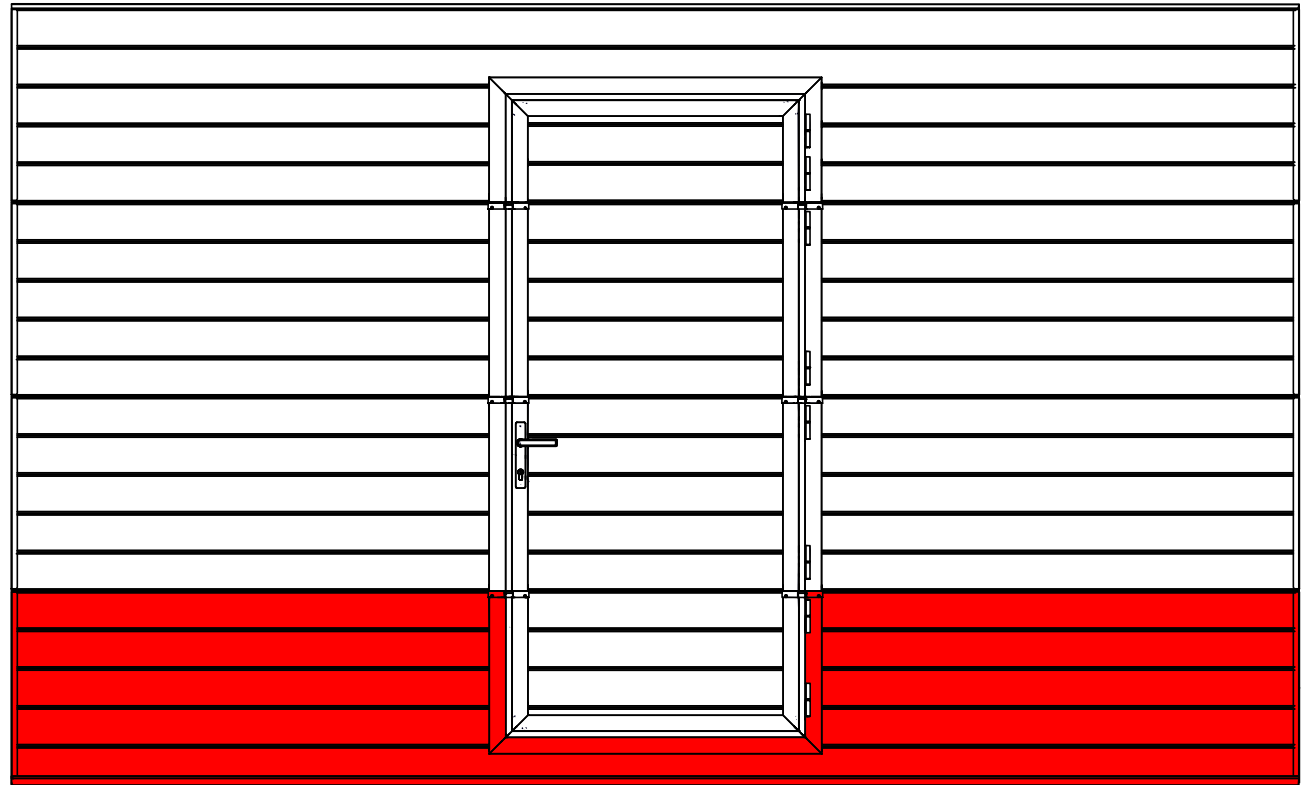


440
492

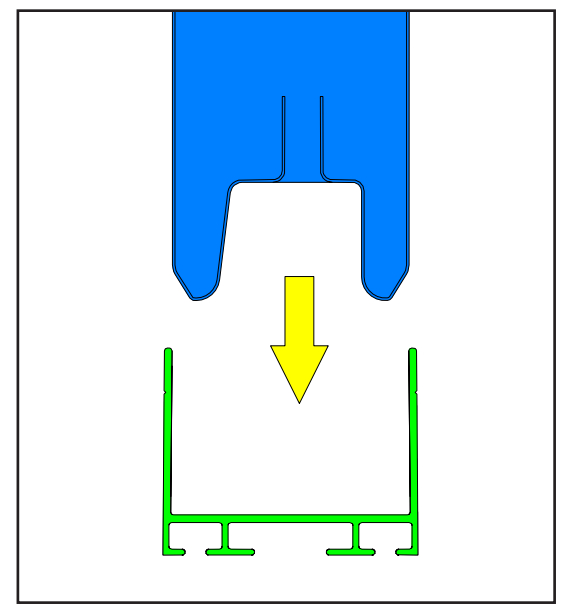
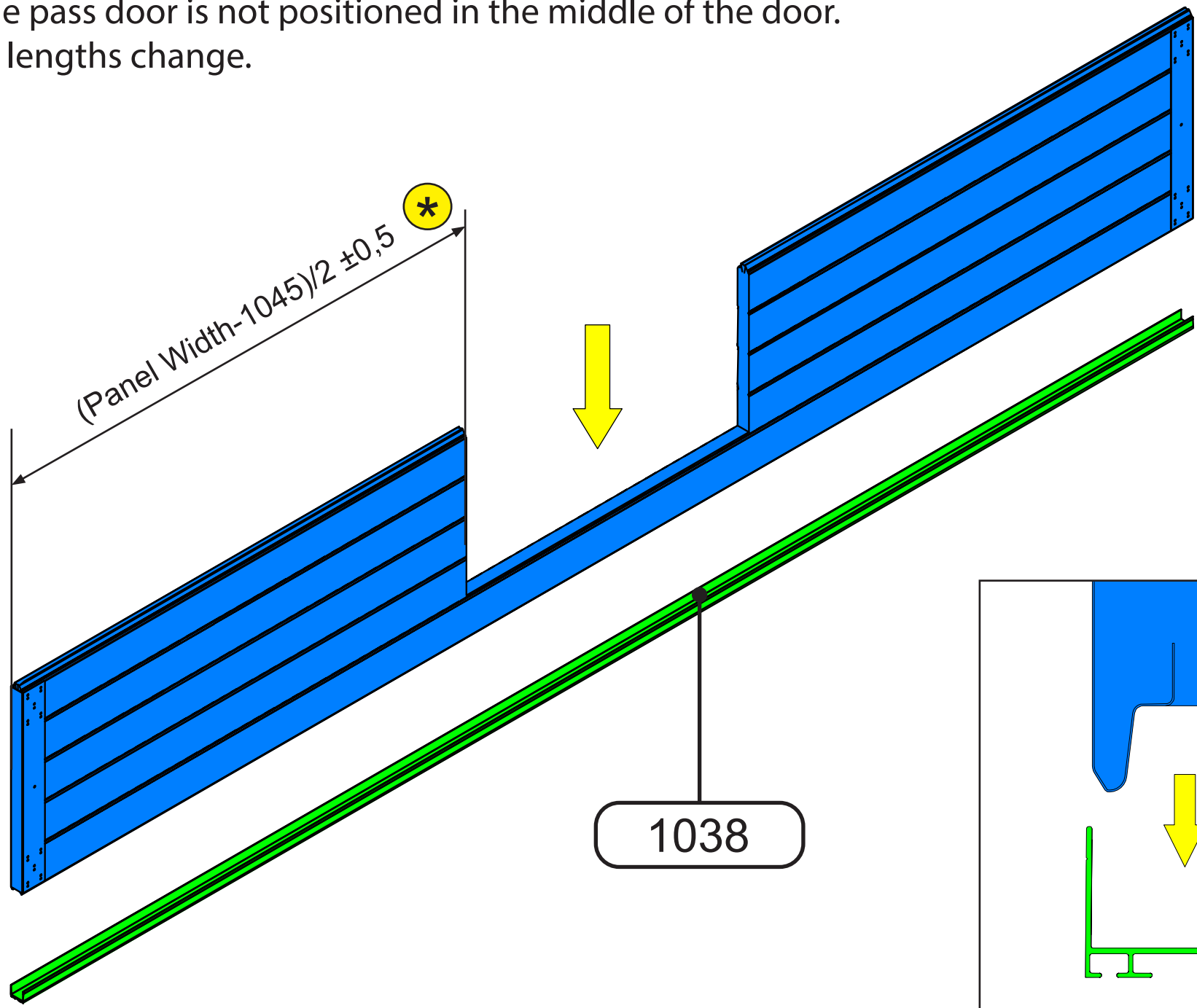
FF Installation manual

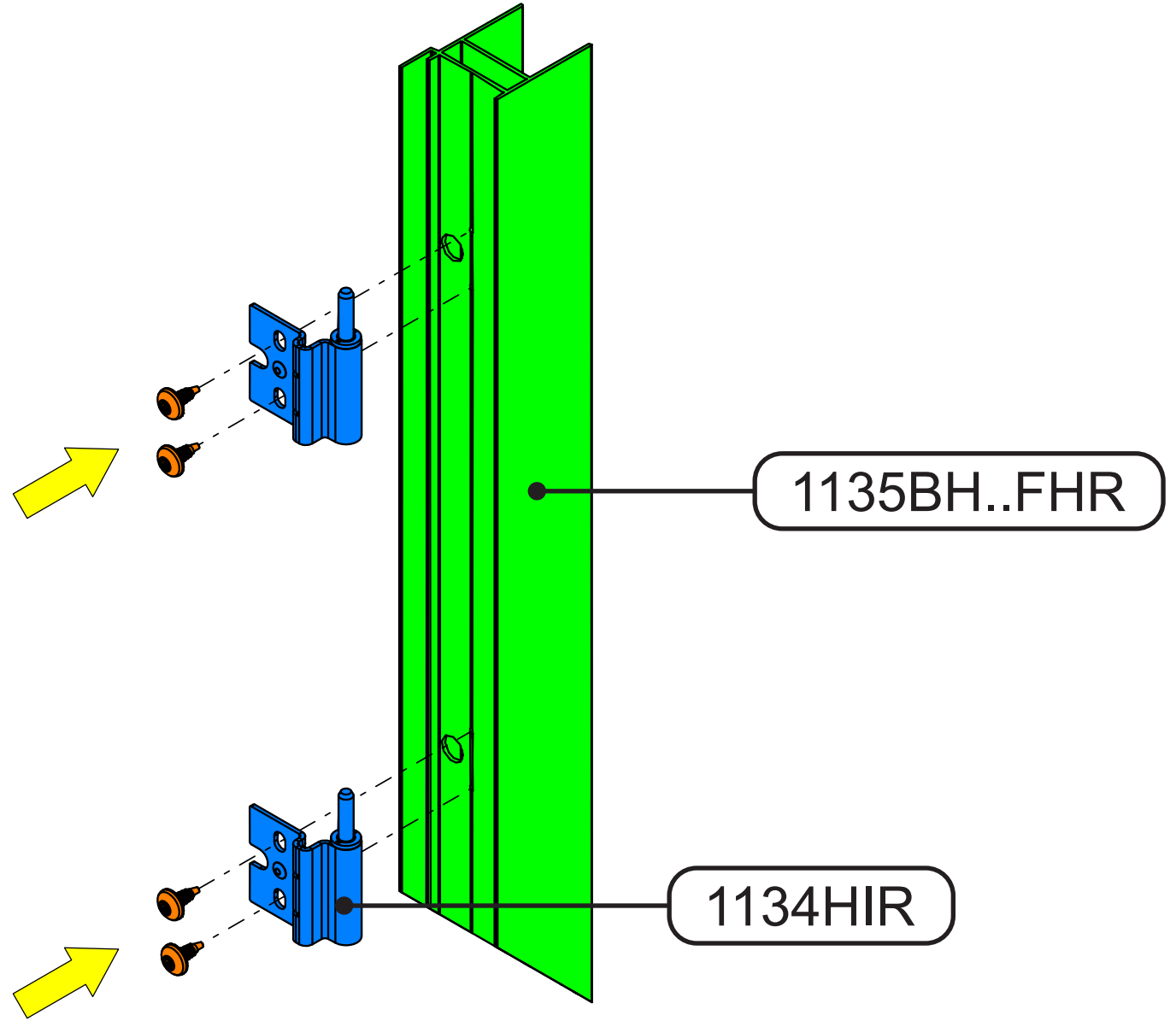
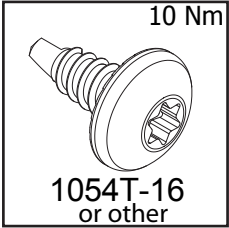
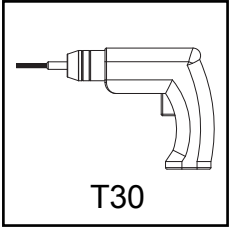
Frame bottom section

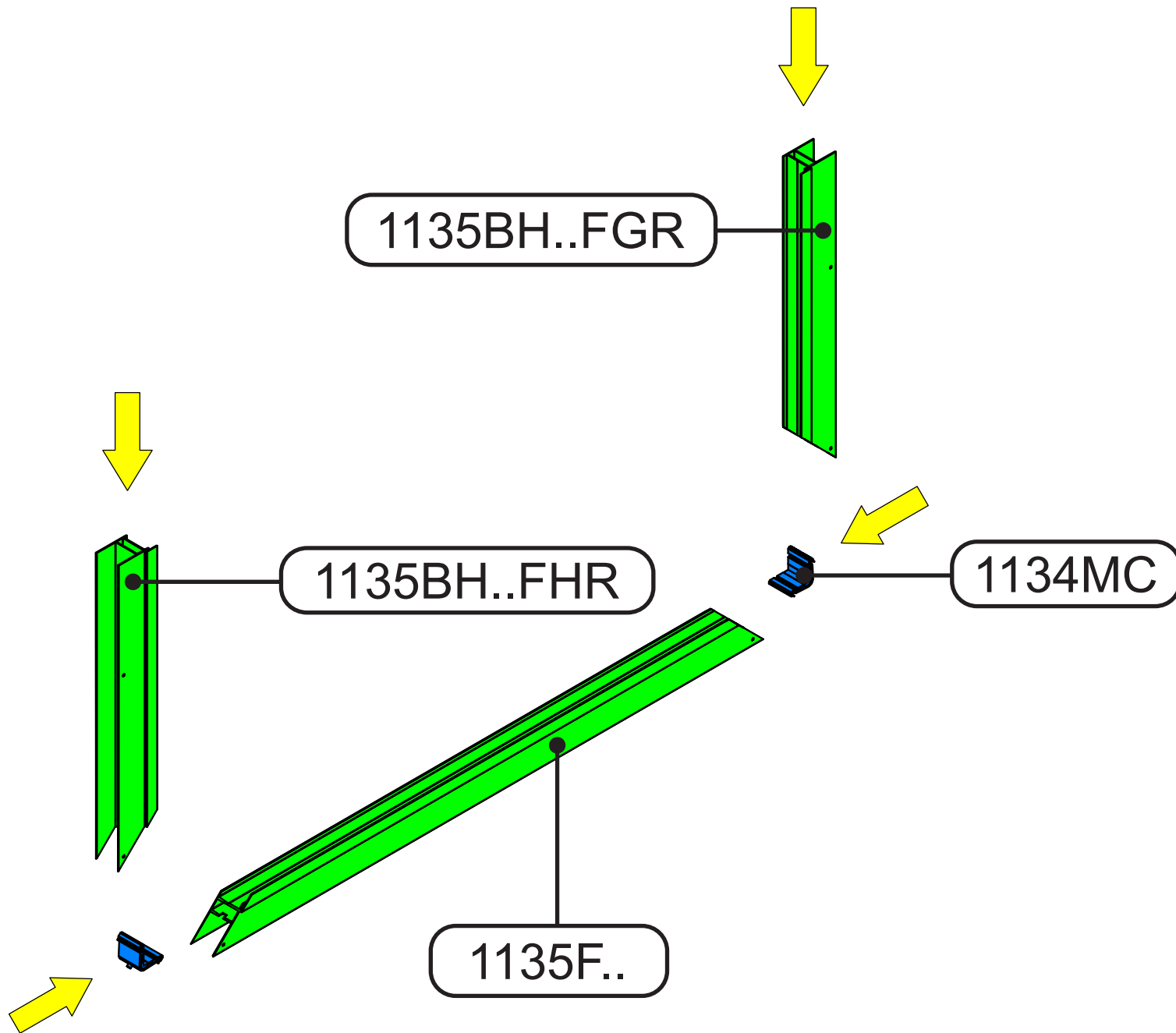
assembly instructions

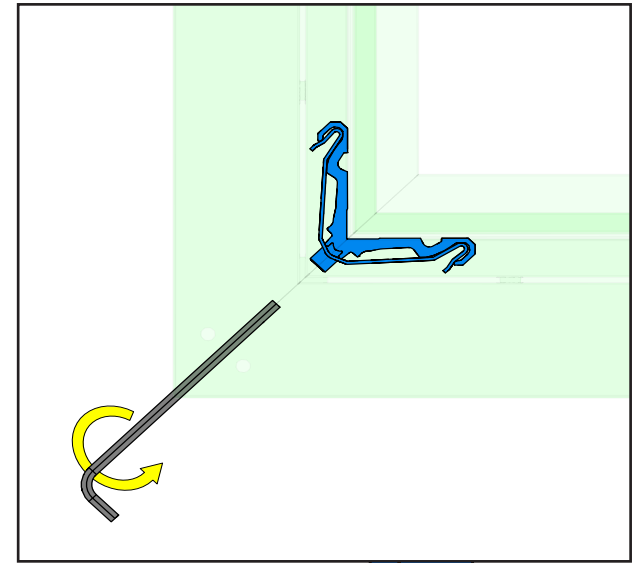
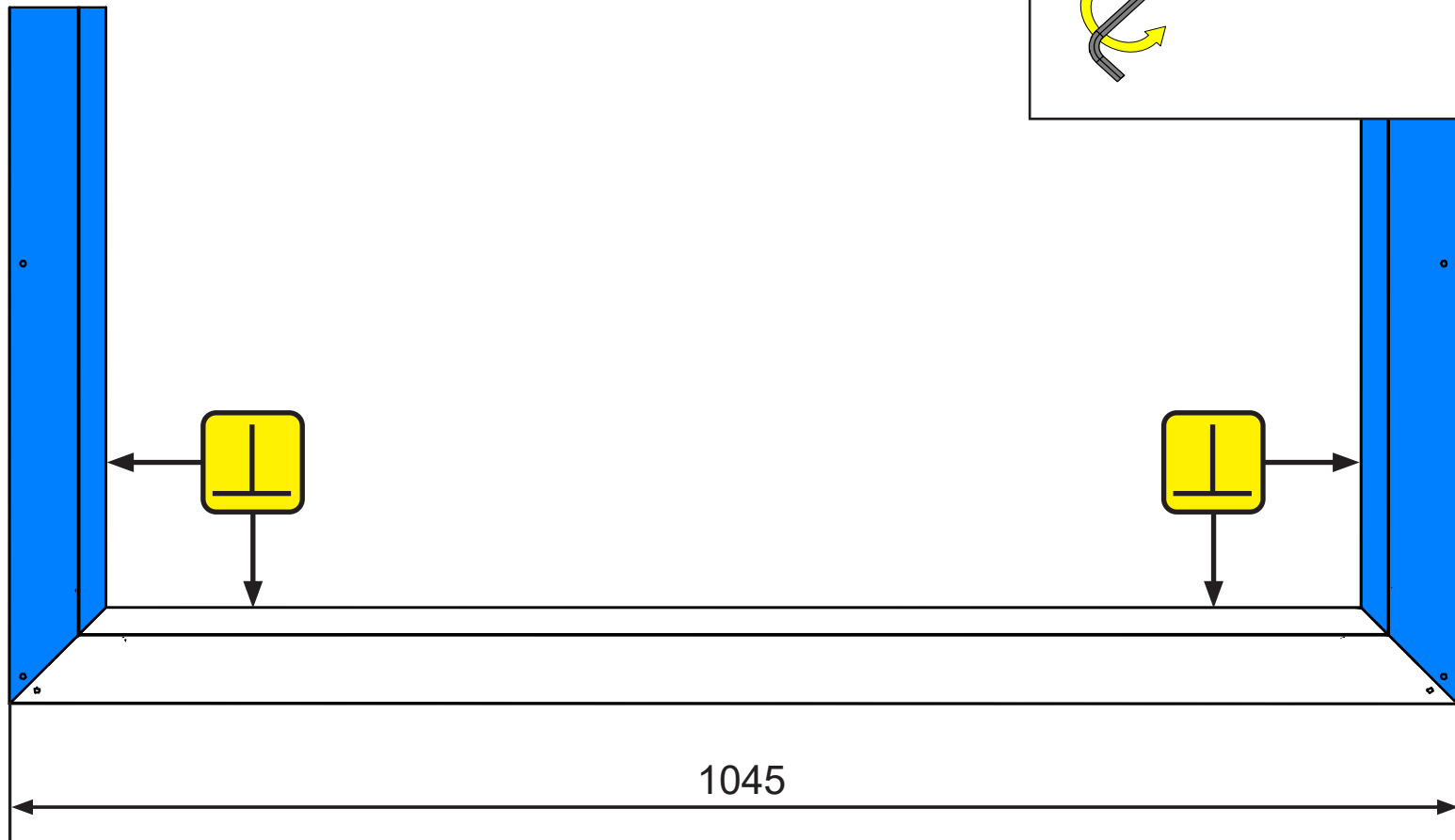
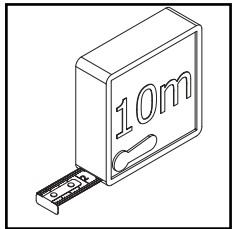
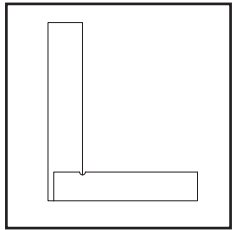
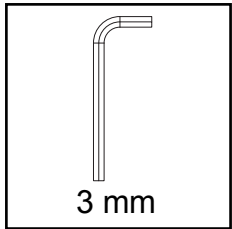


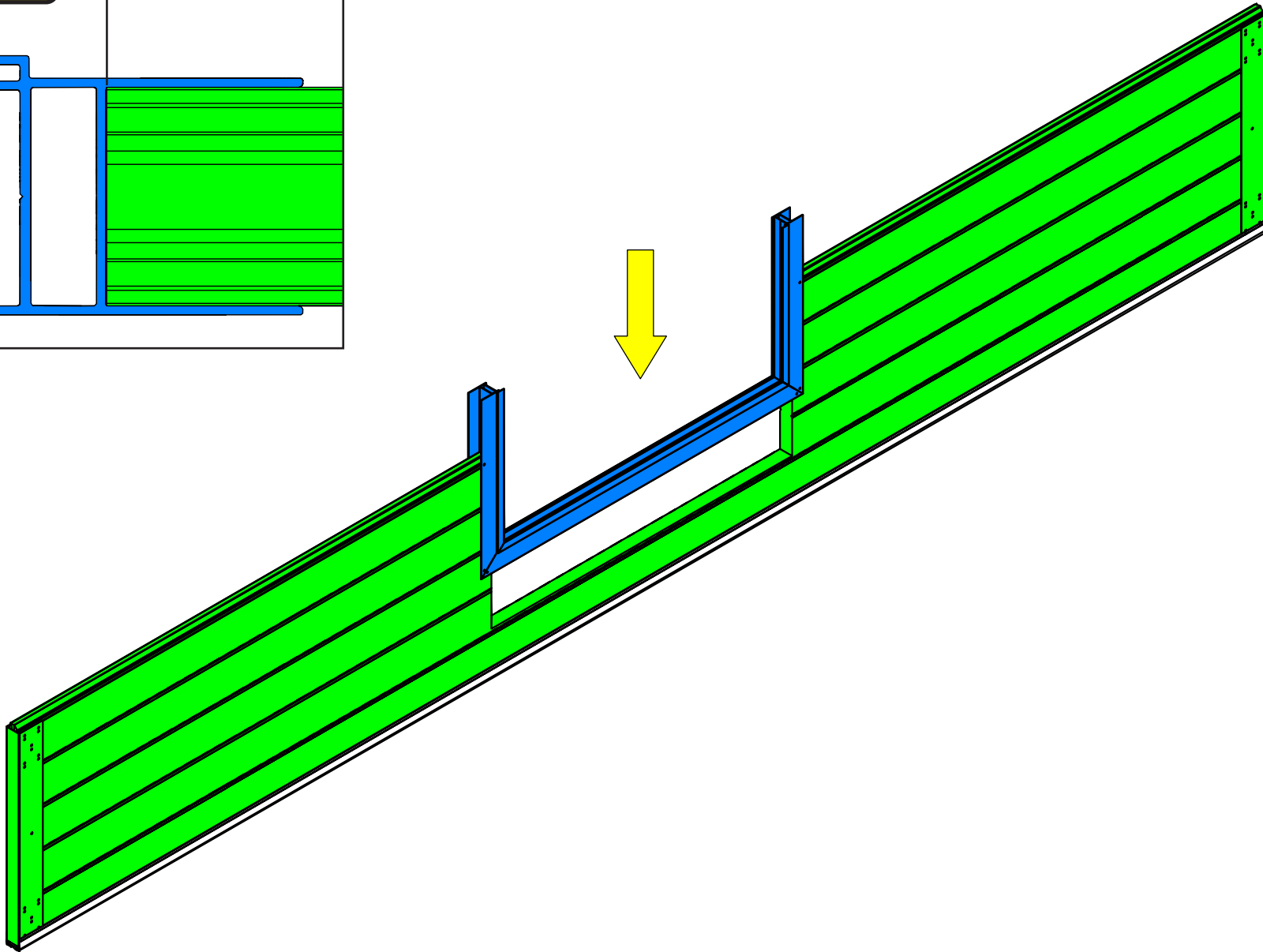
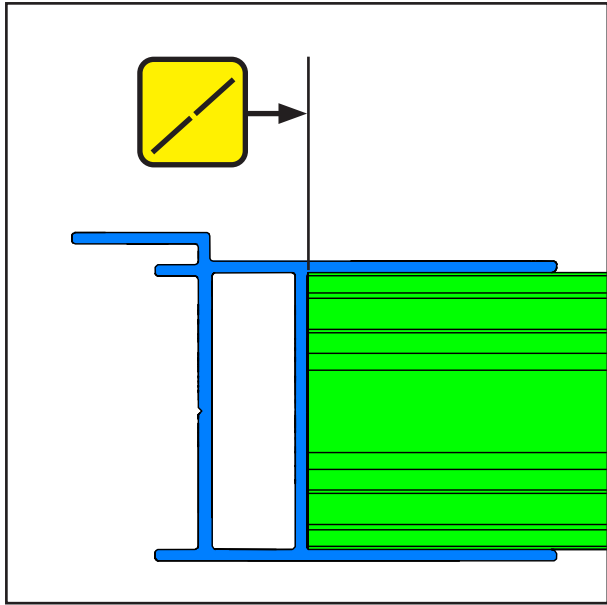
- * If the pass door is not positioned in the middle of the door. The lengths change.

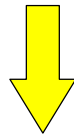
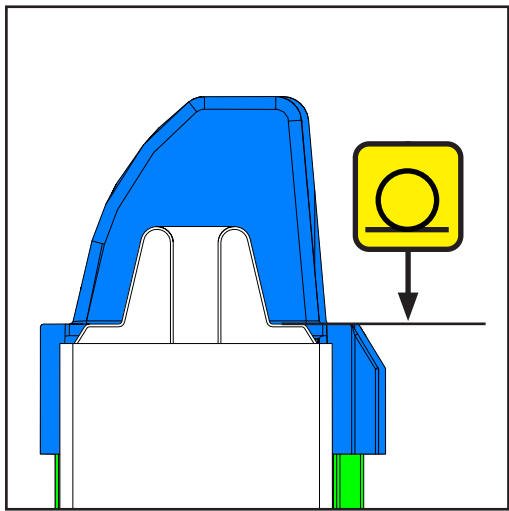




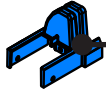
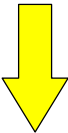




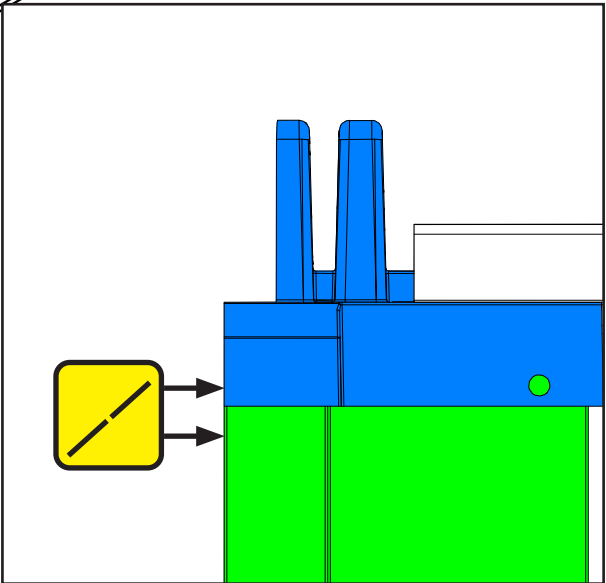


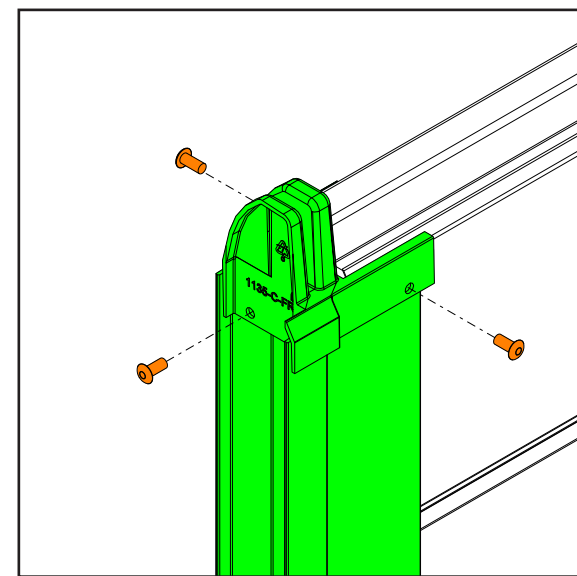
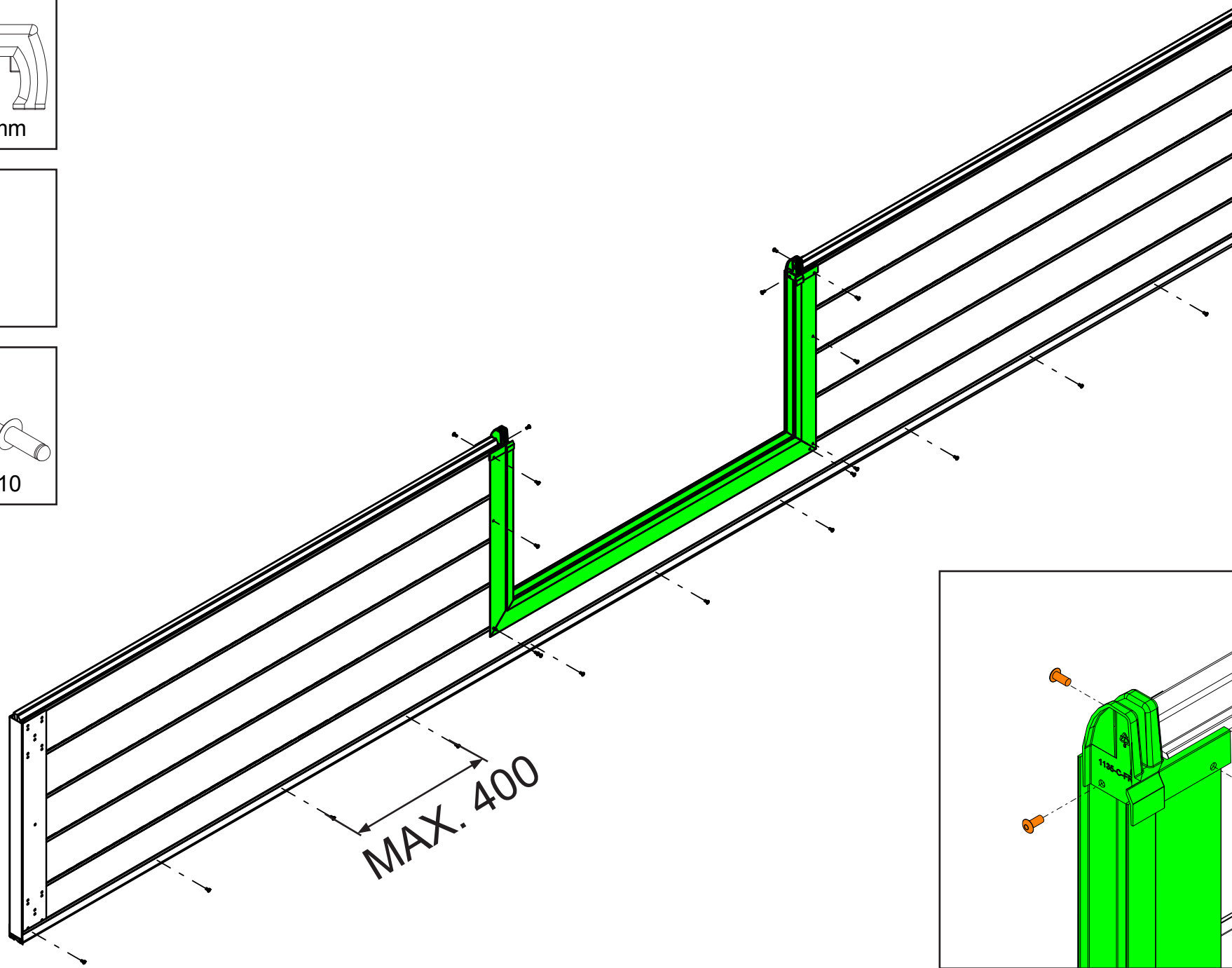
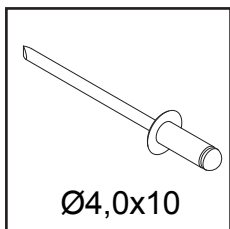
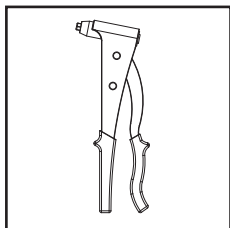
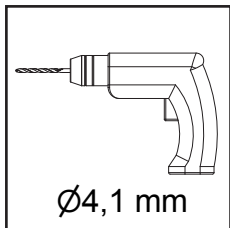


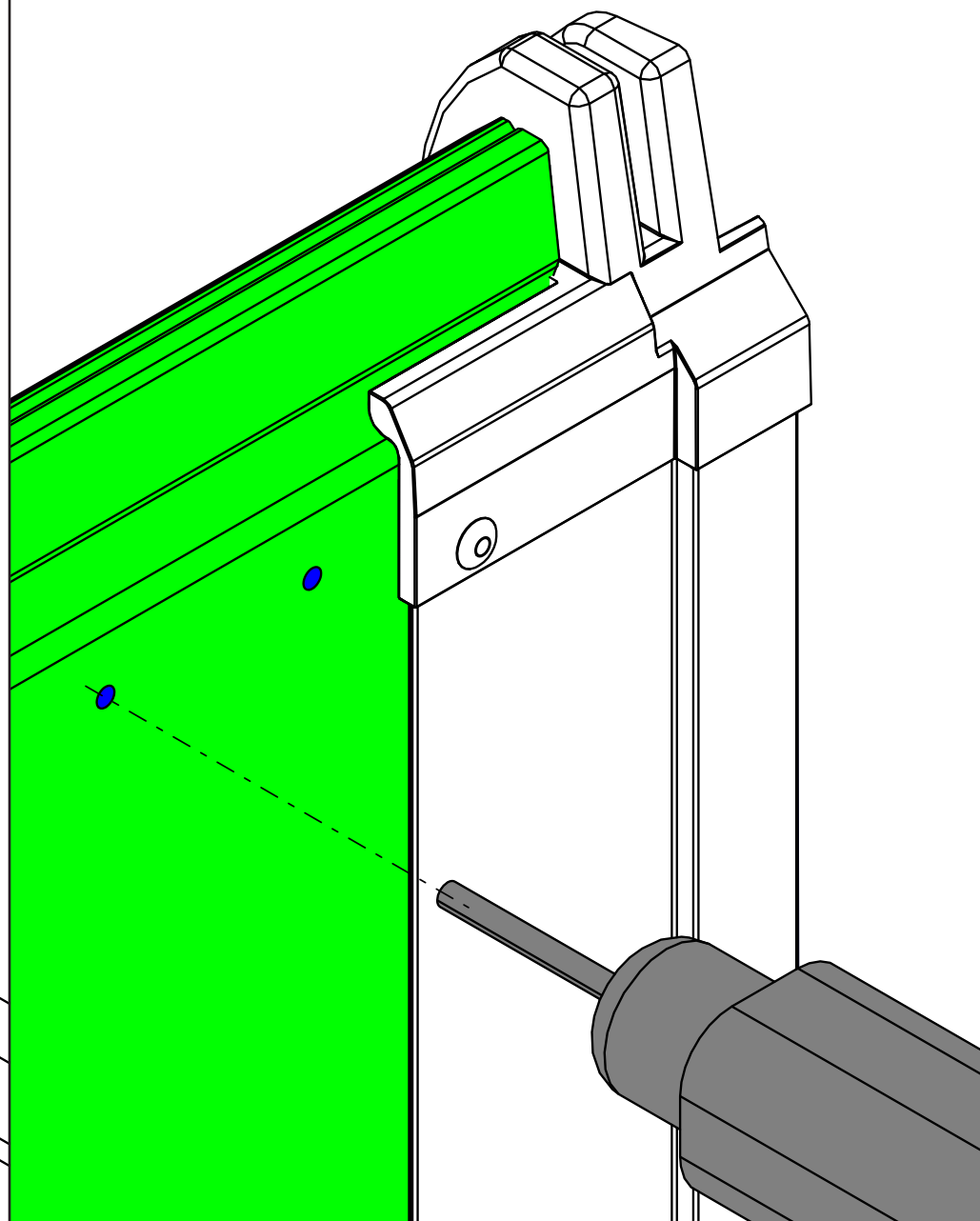
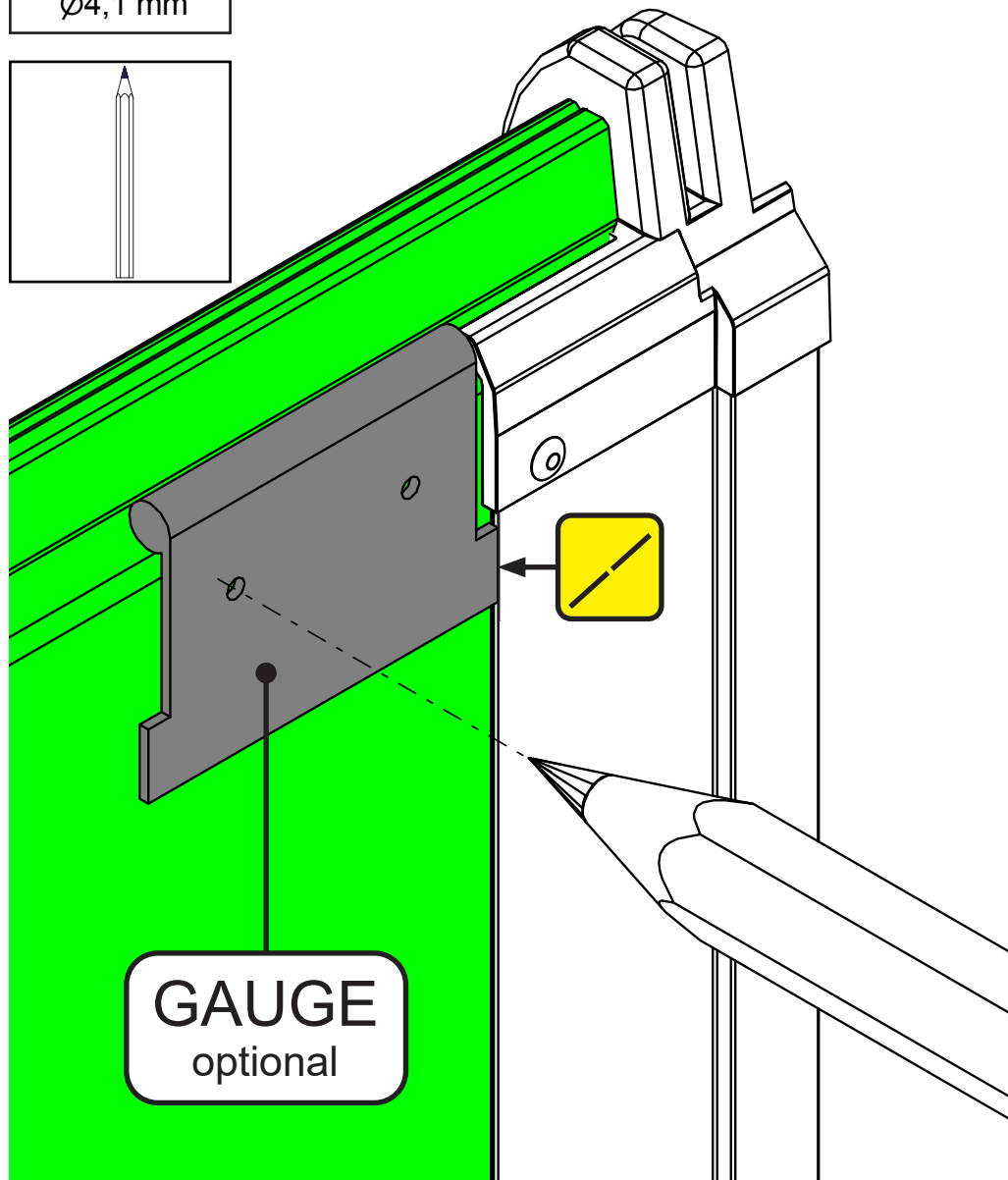
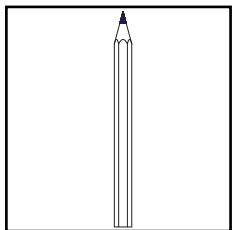
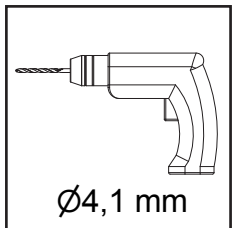
1135-C-FR

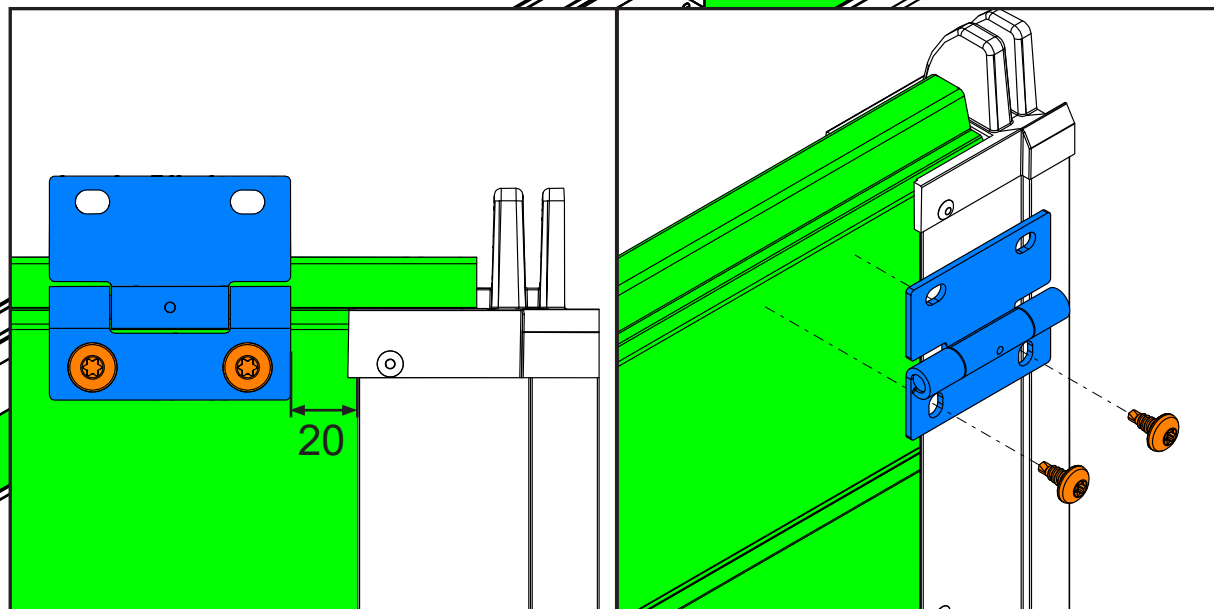
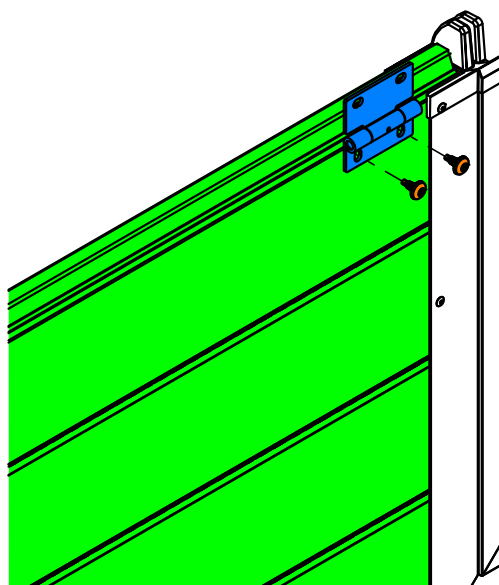
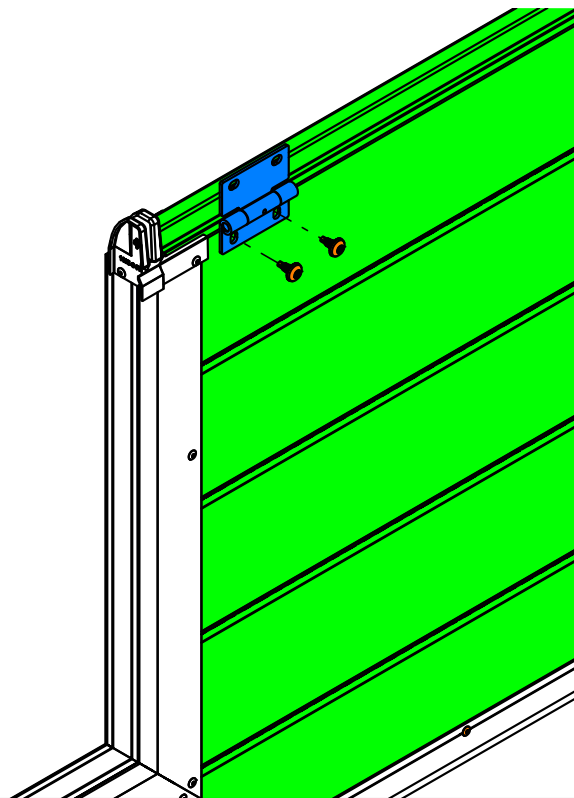
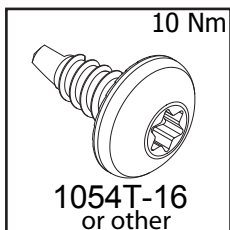
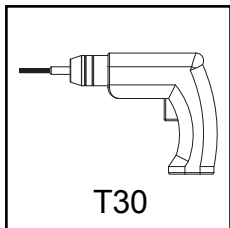


1135-CFL

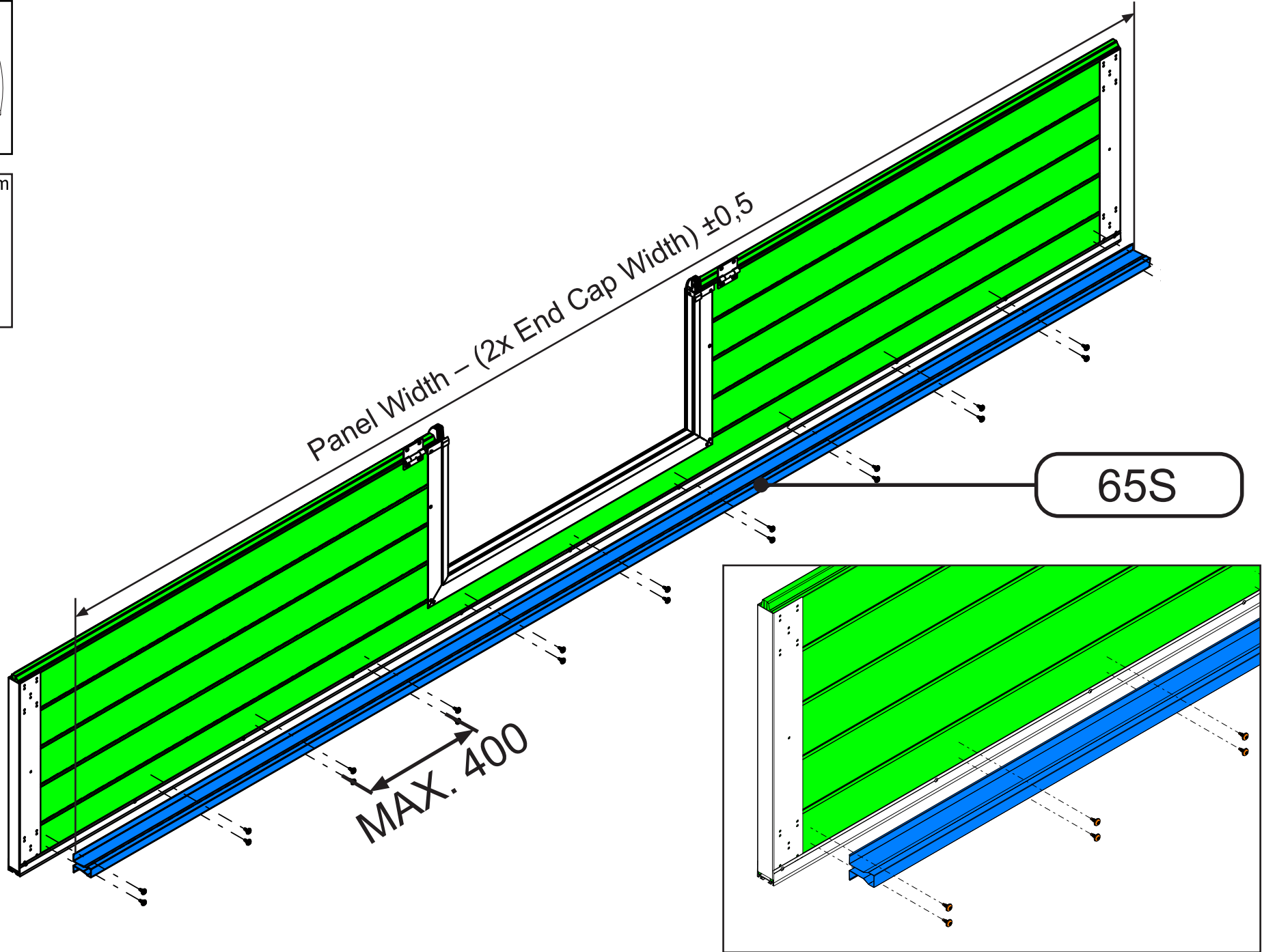
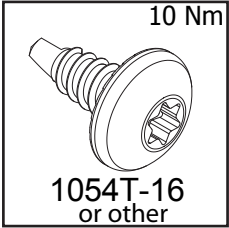
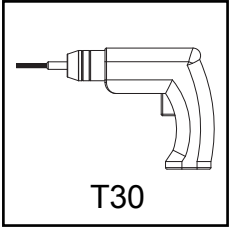








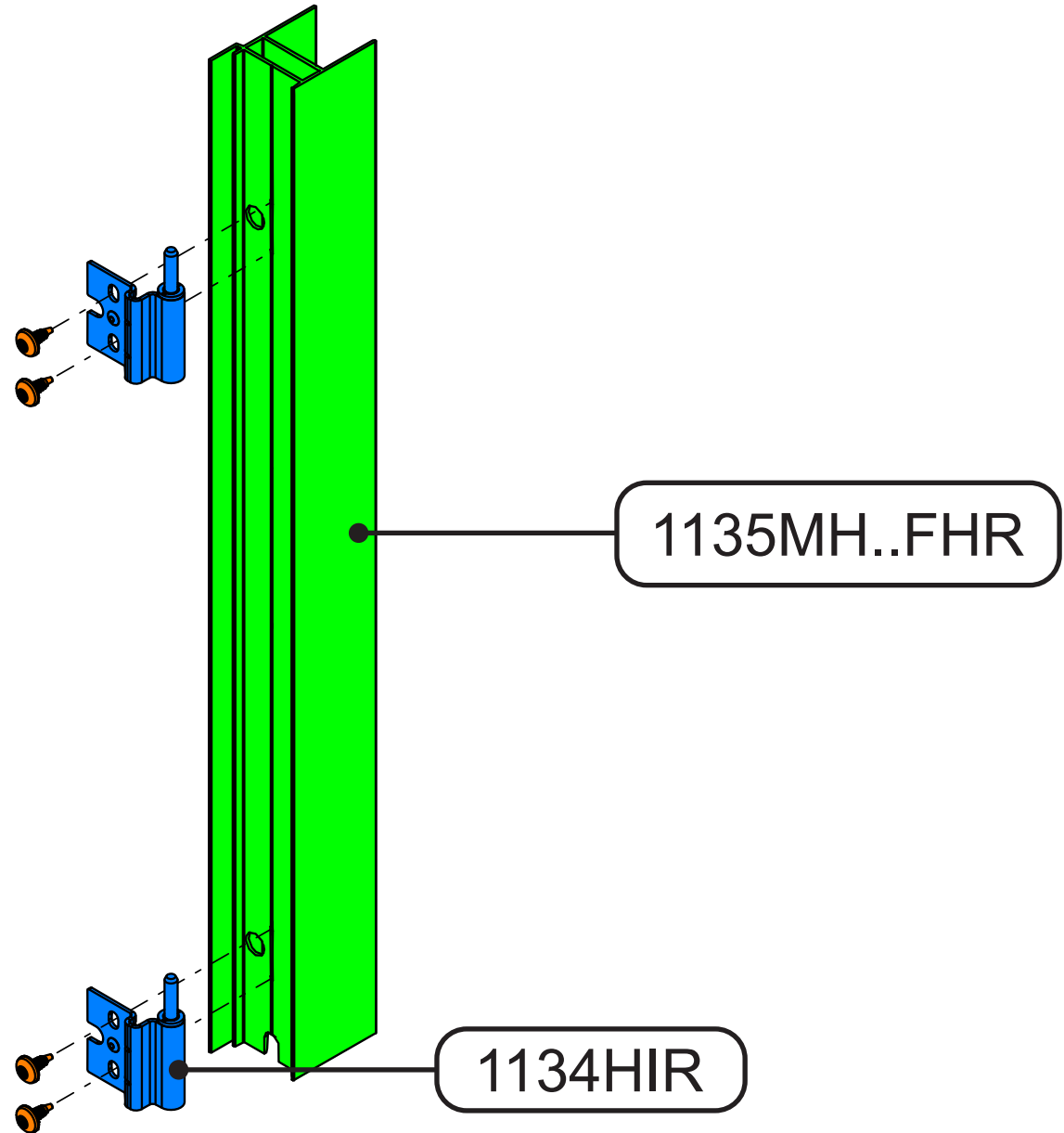
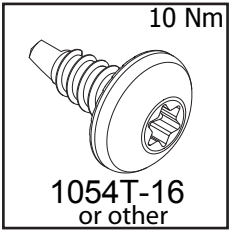
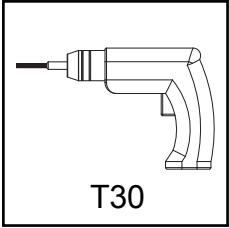
! See optional gauge on page 20

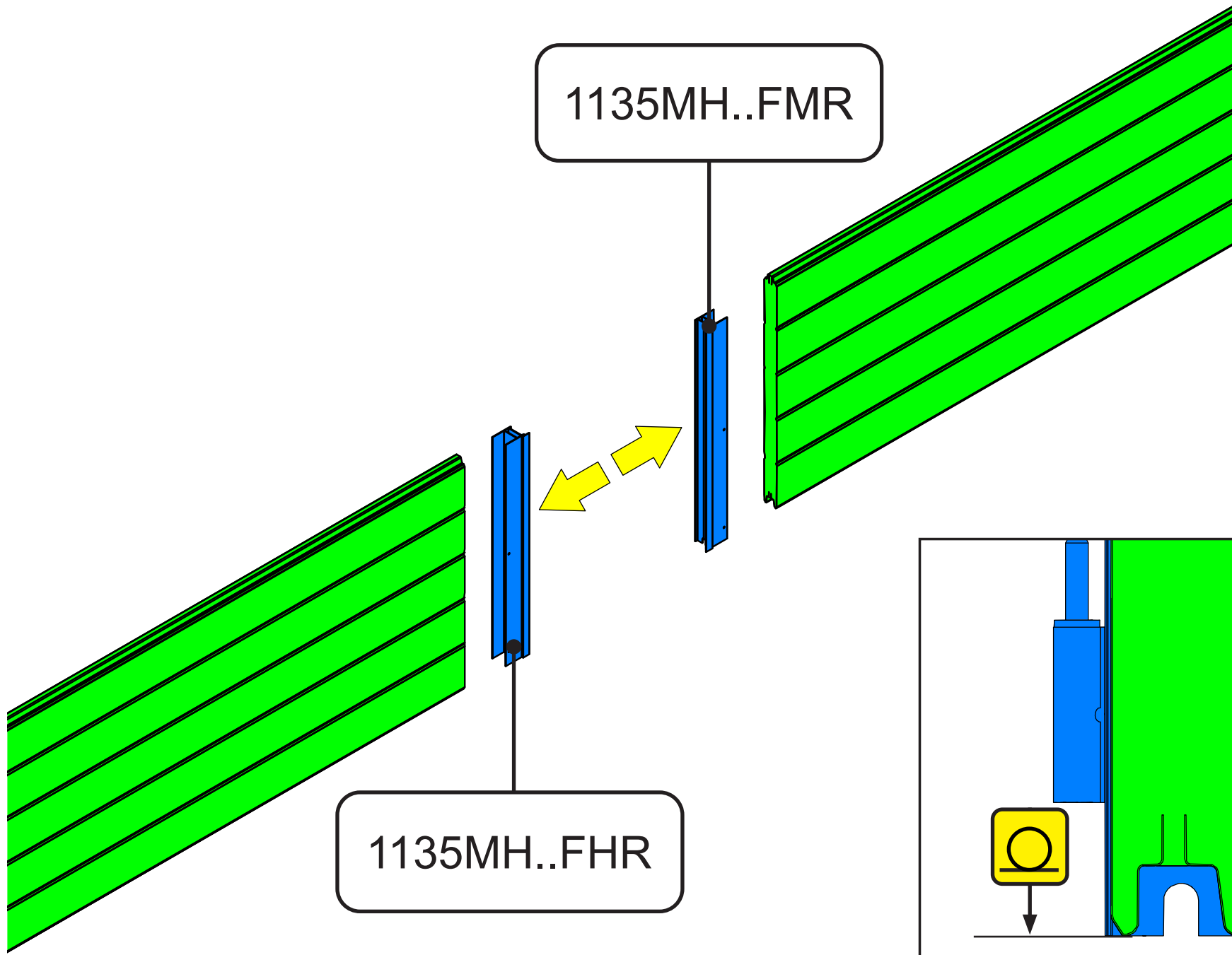


FF Installation manual

Frame middle sections assembly instructions

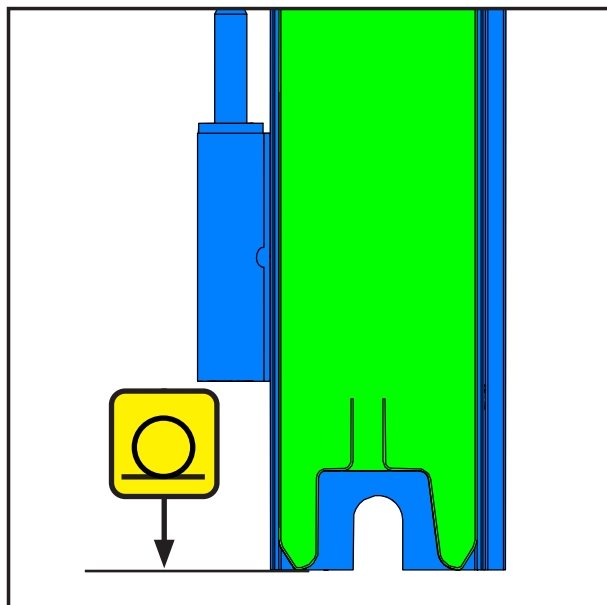


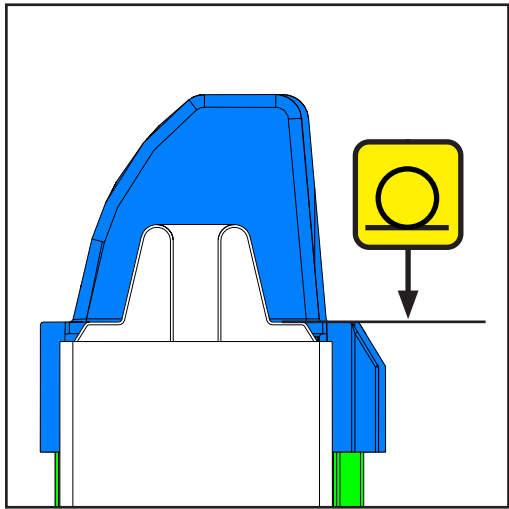




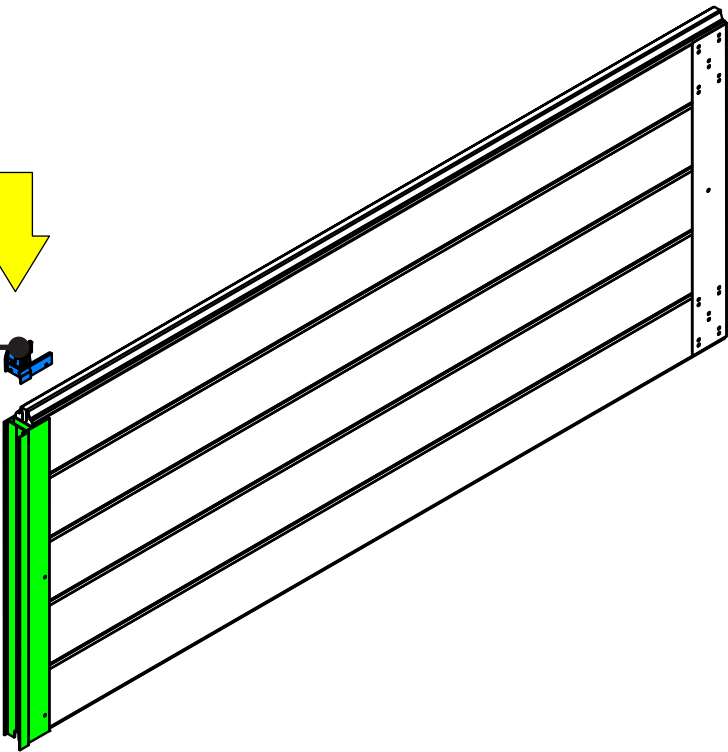
1135MH..FMR

1135MH..FHR

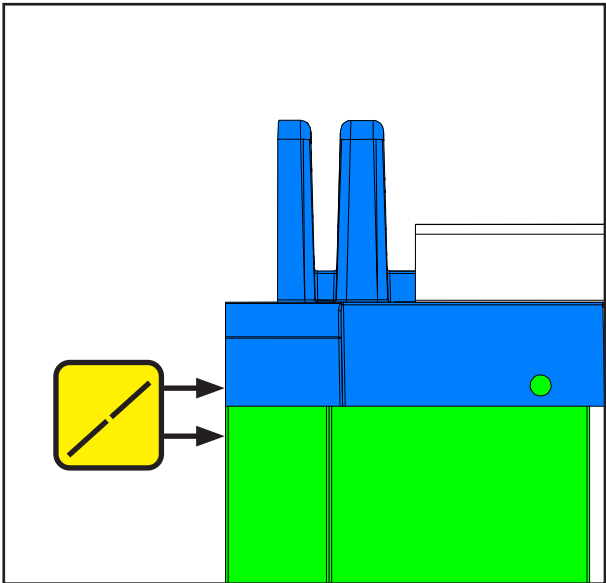
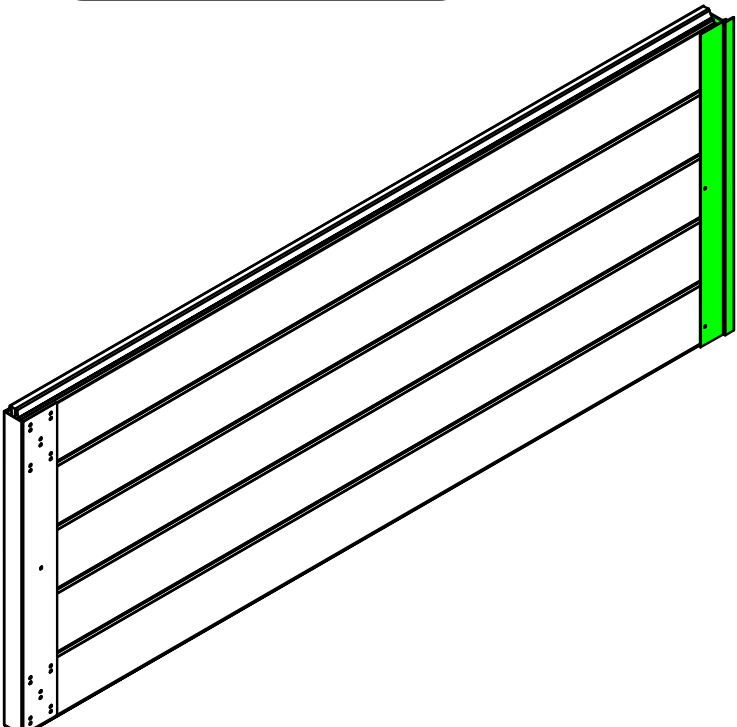


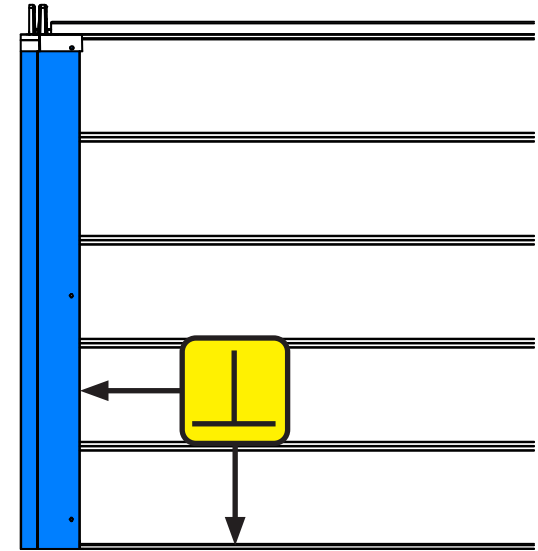
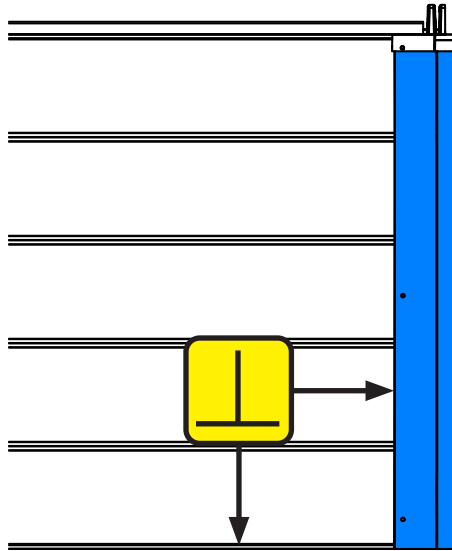
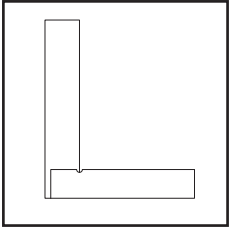


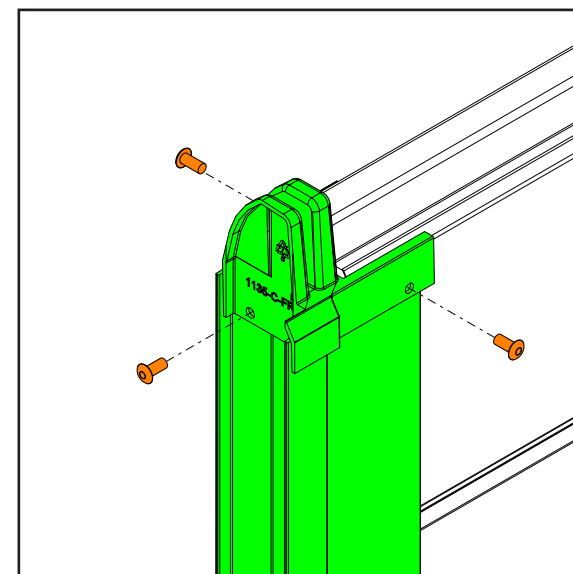
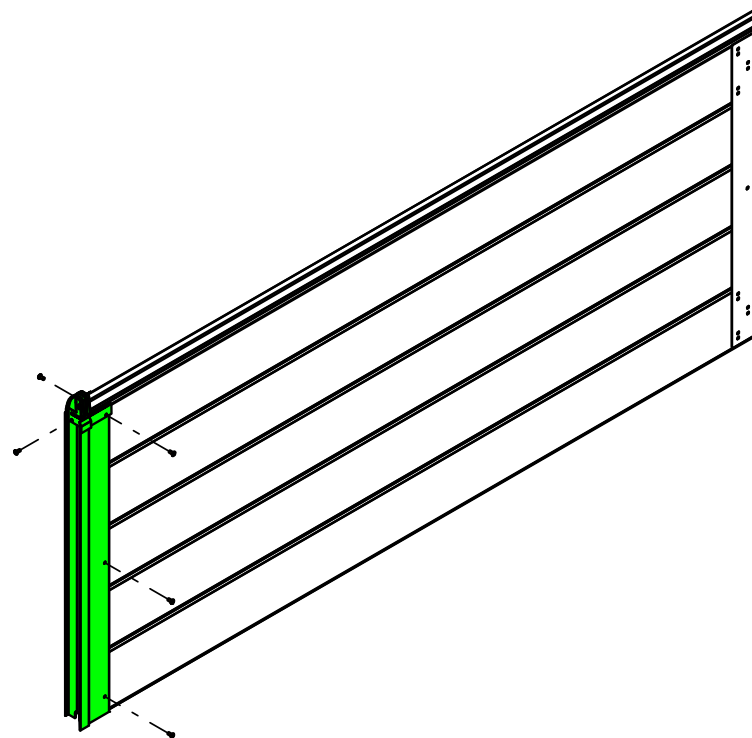
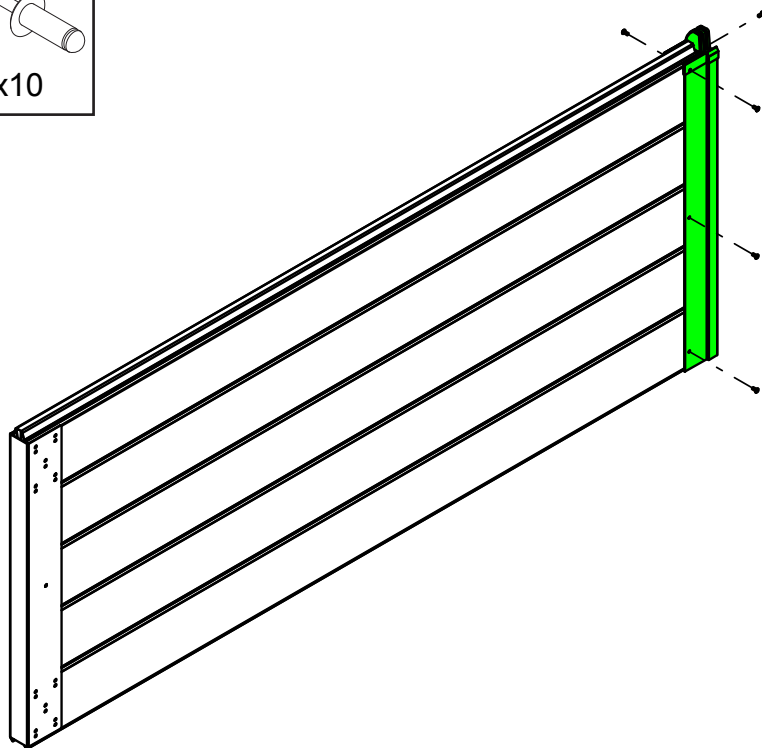
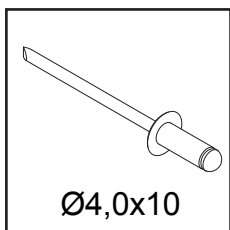
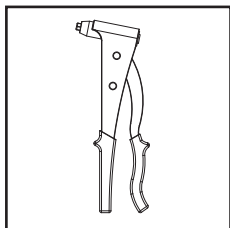
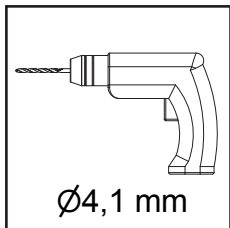
1135-C-FR

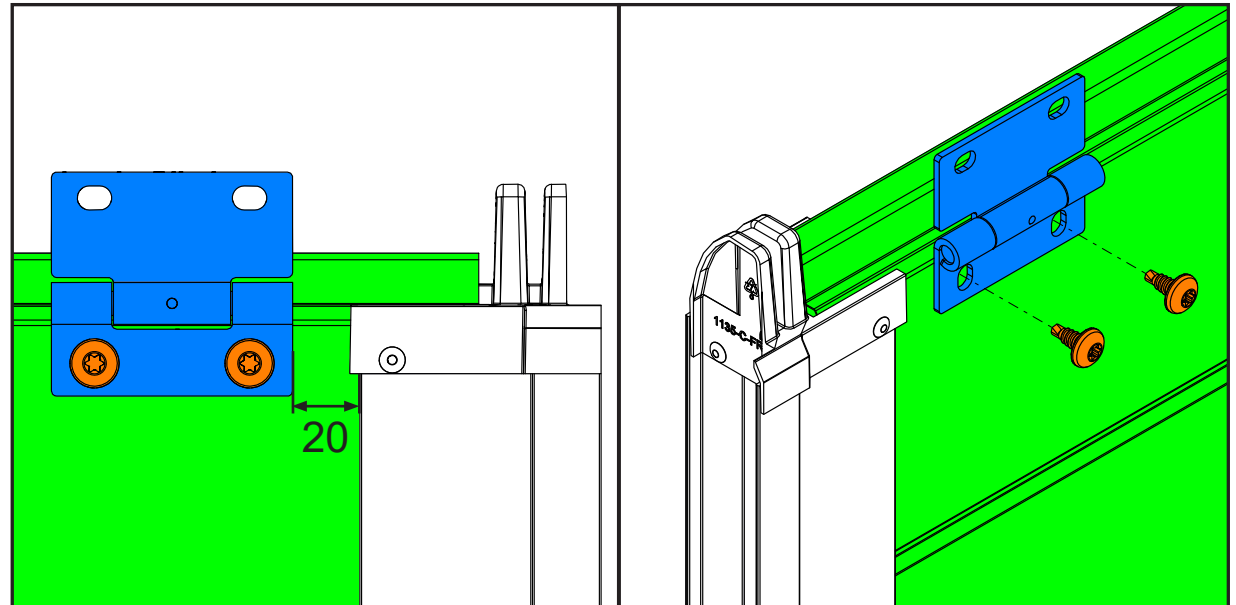
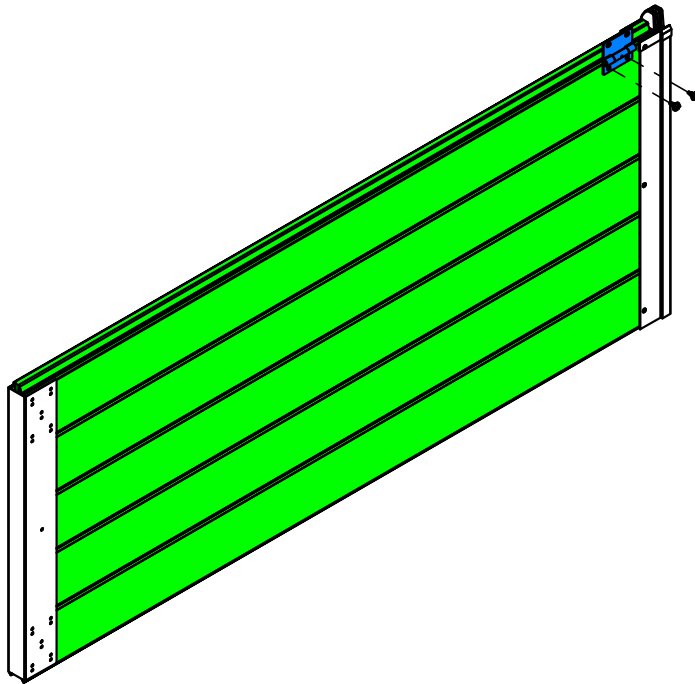
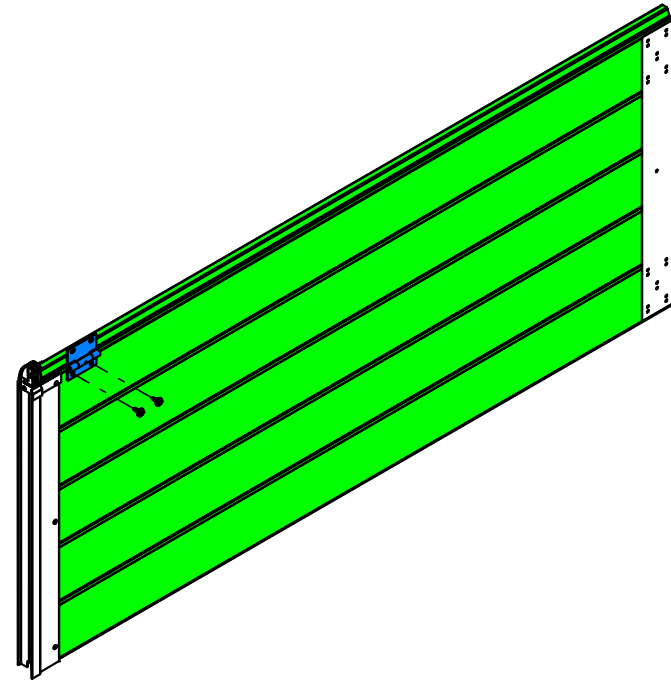
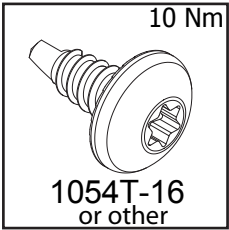
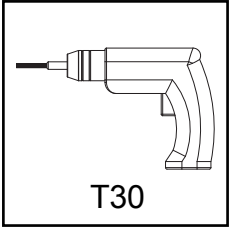


1135-C-FL







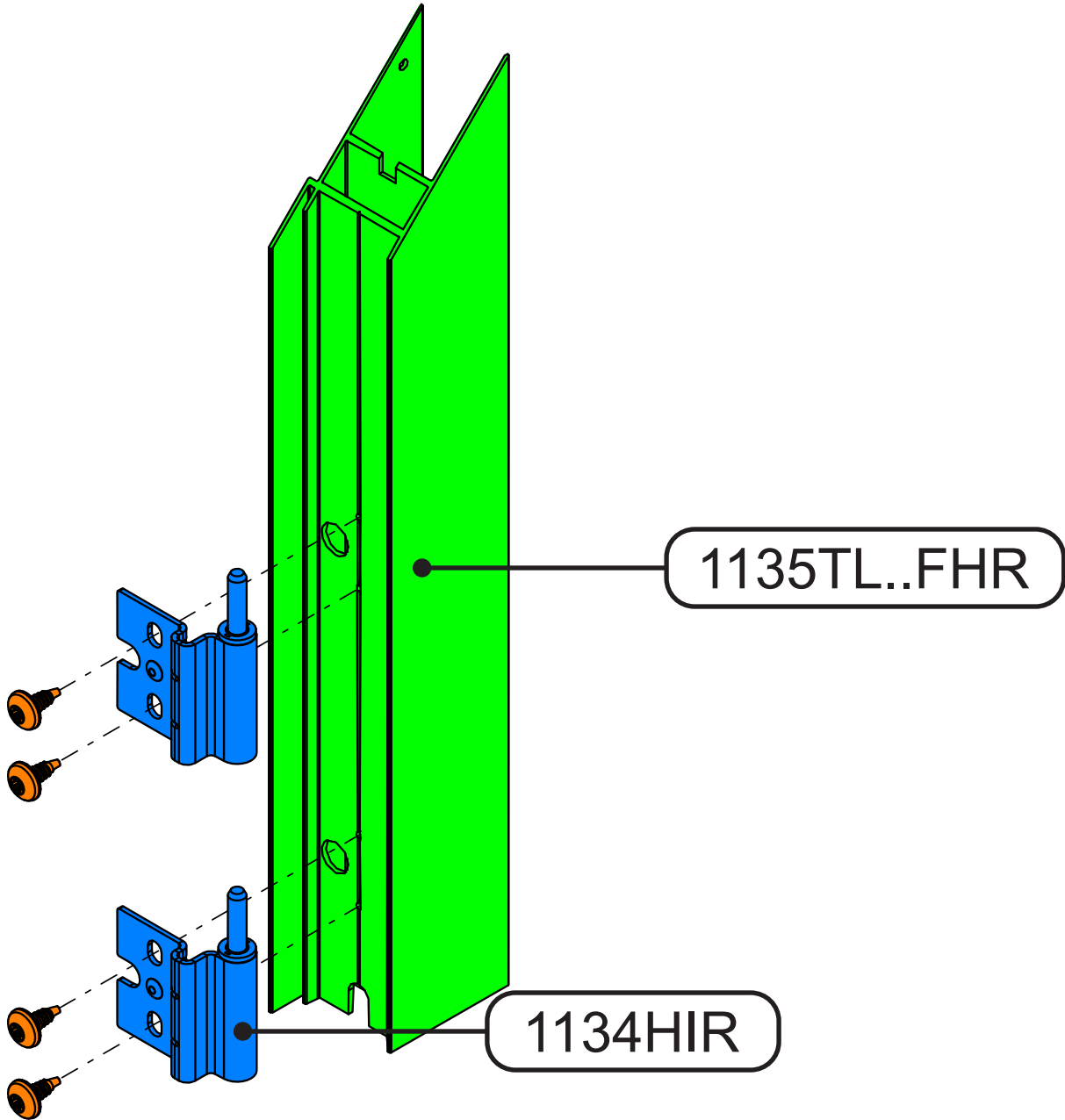
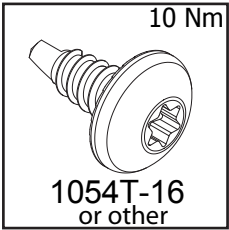
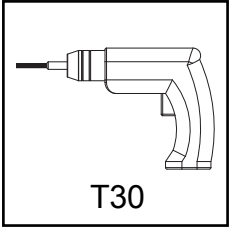


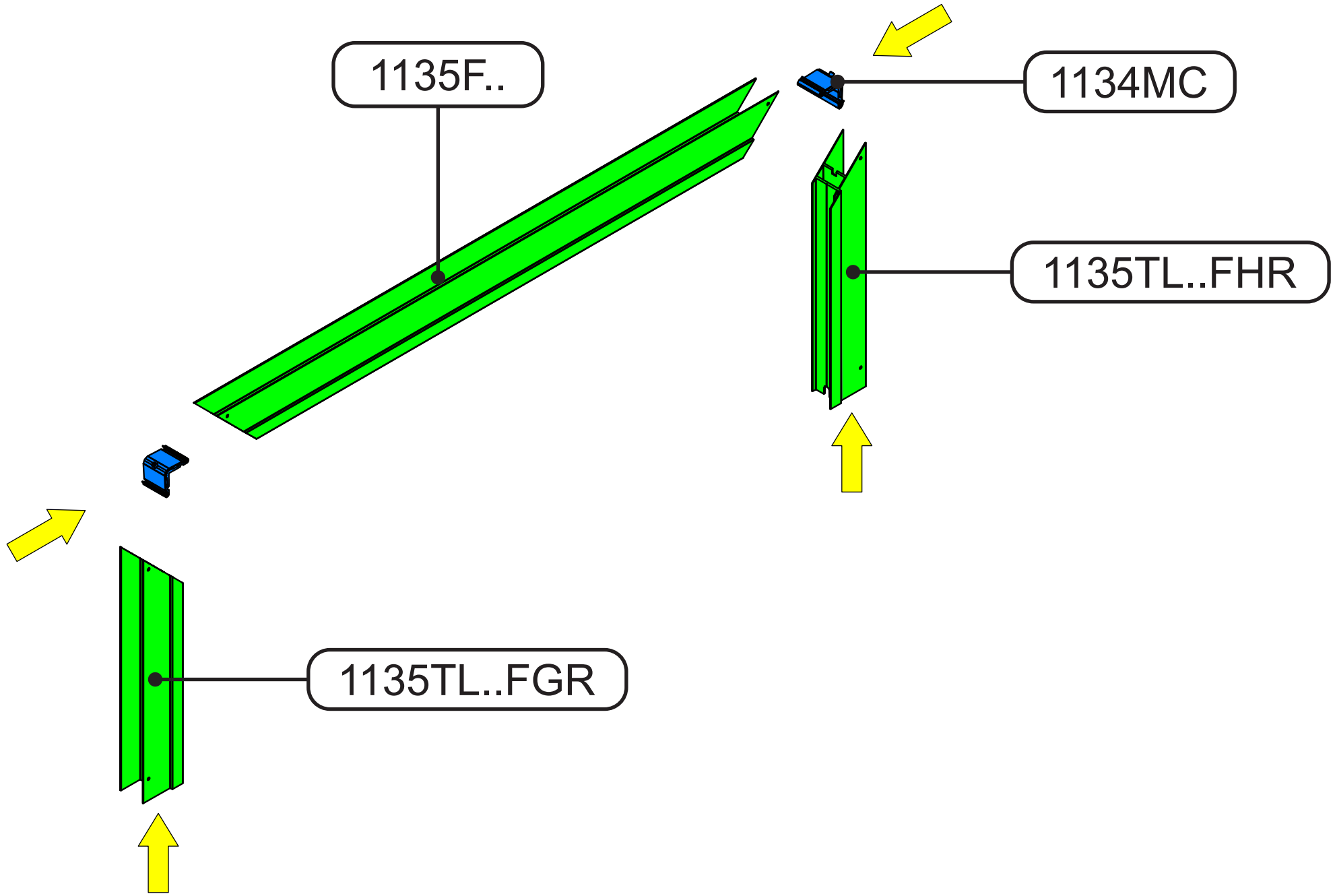
! See optional gauge on page 20

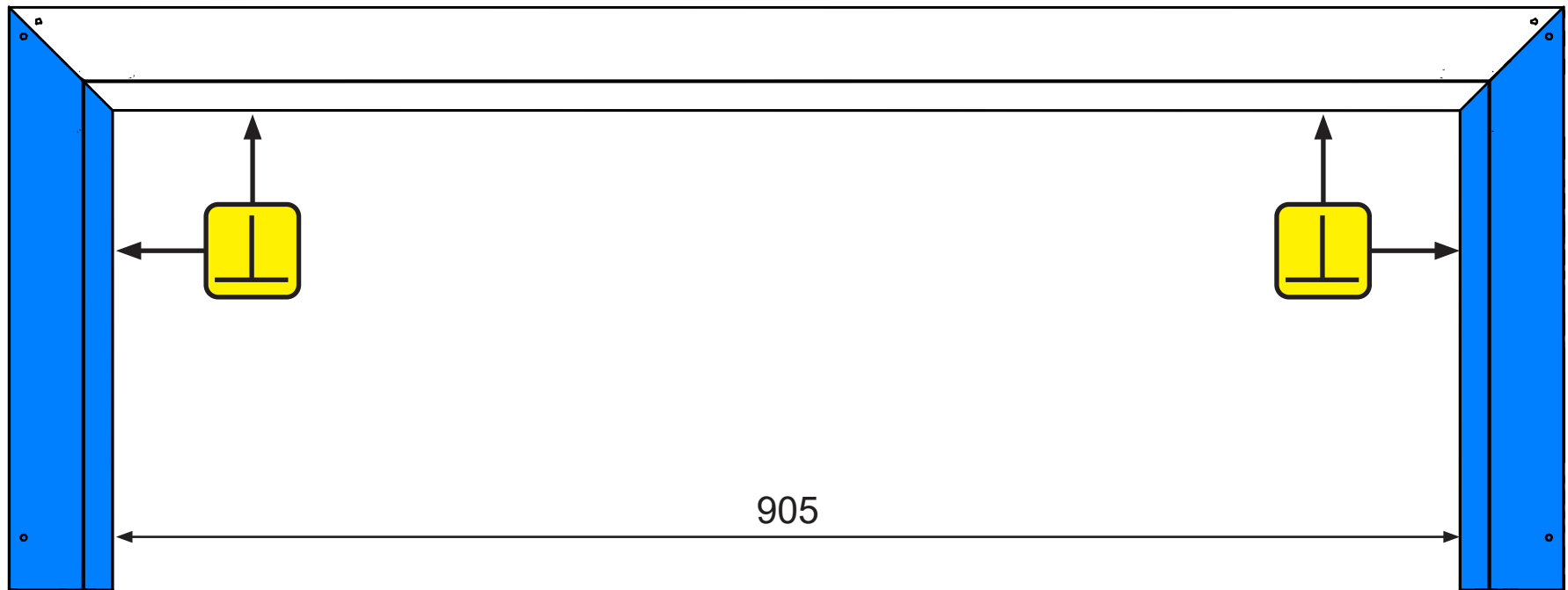
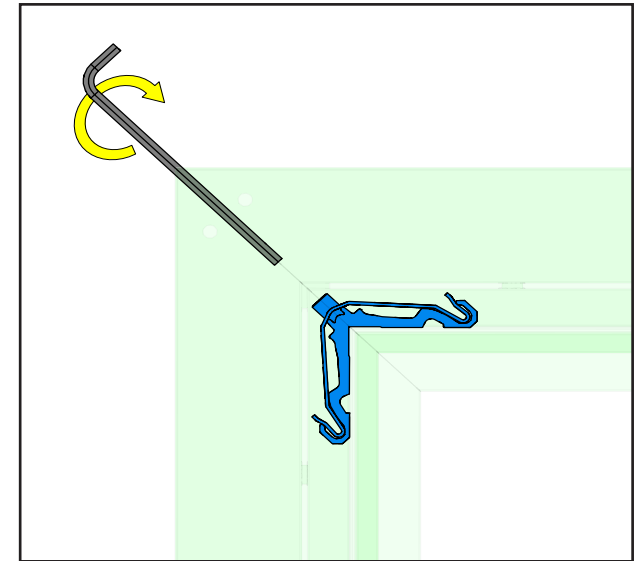
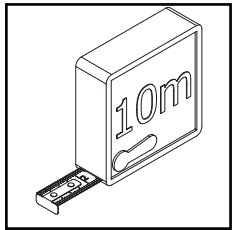
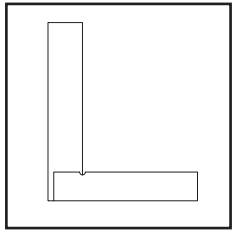
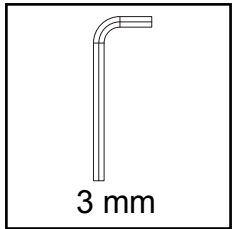
FF Installation manual

Frame top section assembly instructions

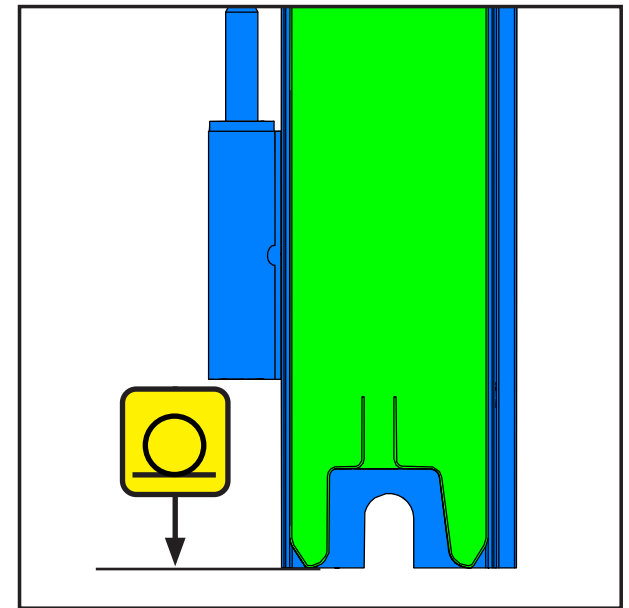
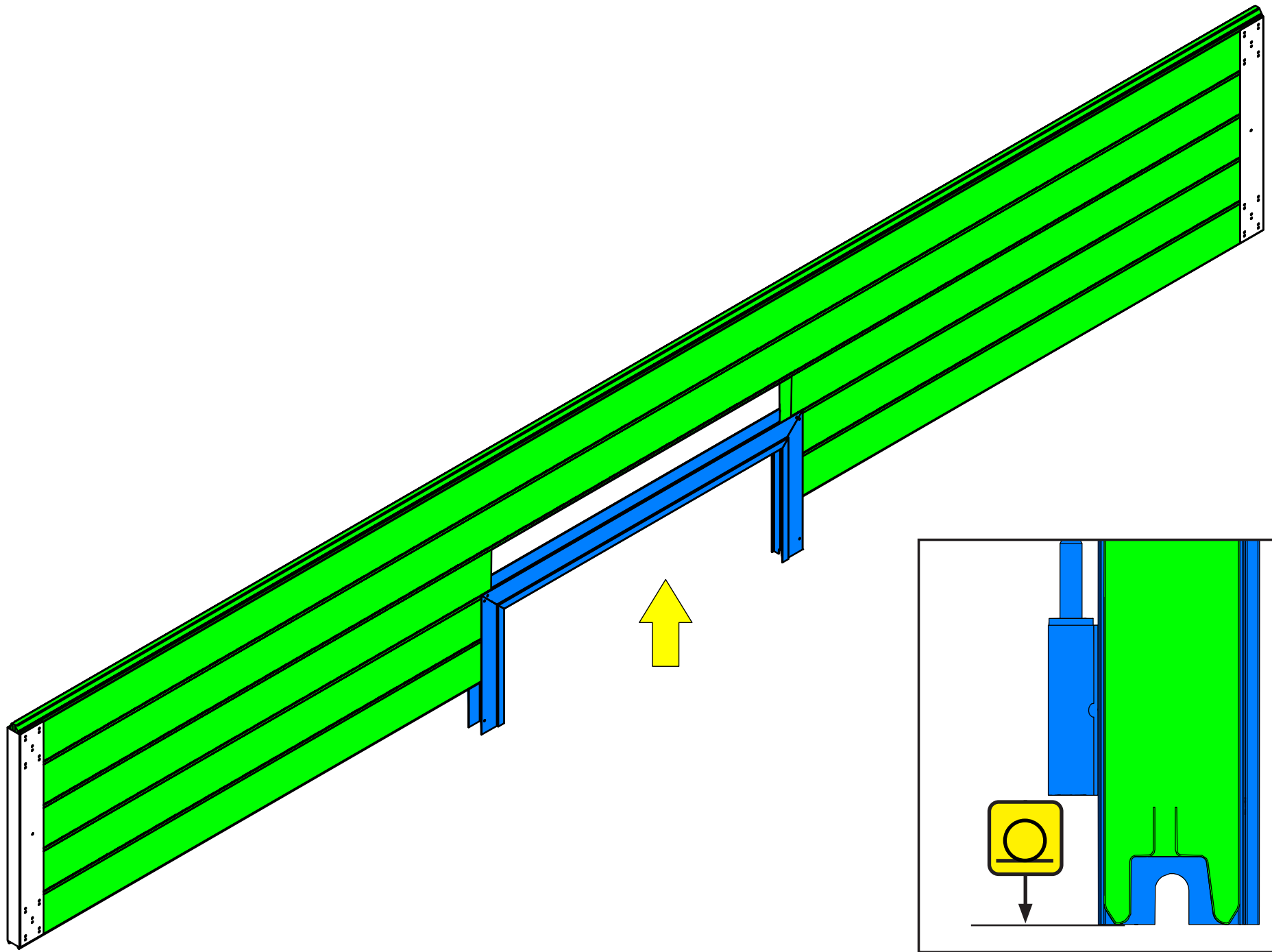


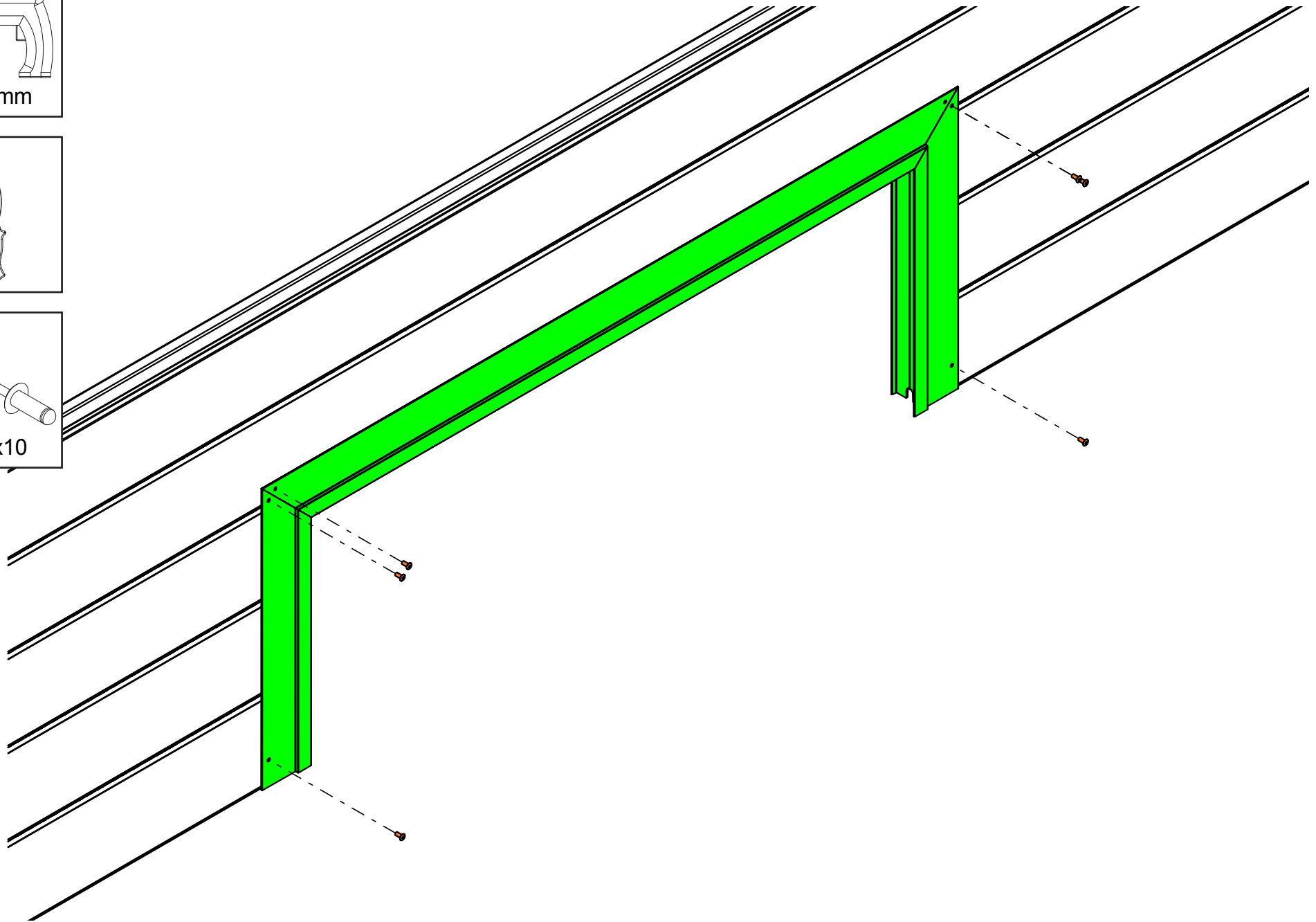
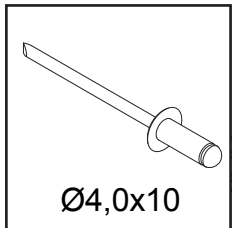
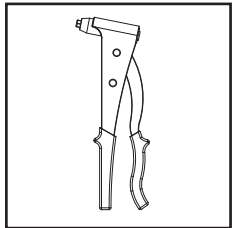
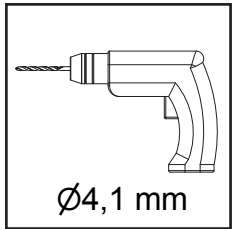


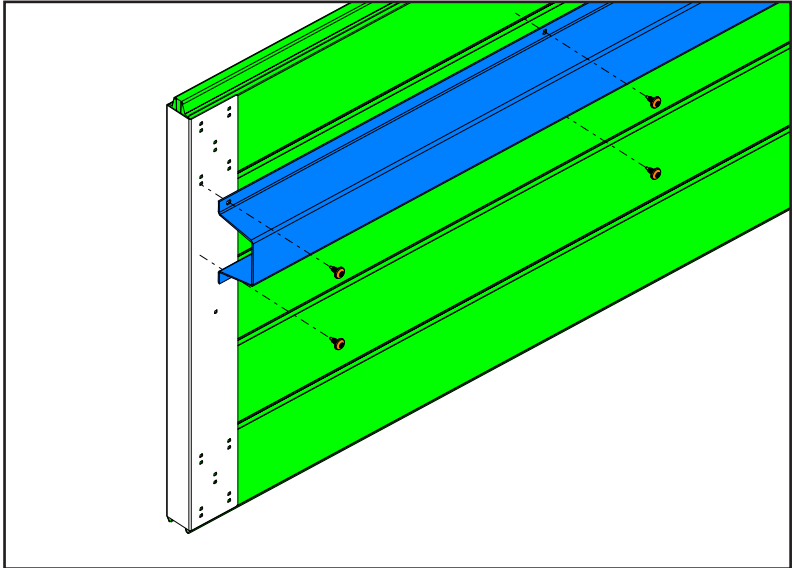
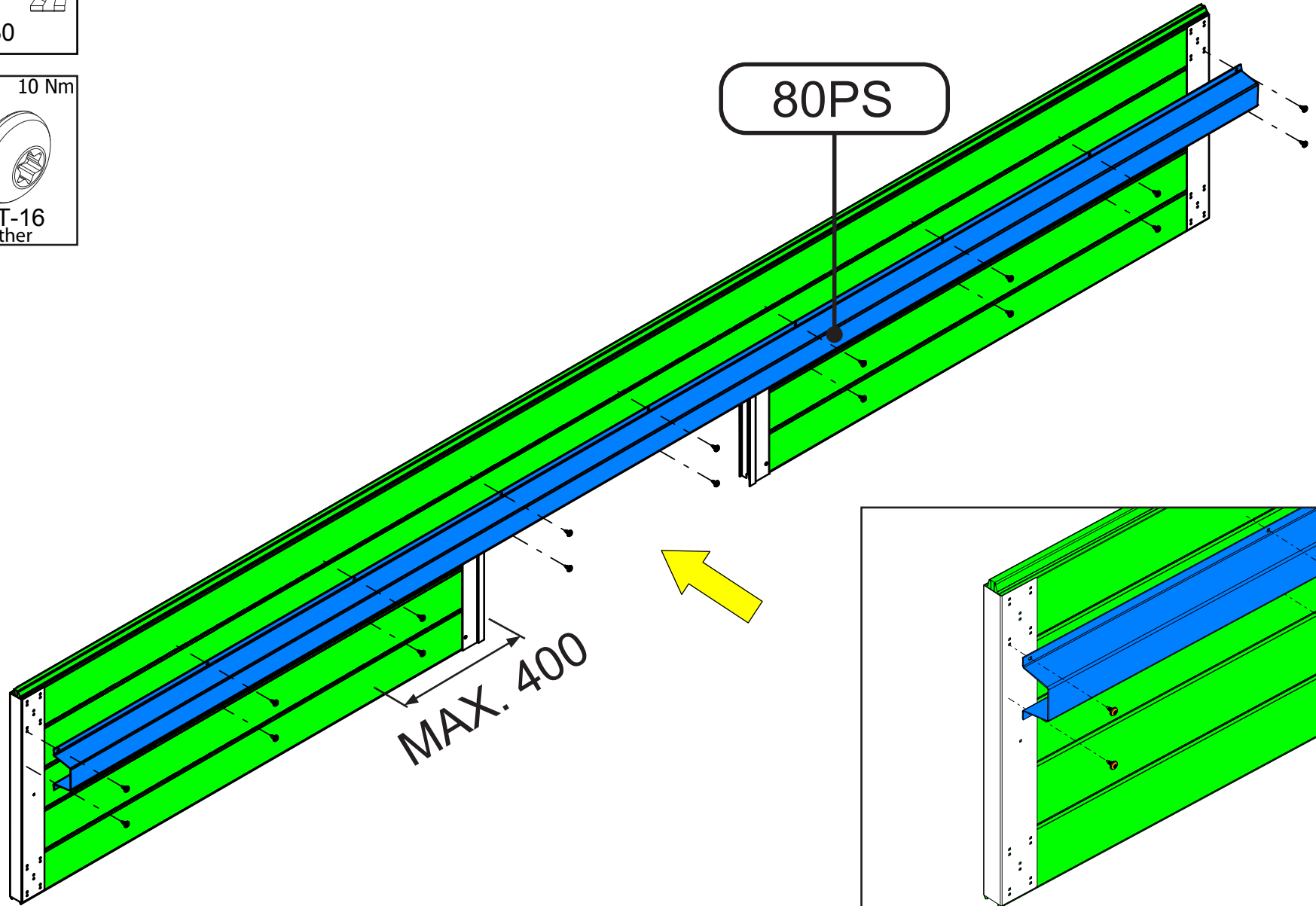
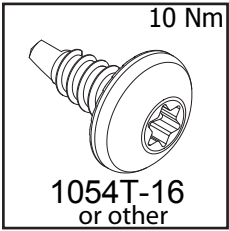
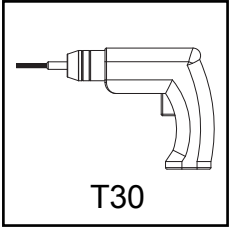




905

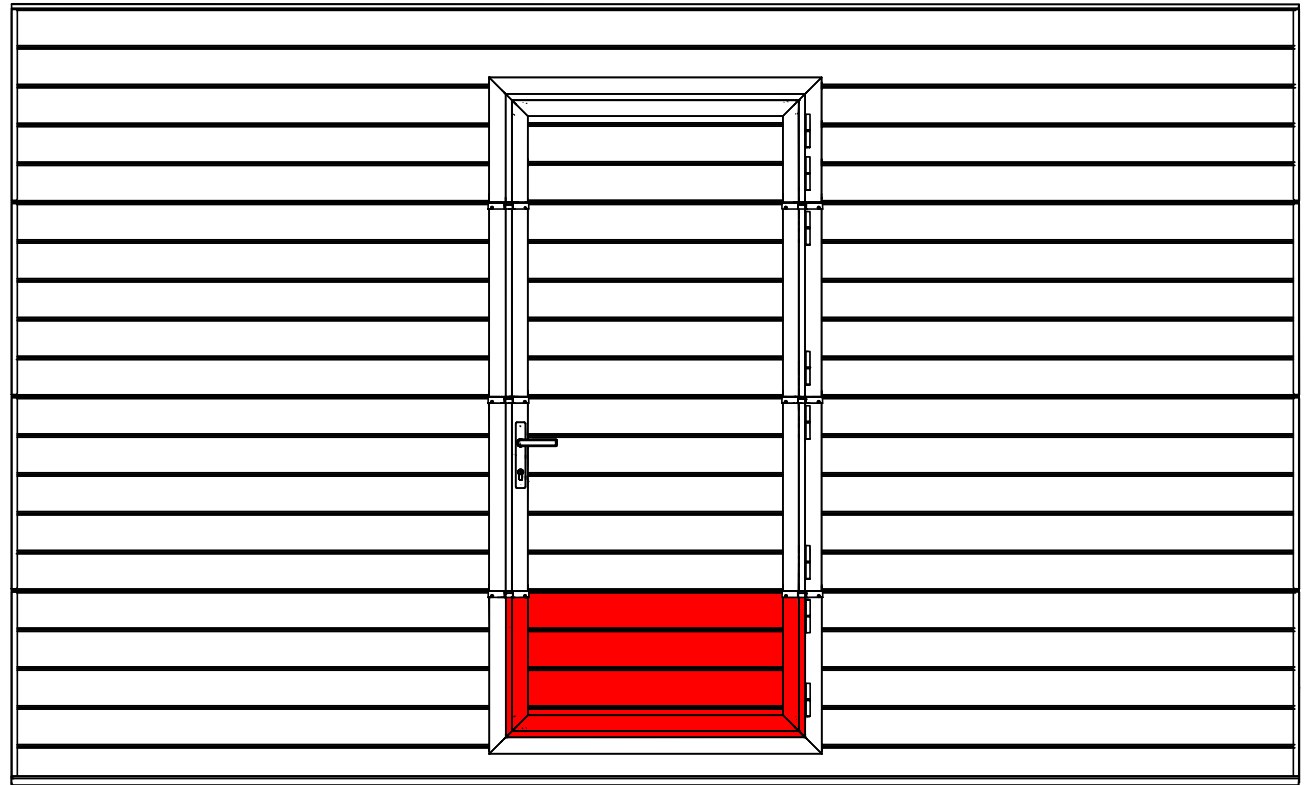


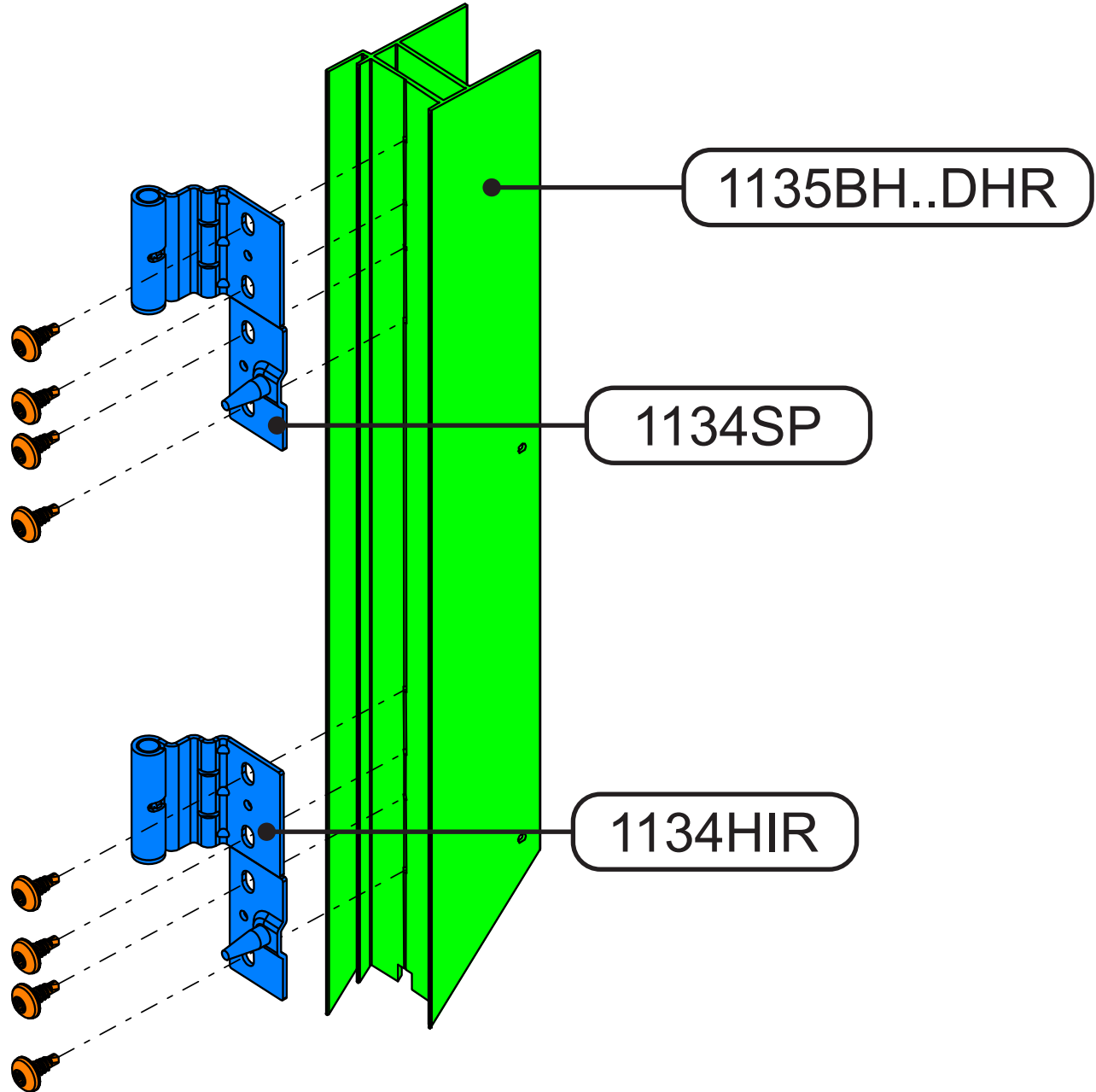
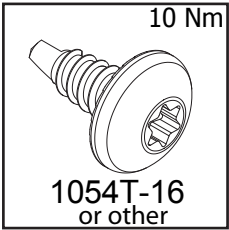
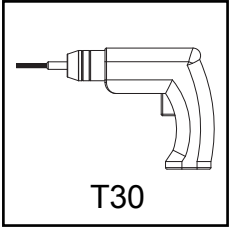


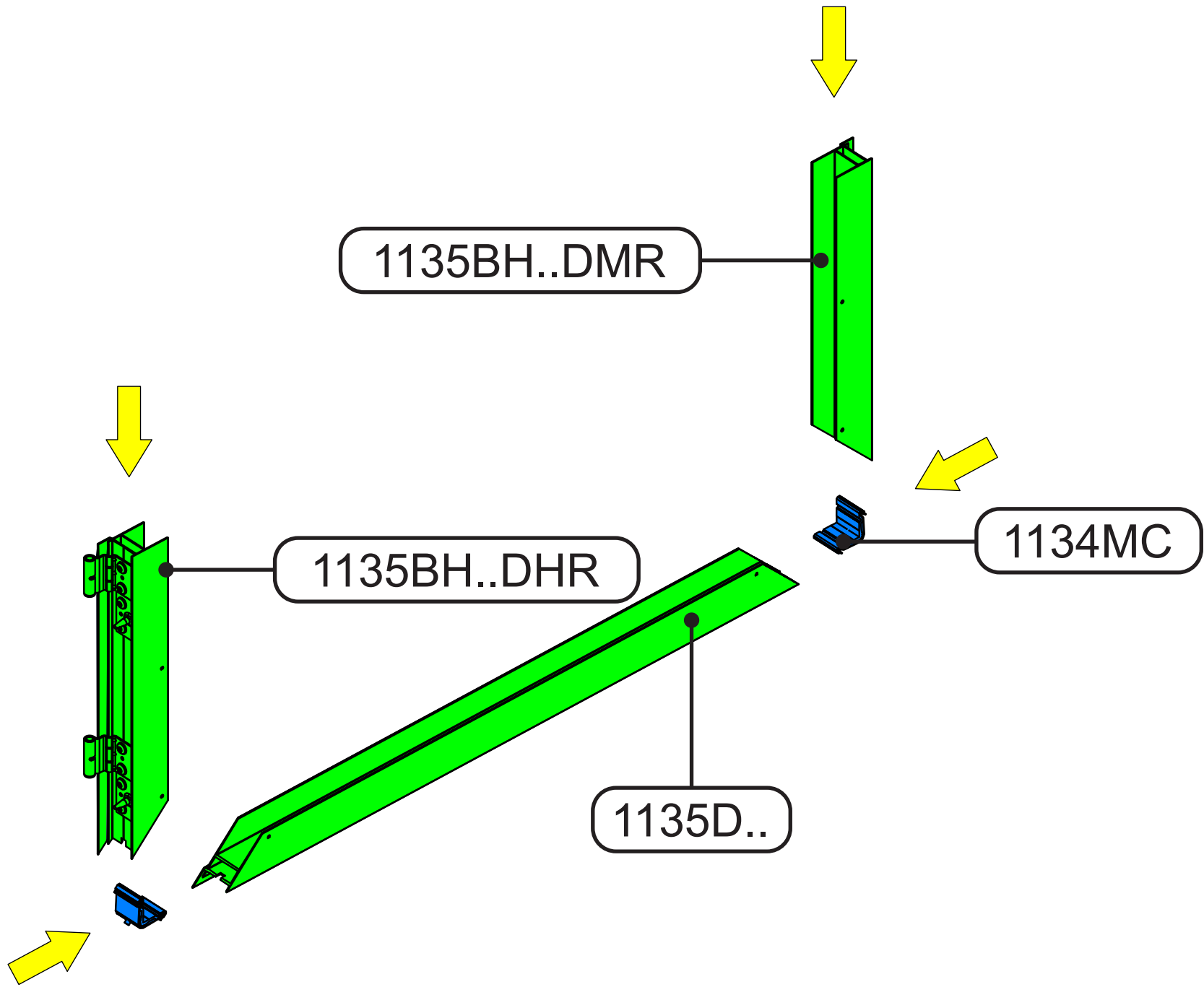


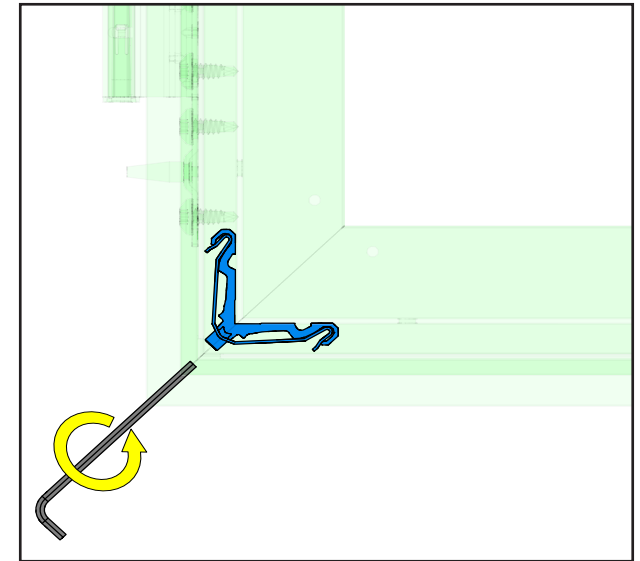
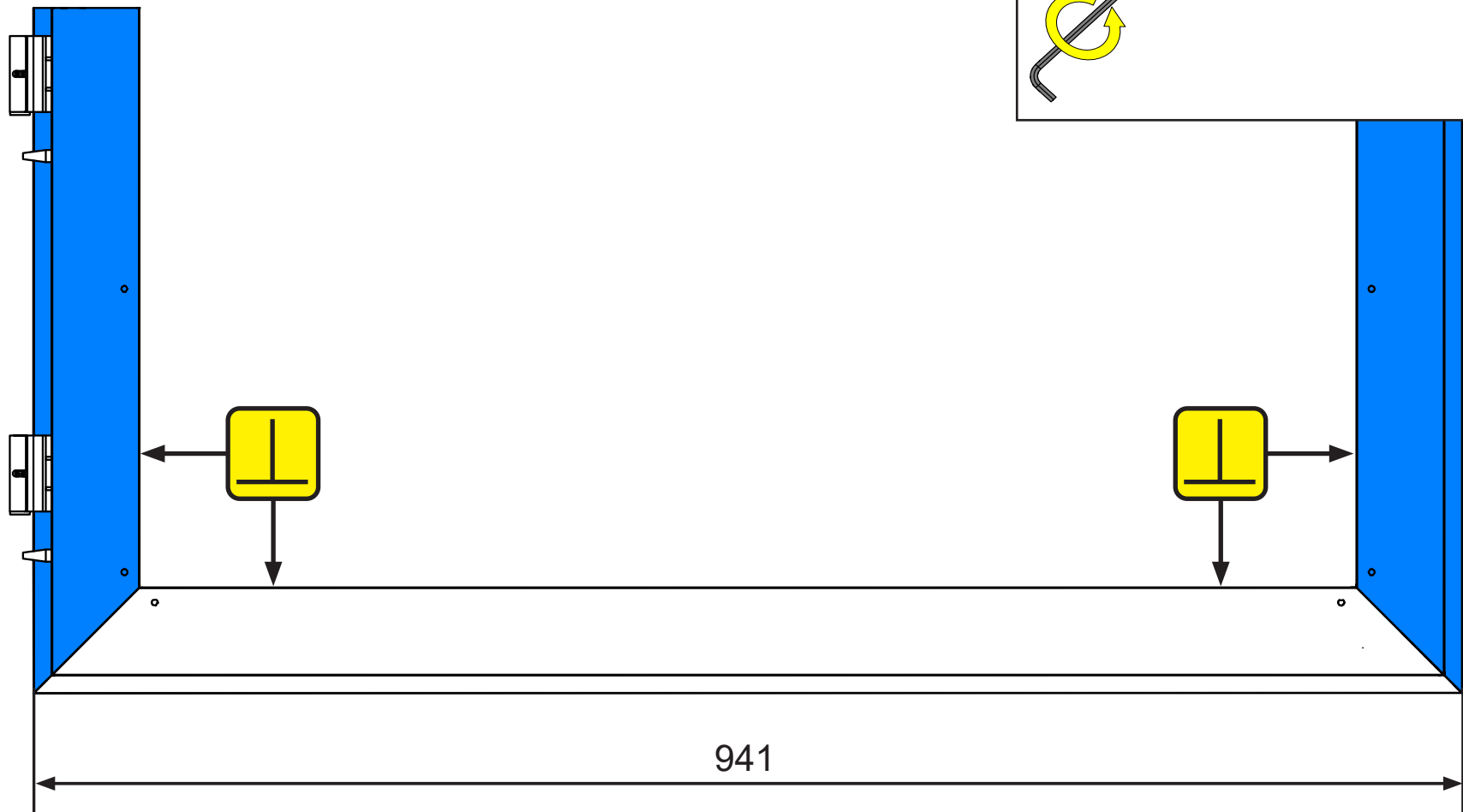
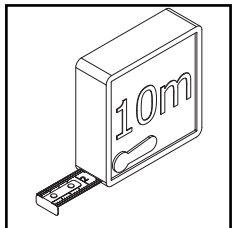
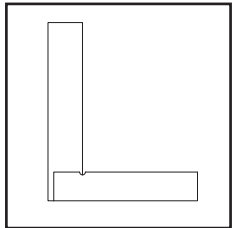
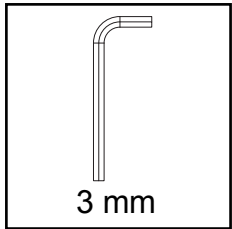
FF Installation manual

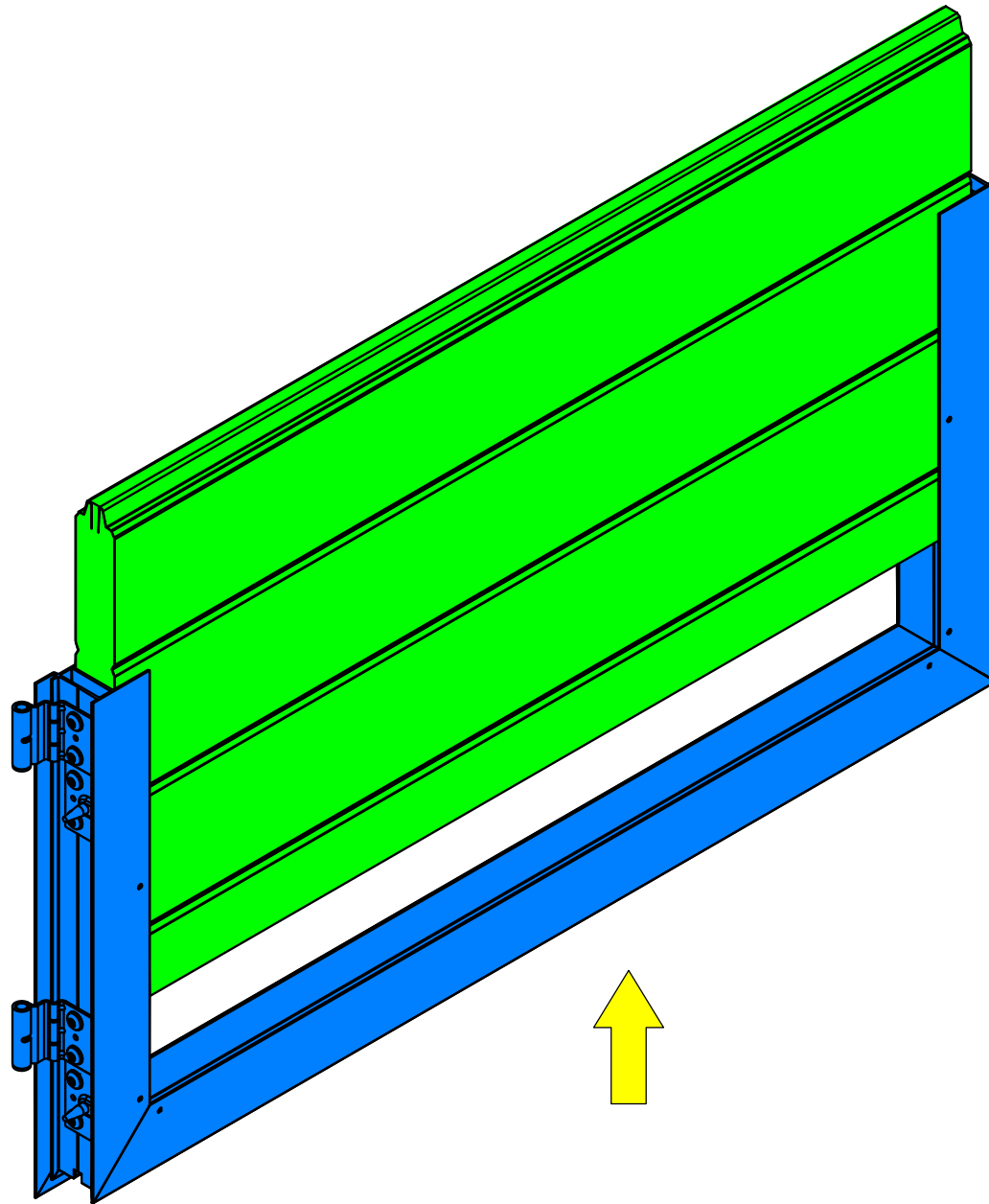
Door bottom section assembly instructions

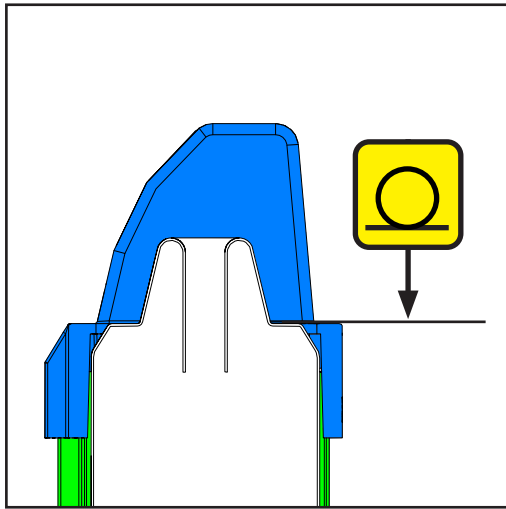




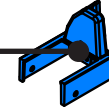




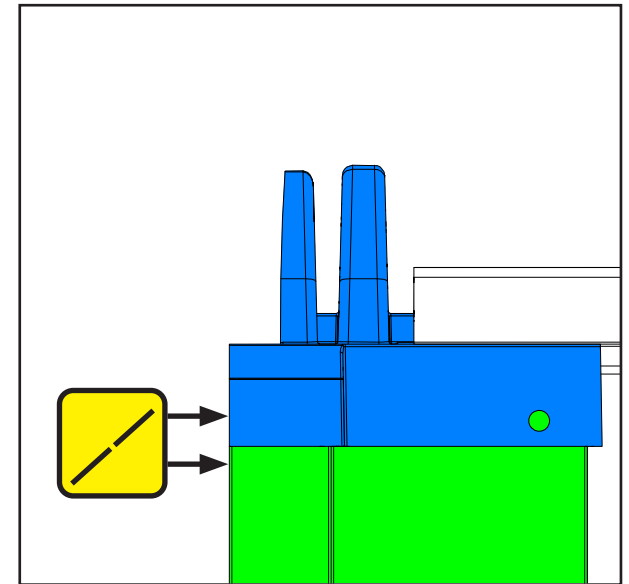
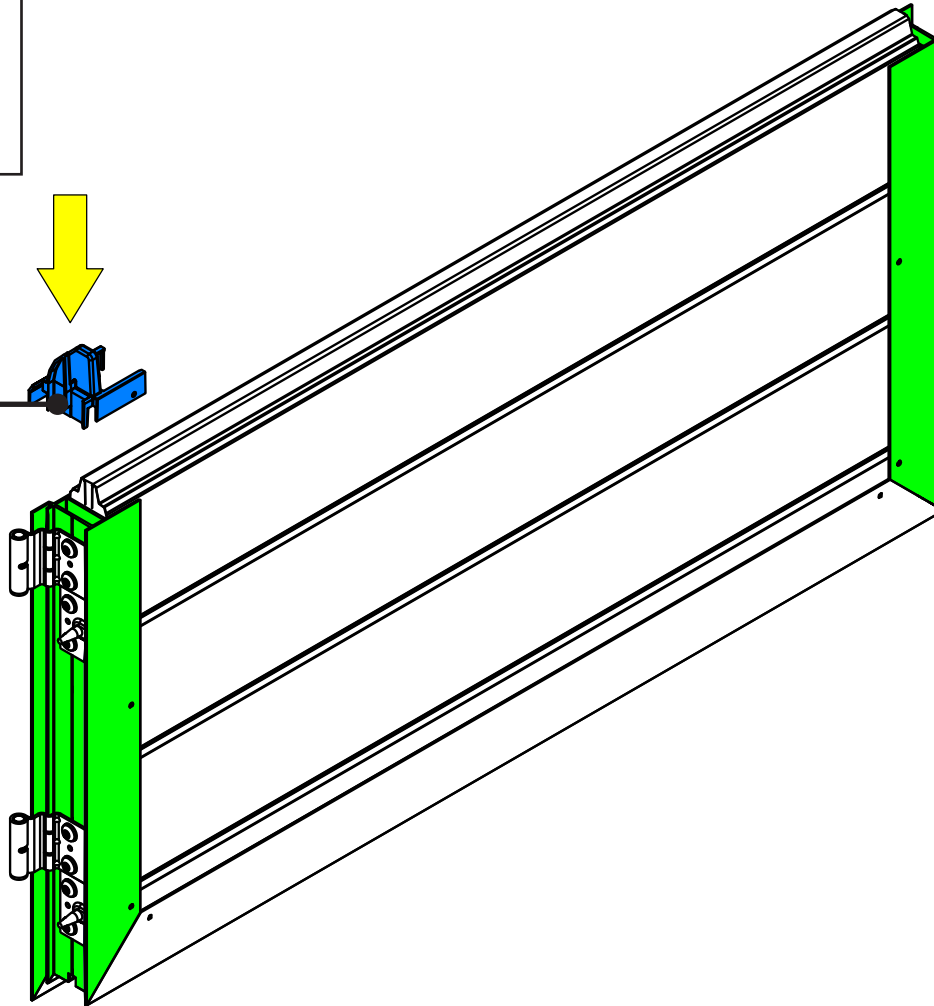
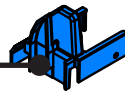
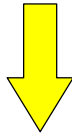


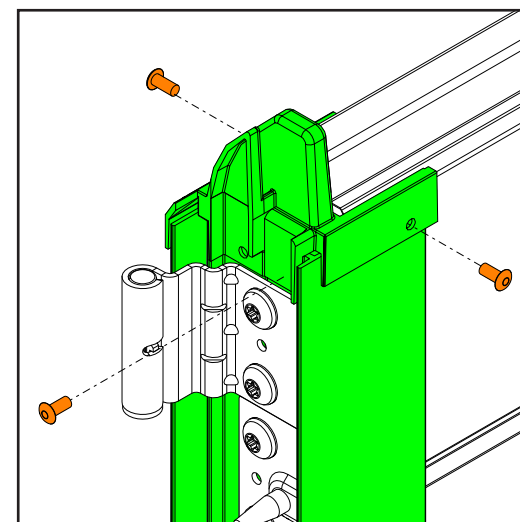
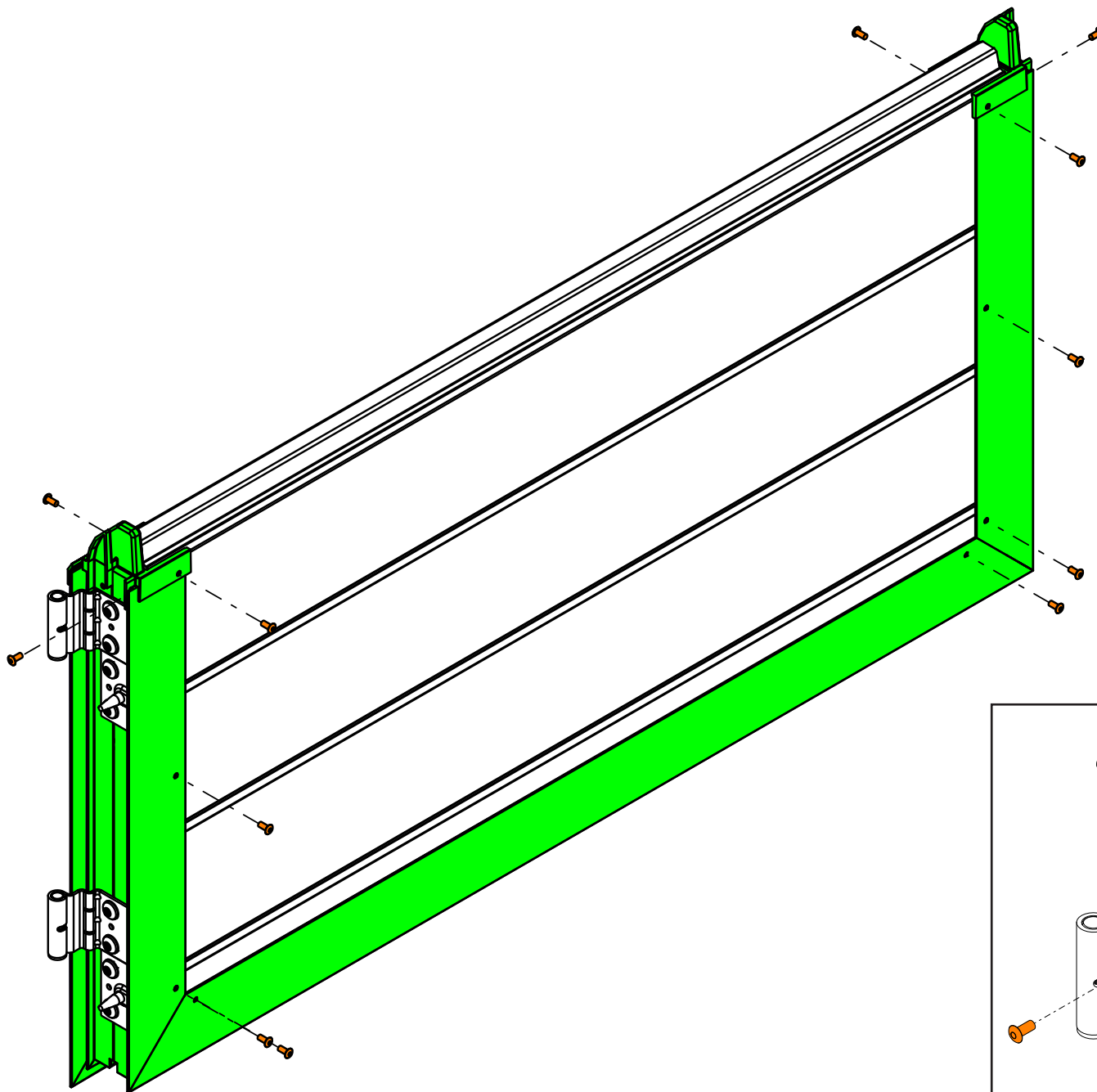
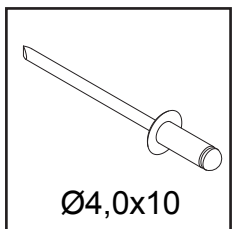
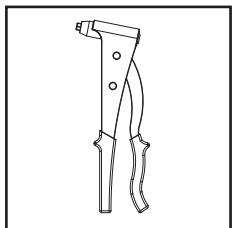
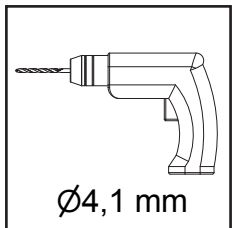


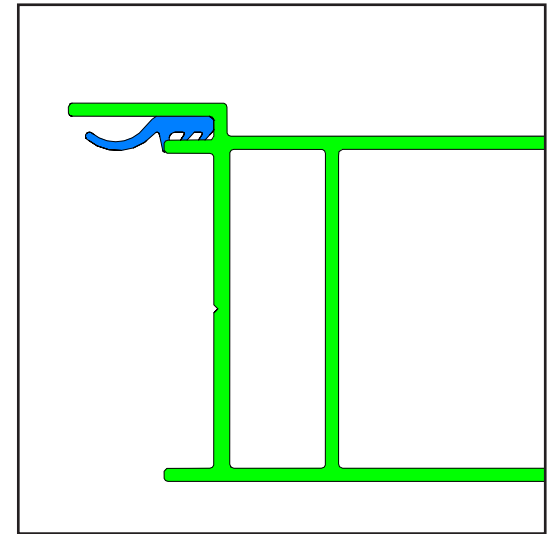
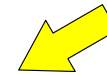
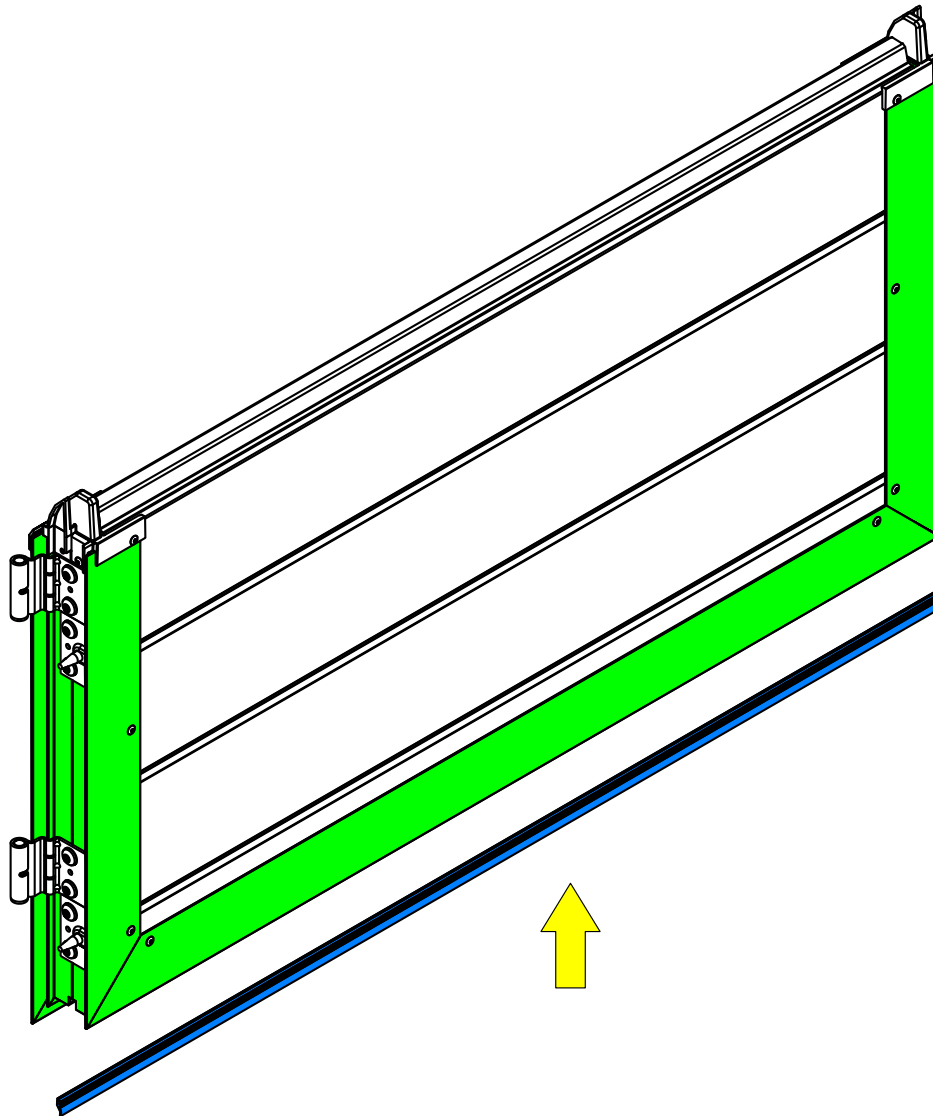
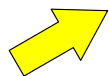
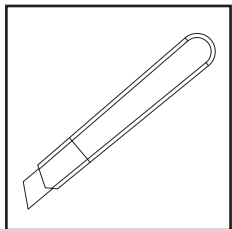
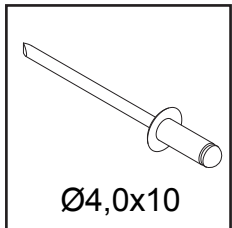
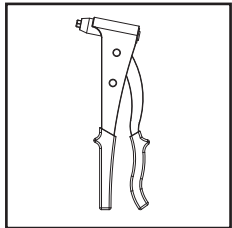
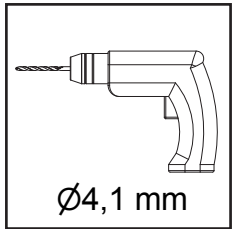
1135-C-DL



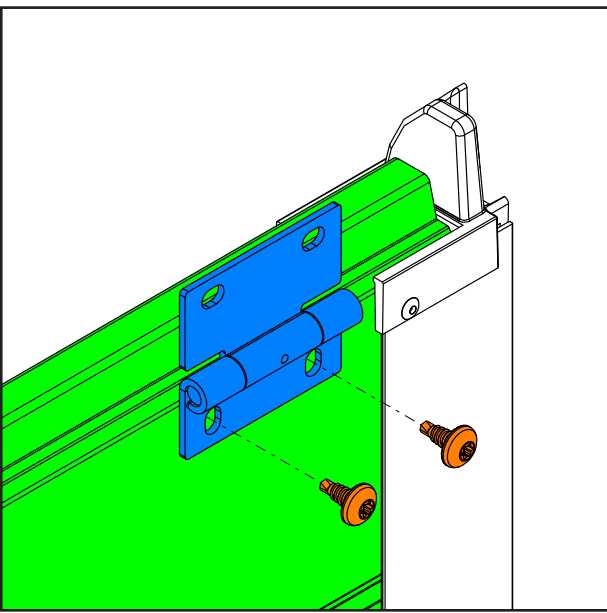
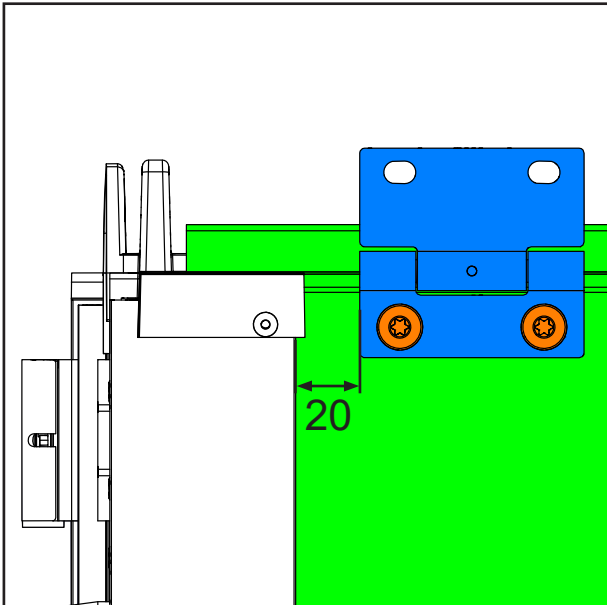
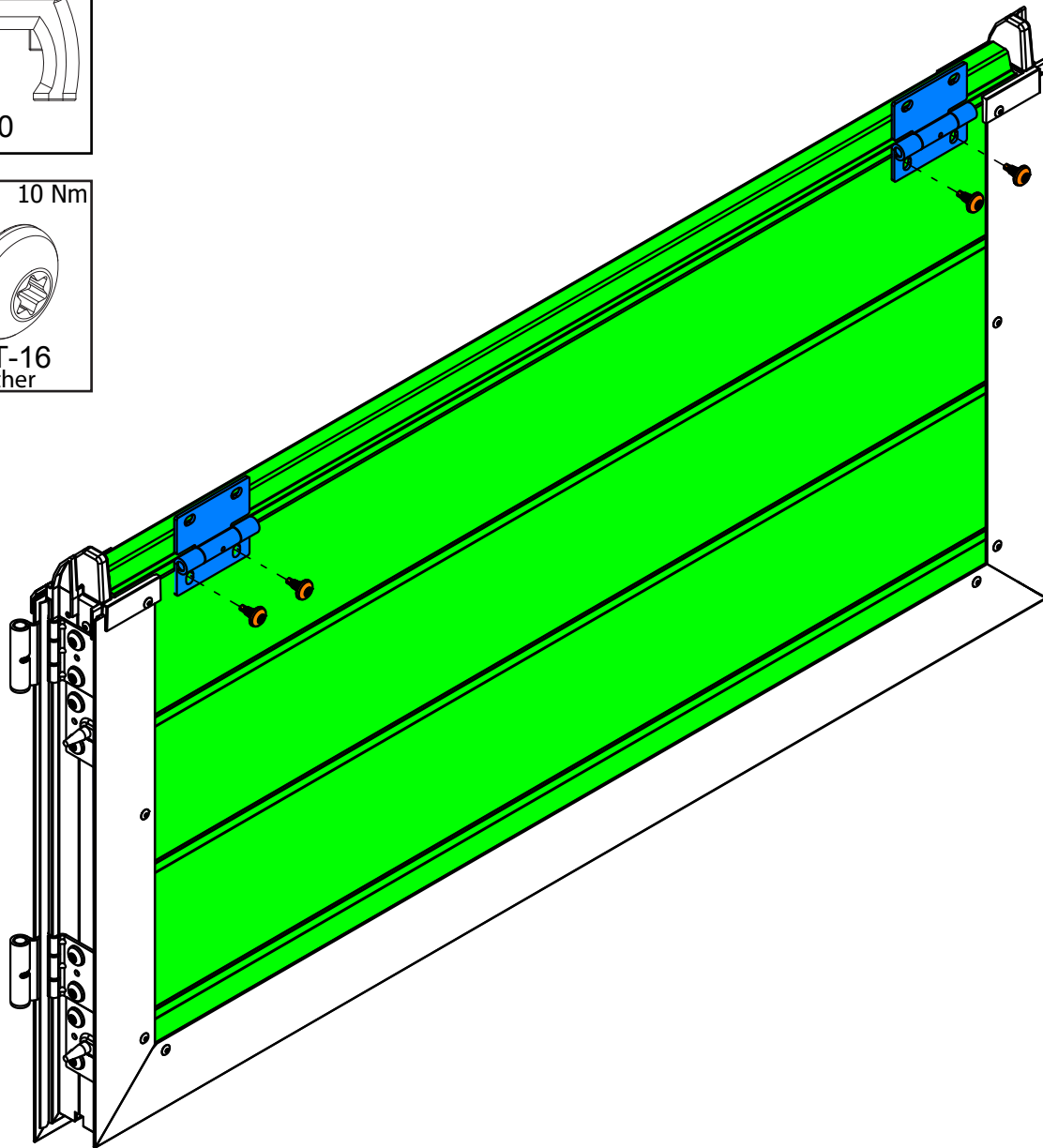
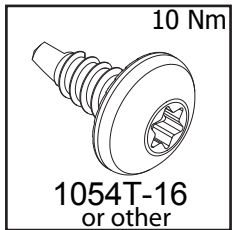
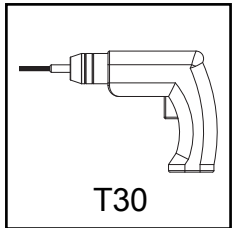
1135-C-DR







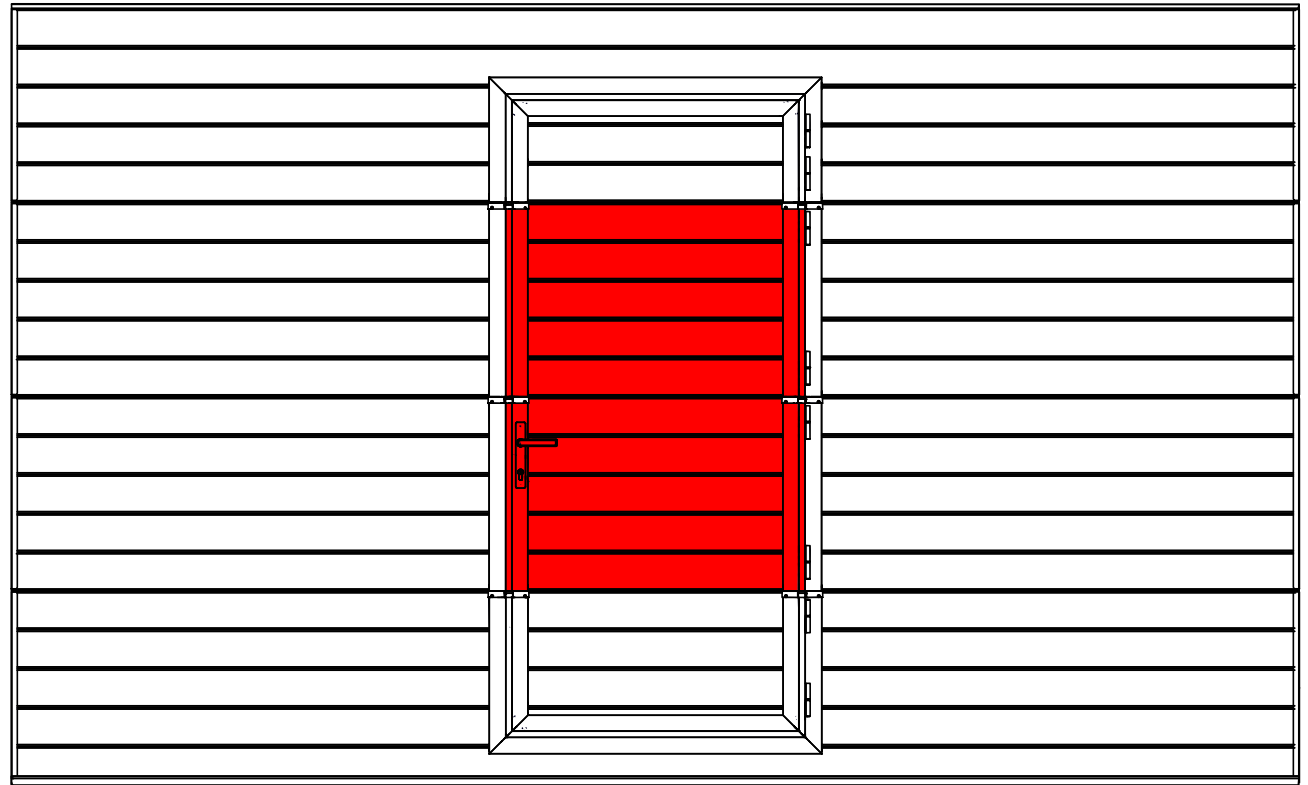
1134R

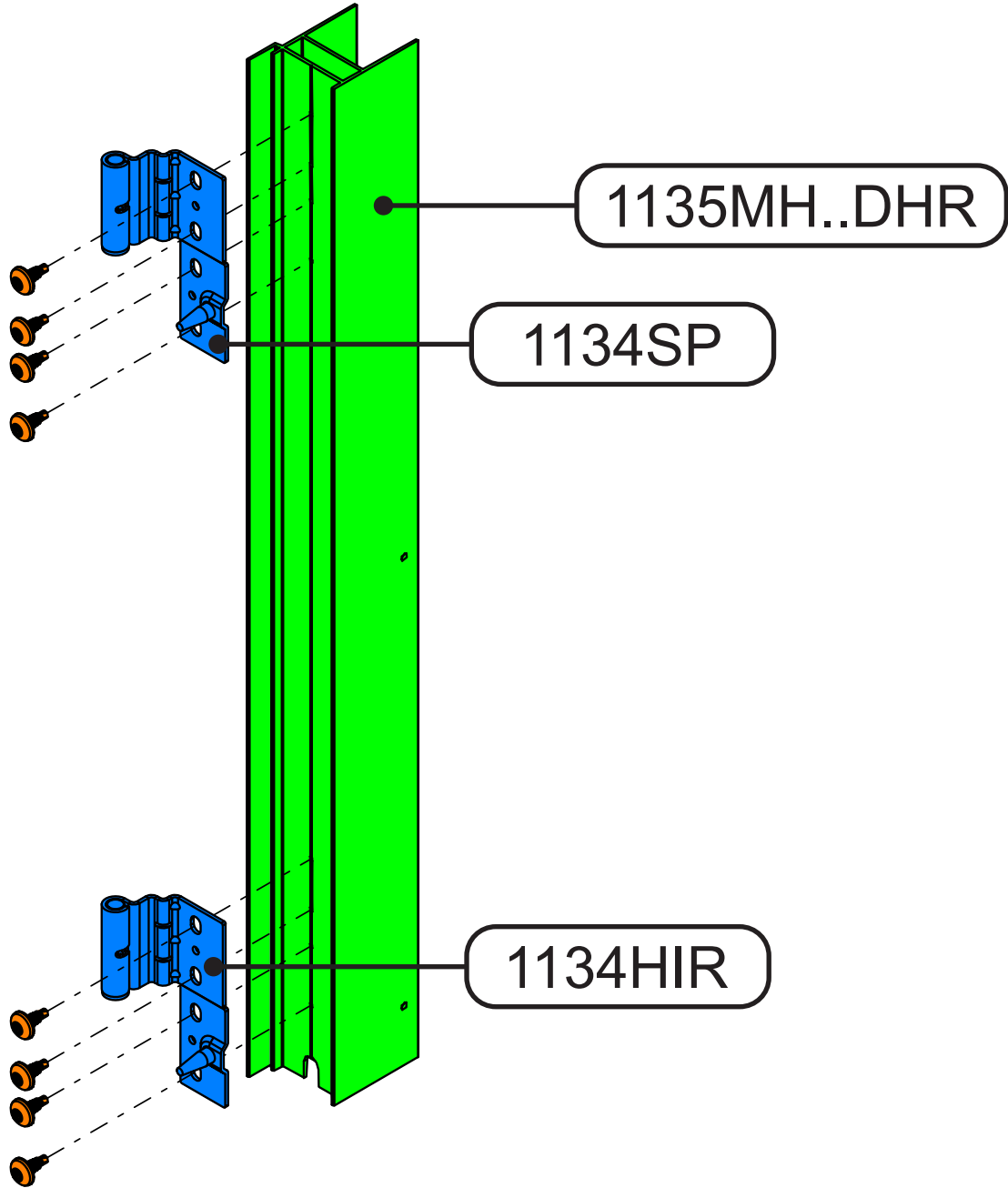
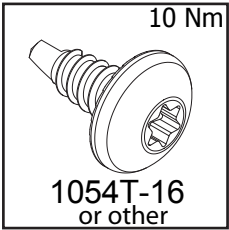
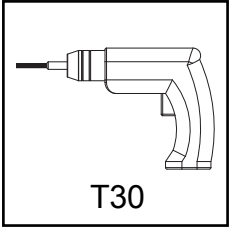


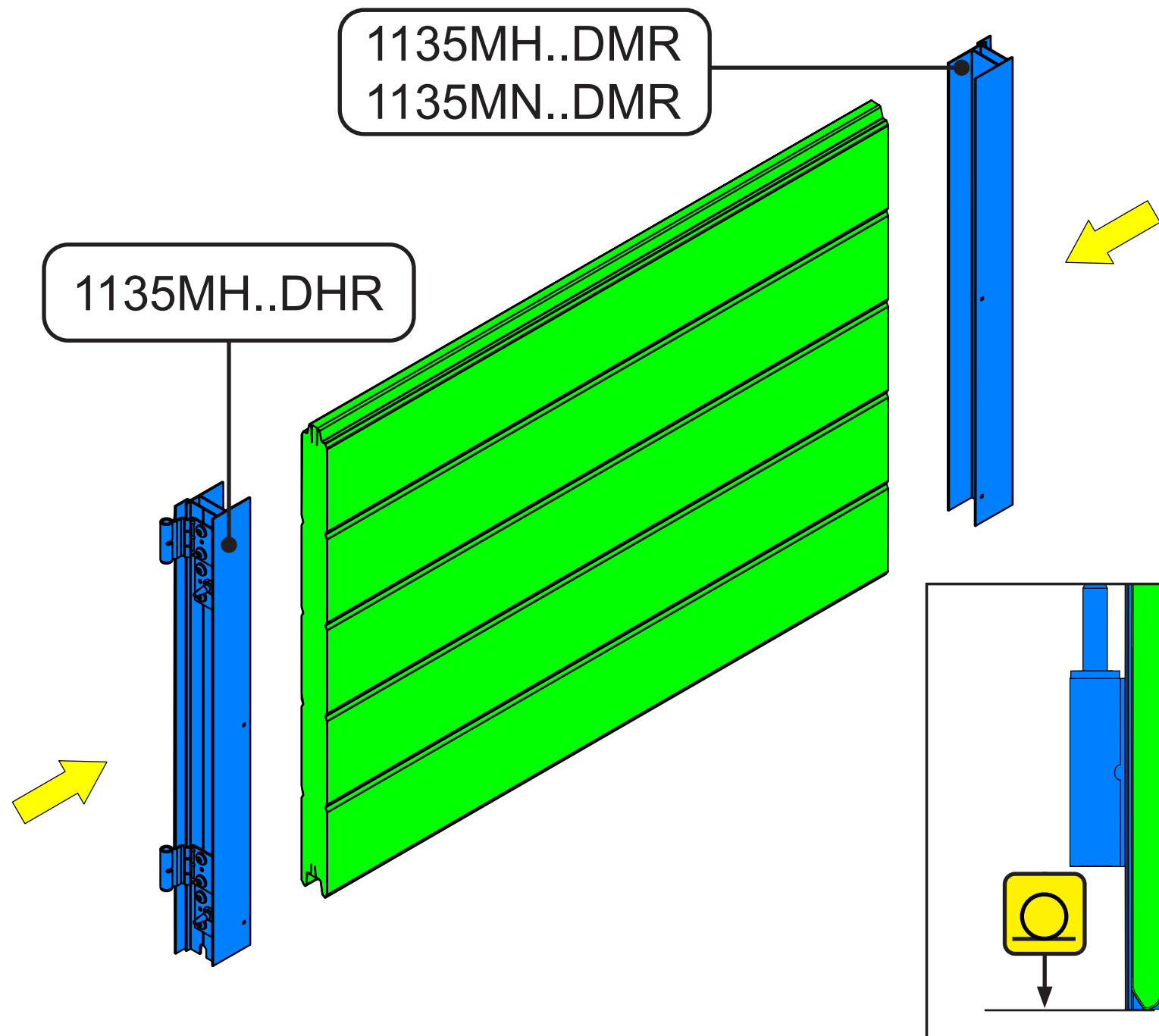
! See optional gauge on page 20

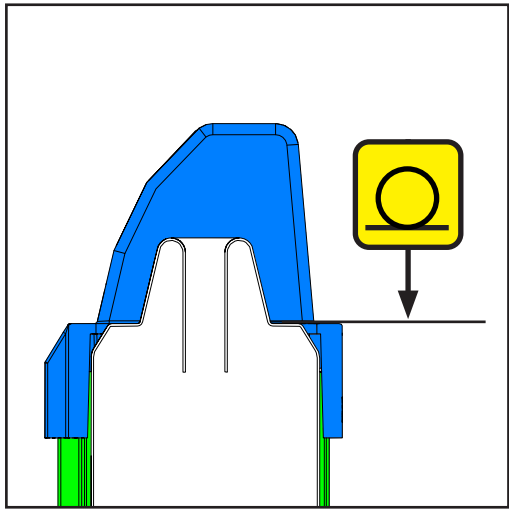
FF Installation manual

Door middle sections assembly instructions

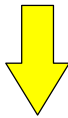




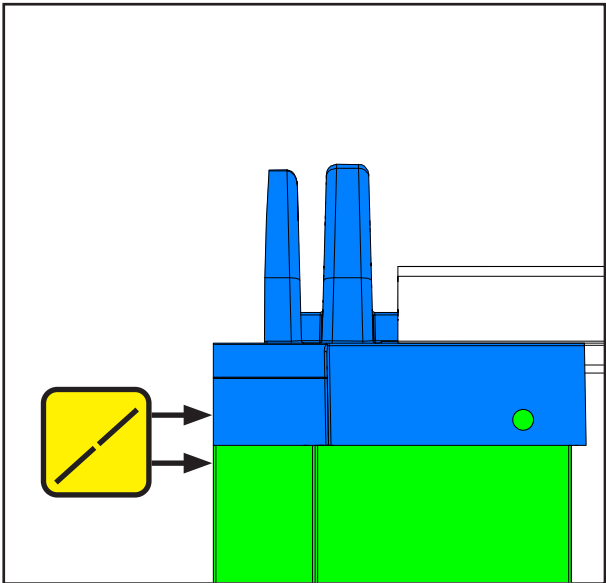
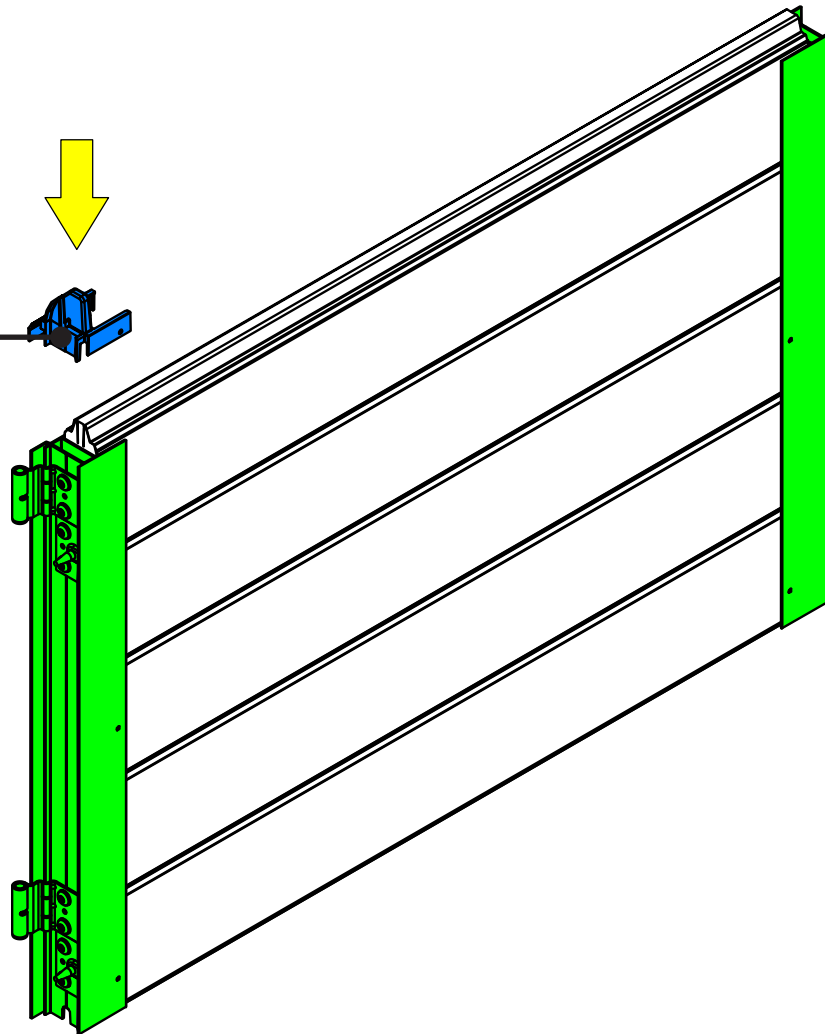
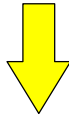


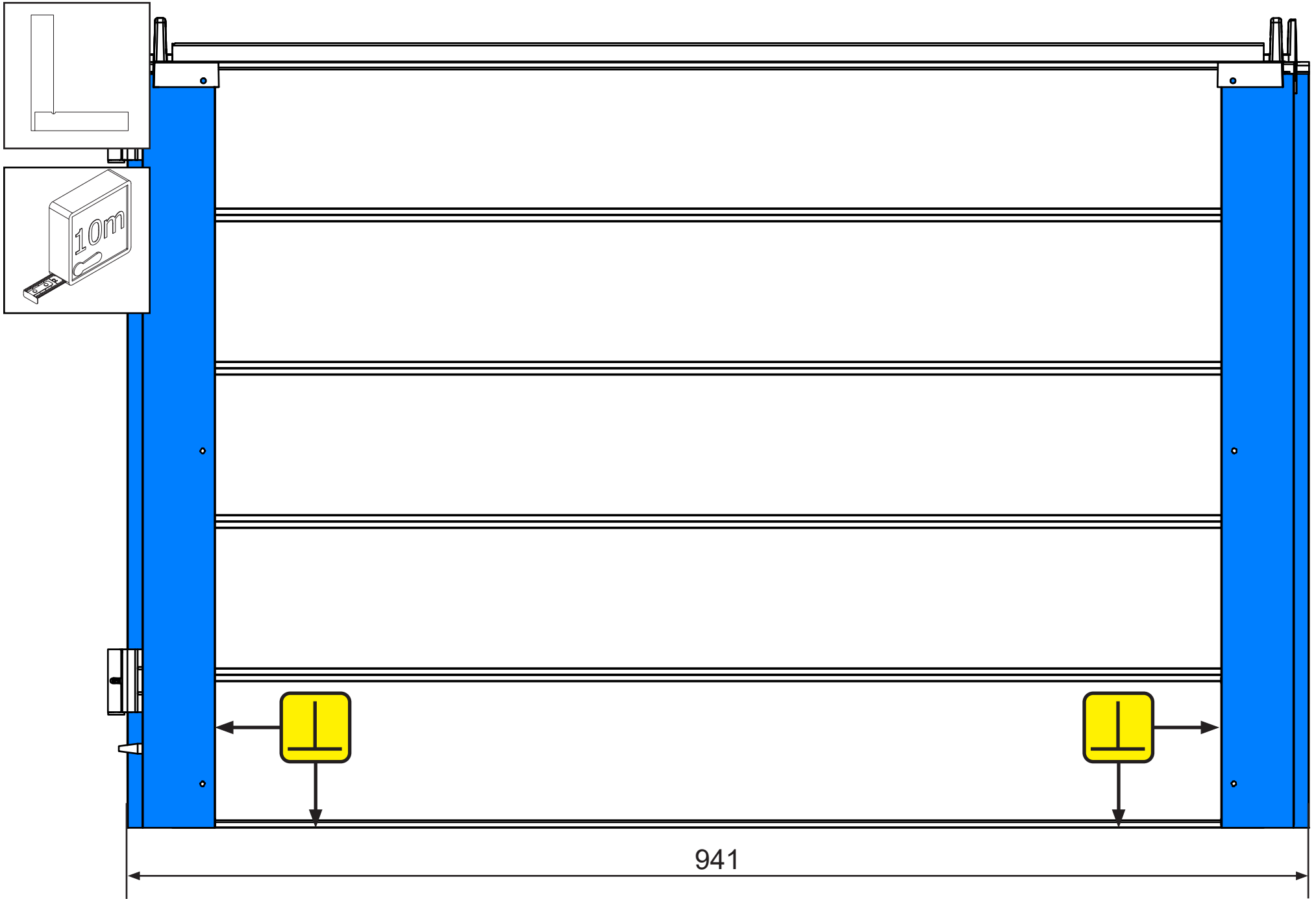


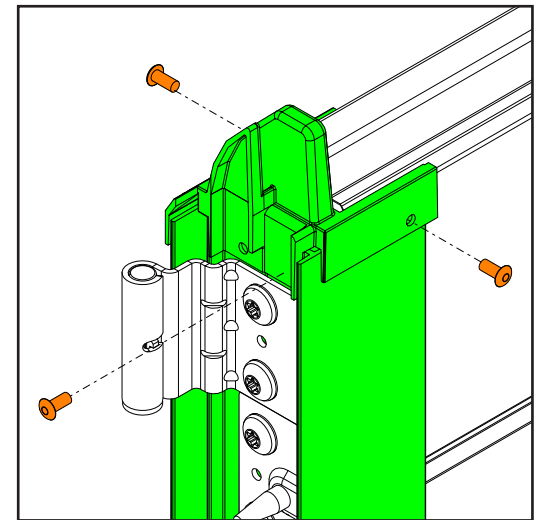
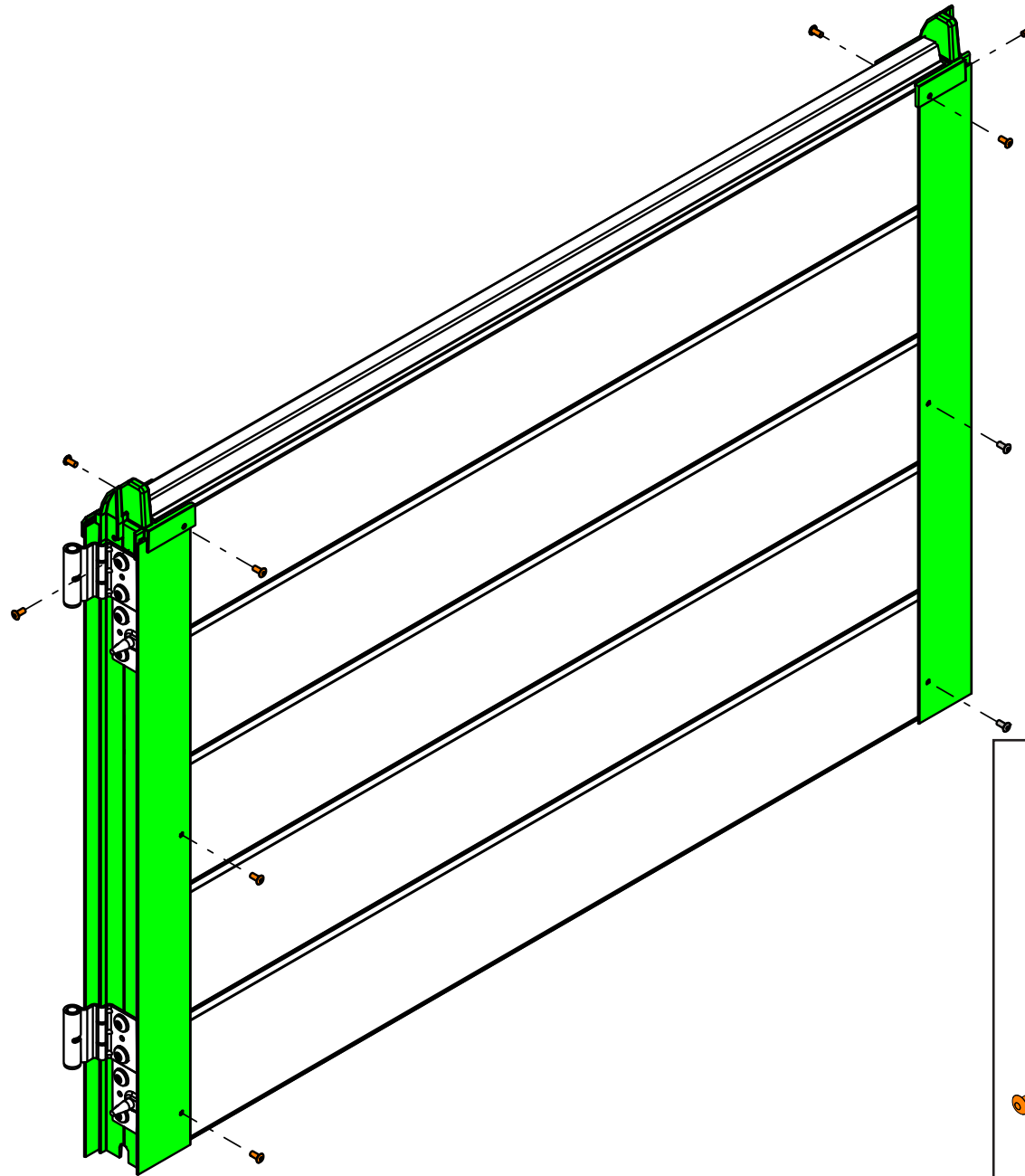
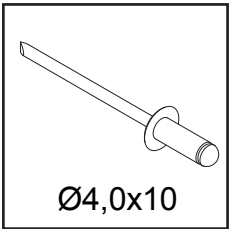
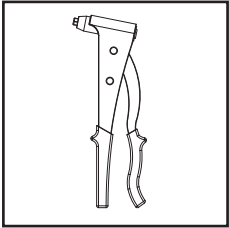
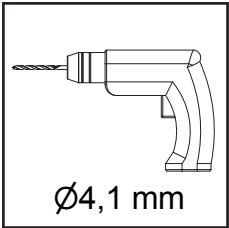
1135-C-DR

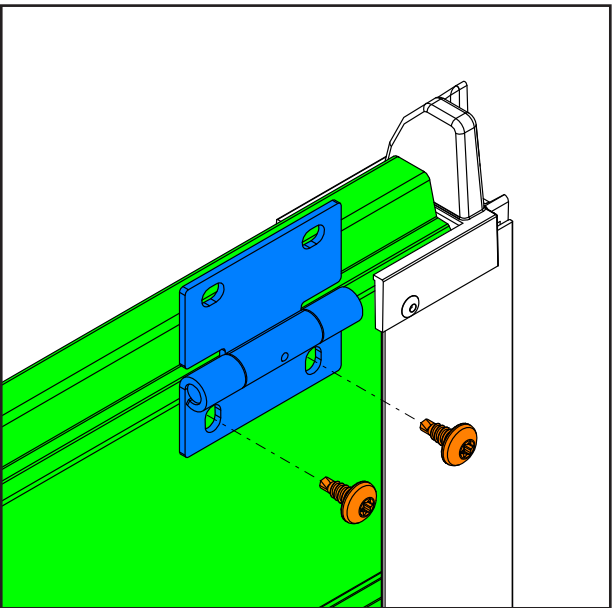
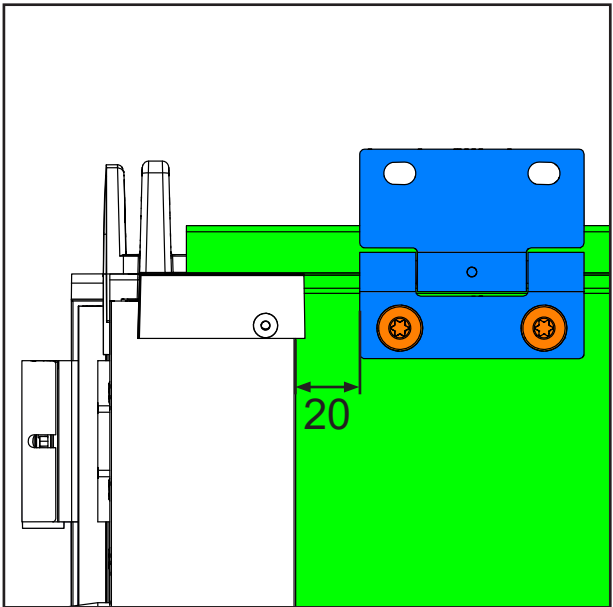
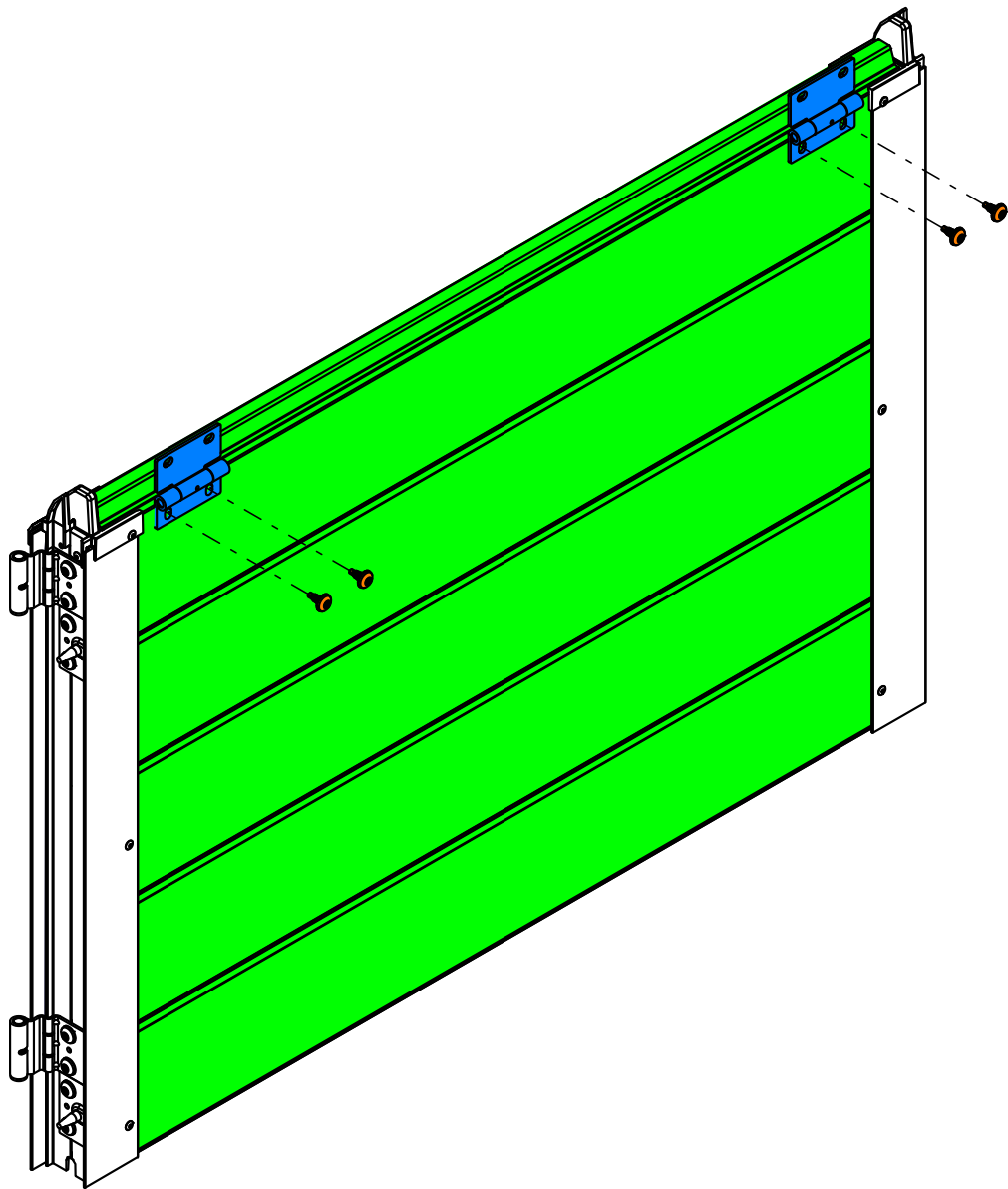
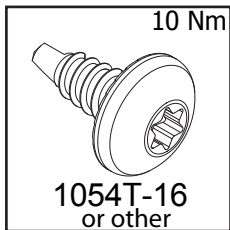
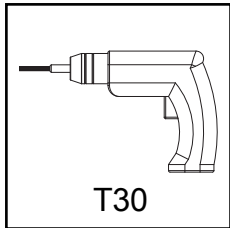


1135-C-DL

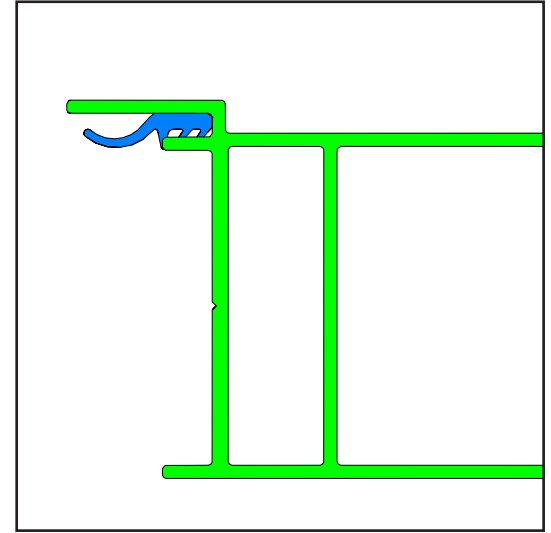
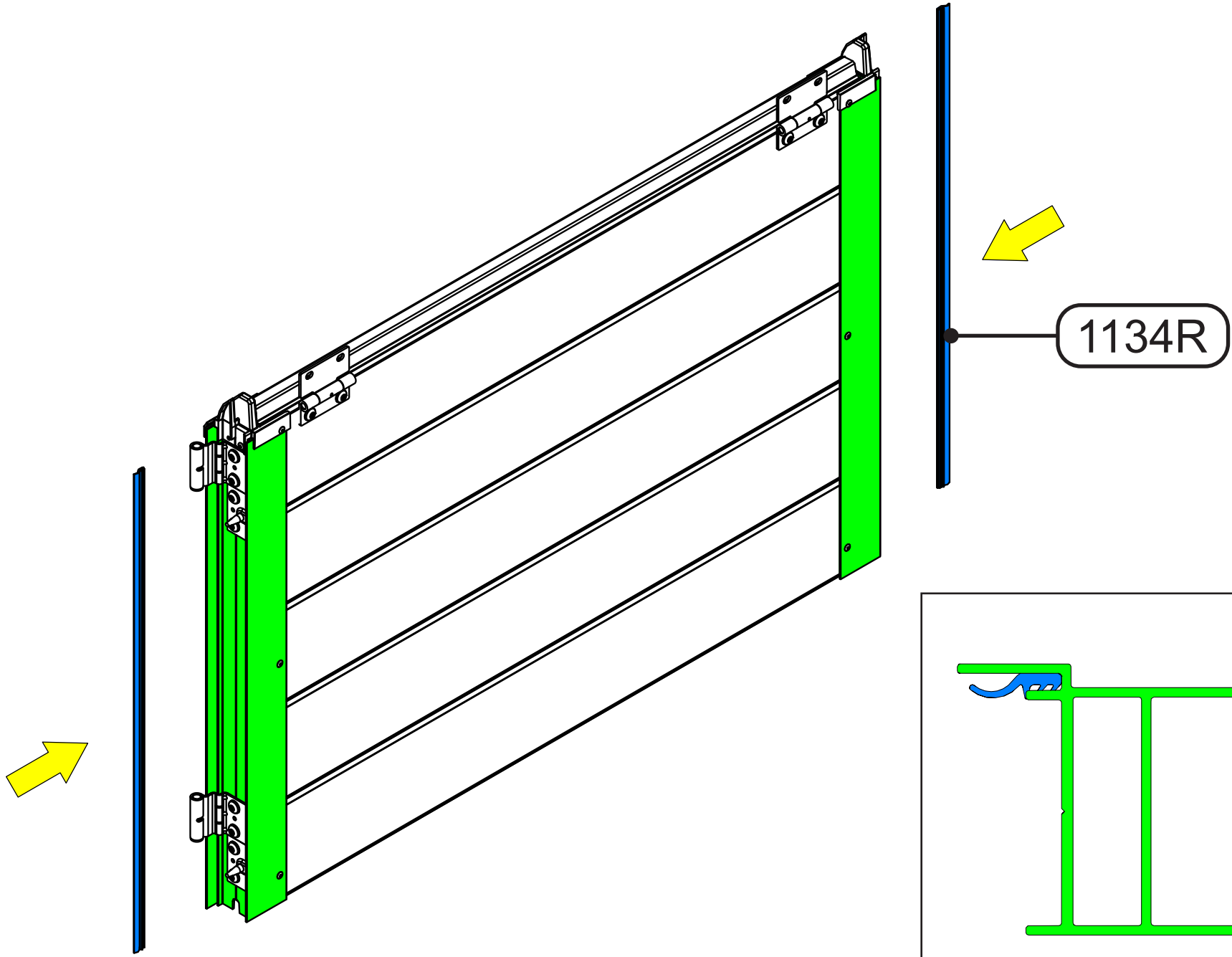
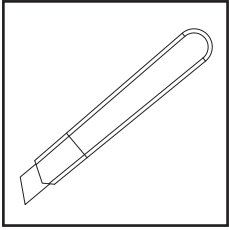






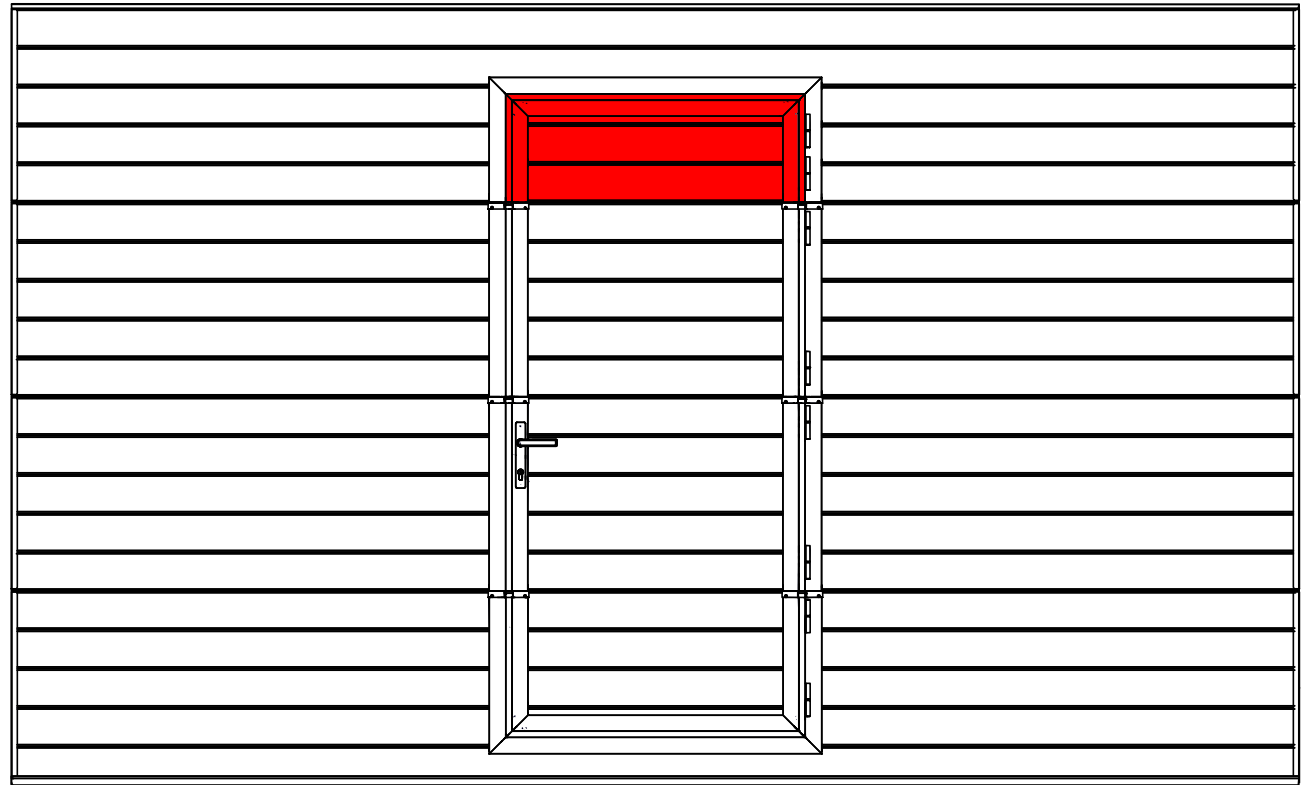


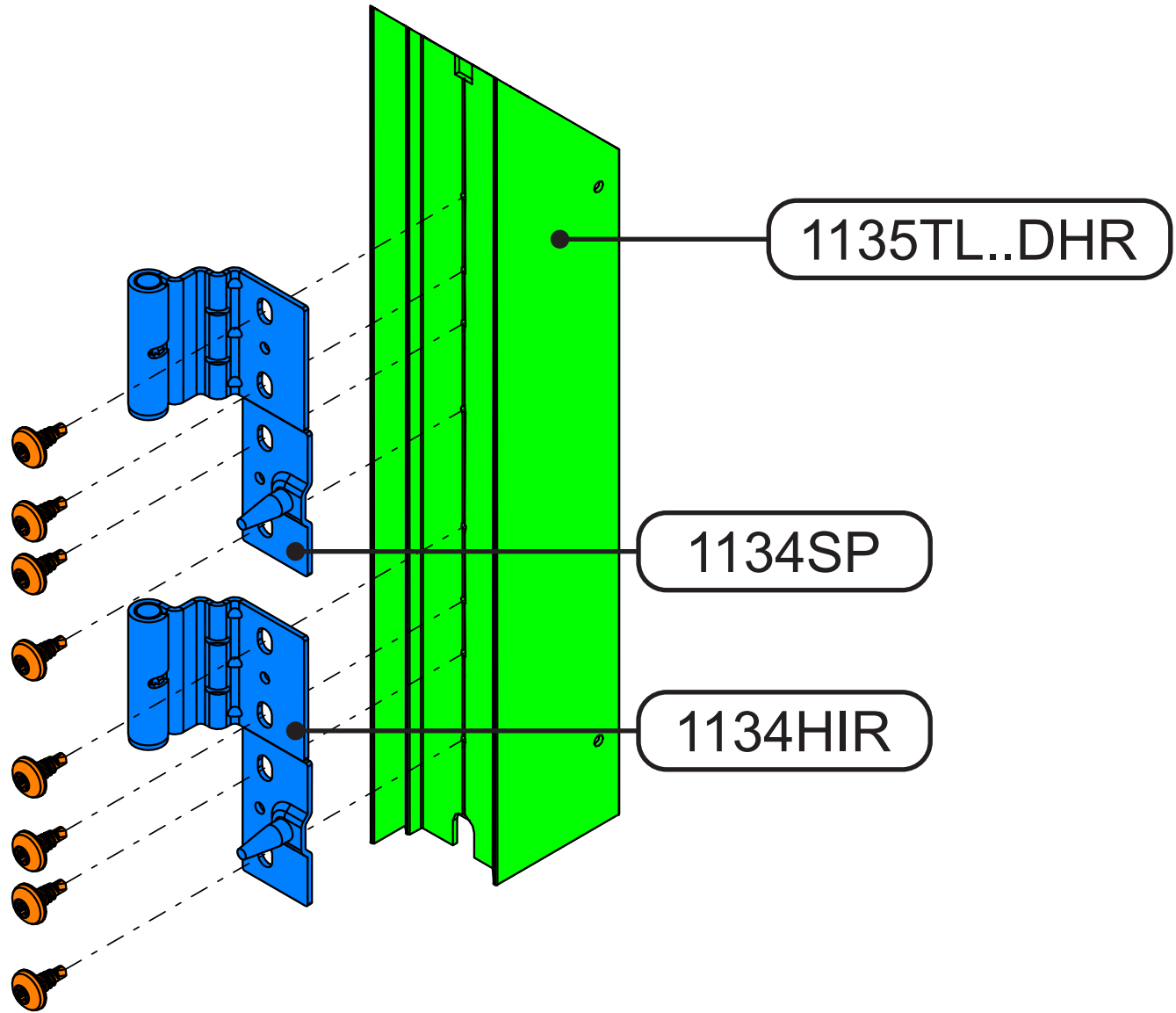
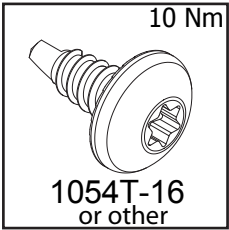
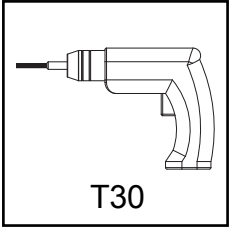
! See optional gauge on page 20

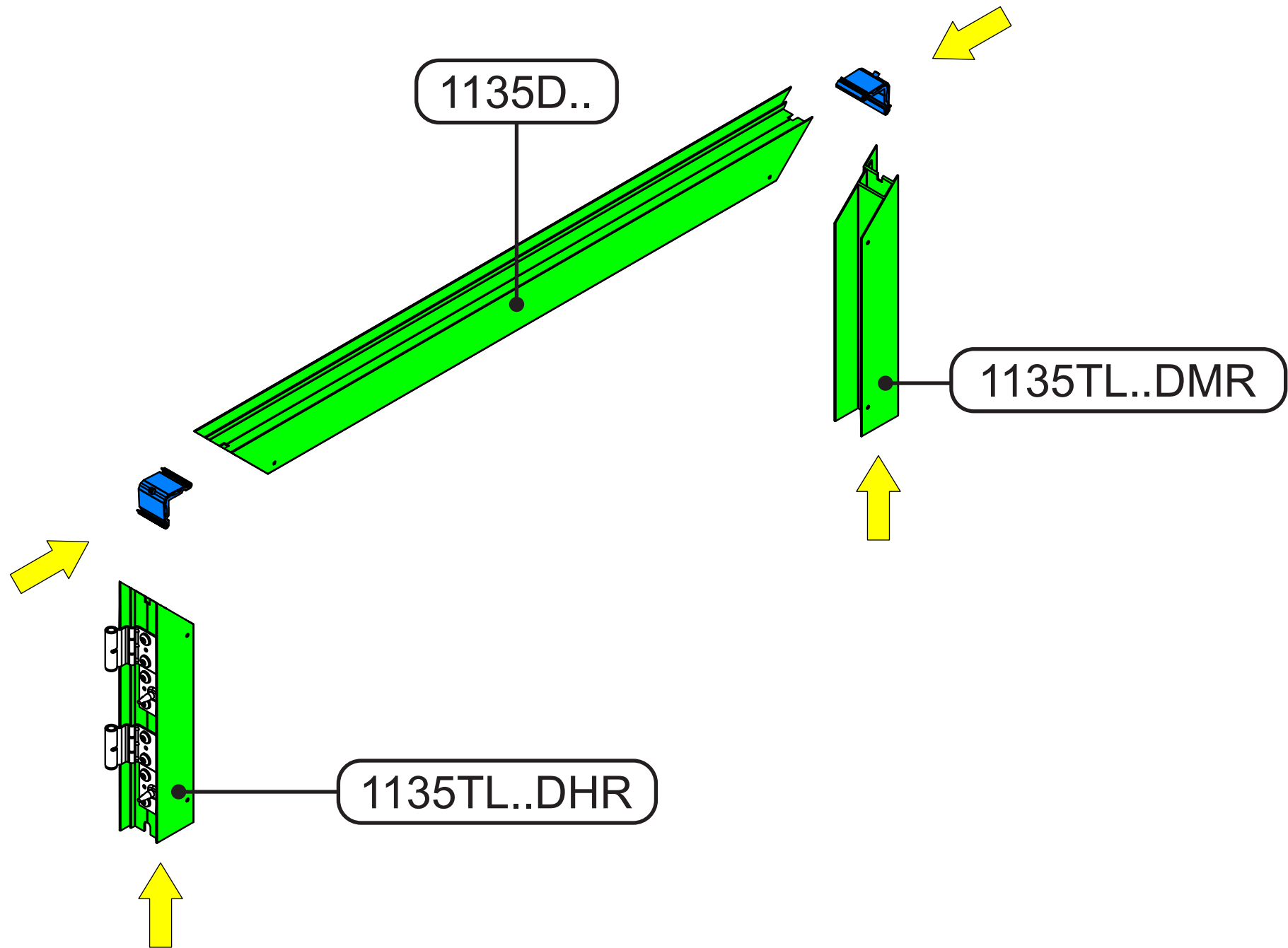


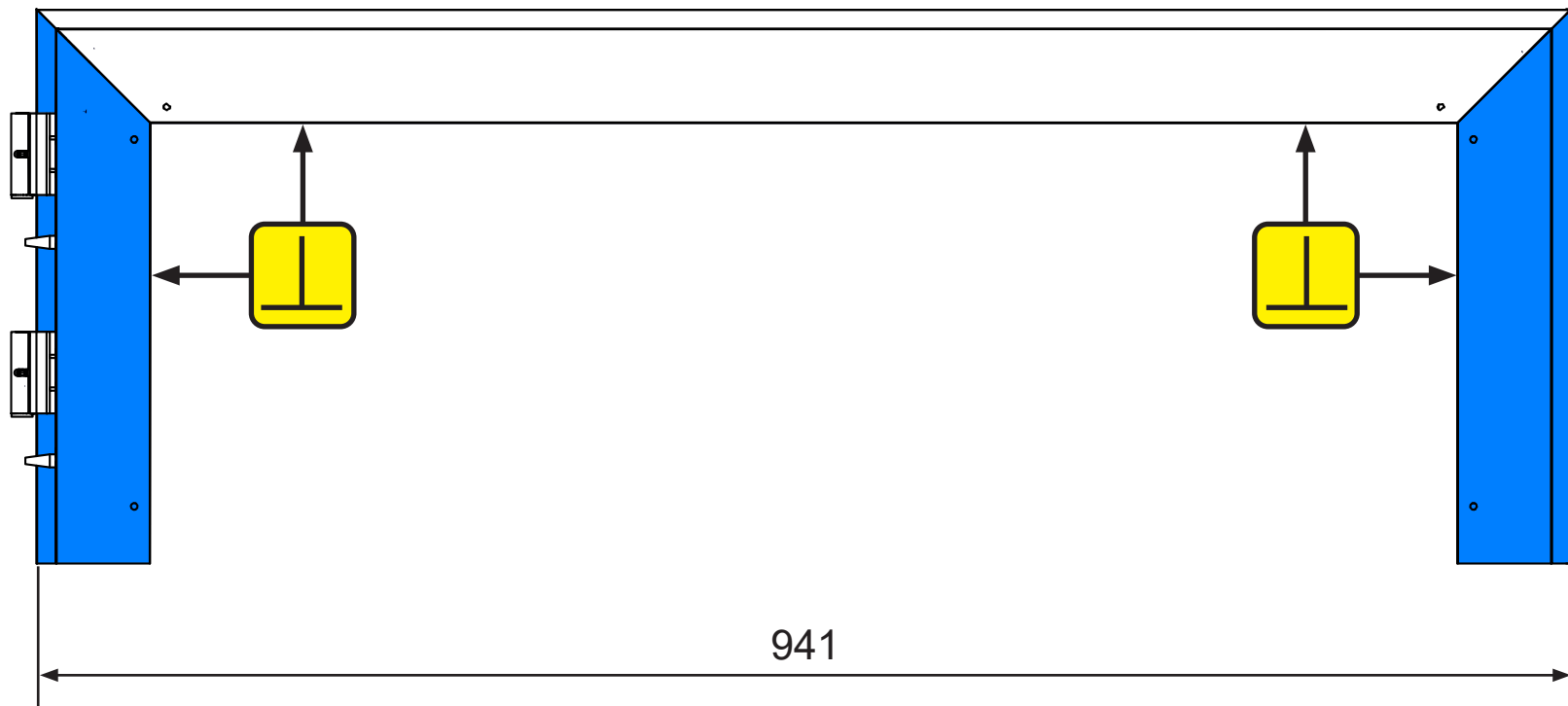
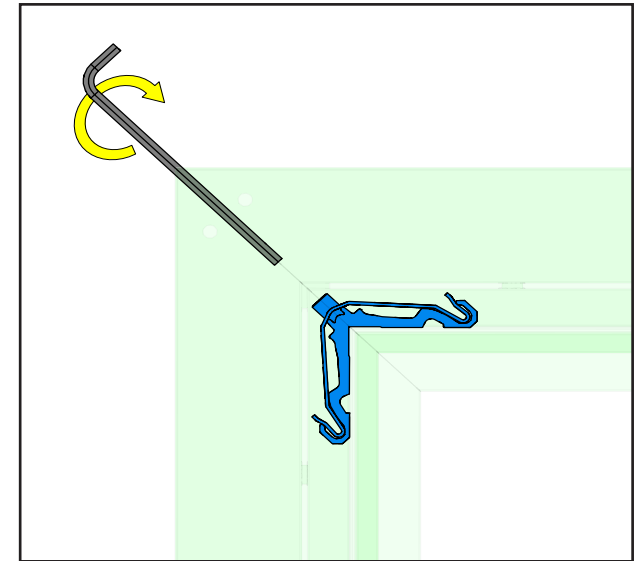
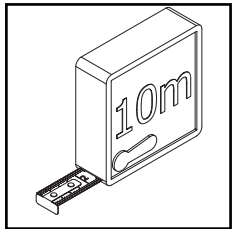
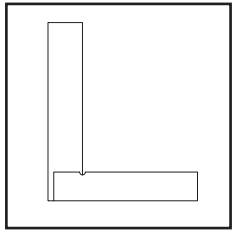
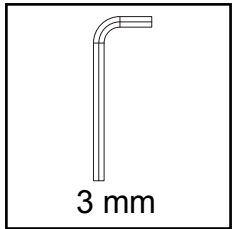
FF Installation manual

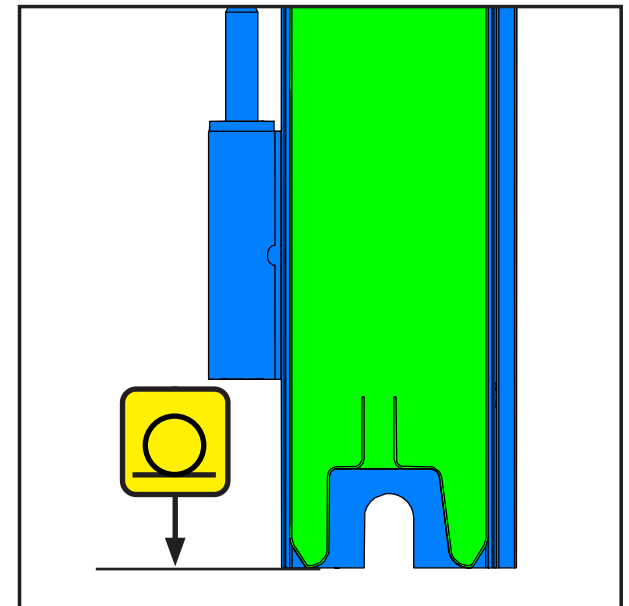
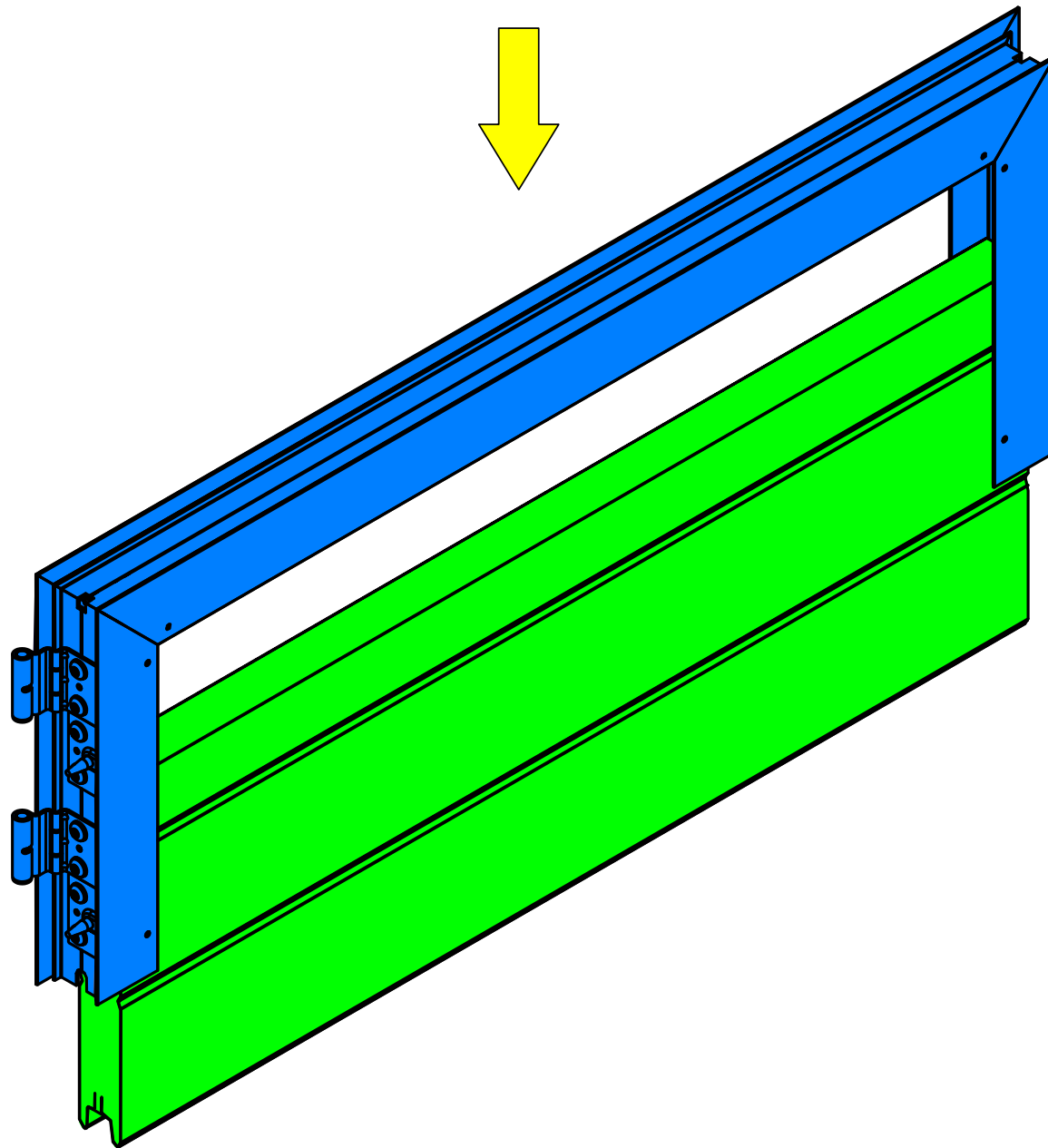
Door top section assembly instructions

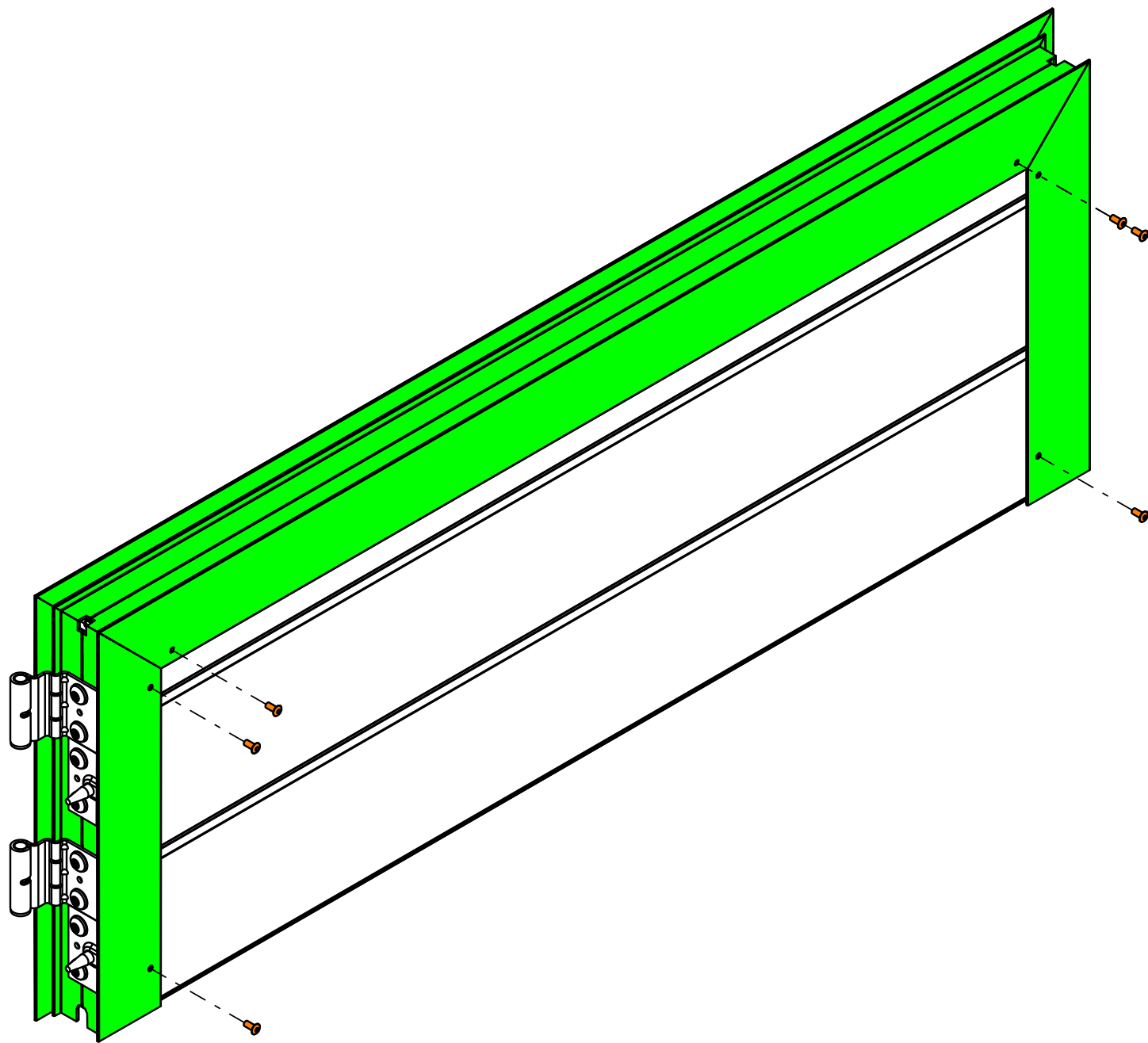
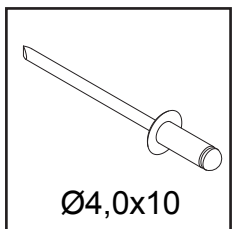
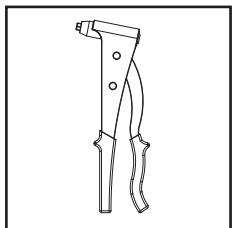
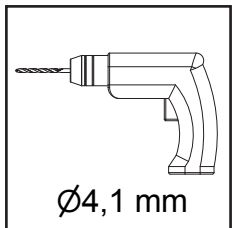


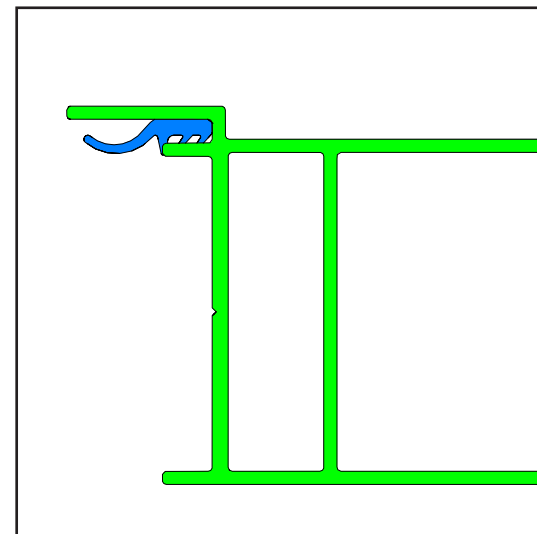
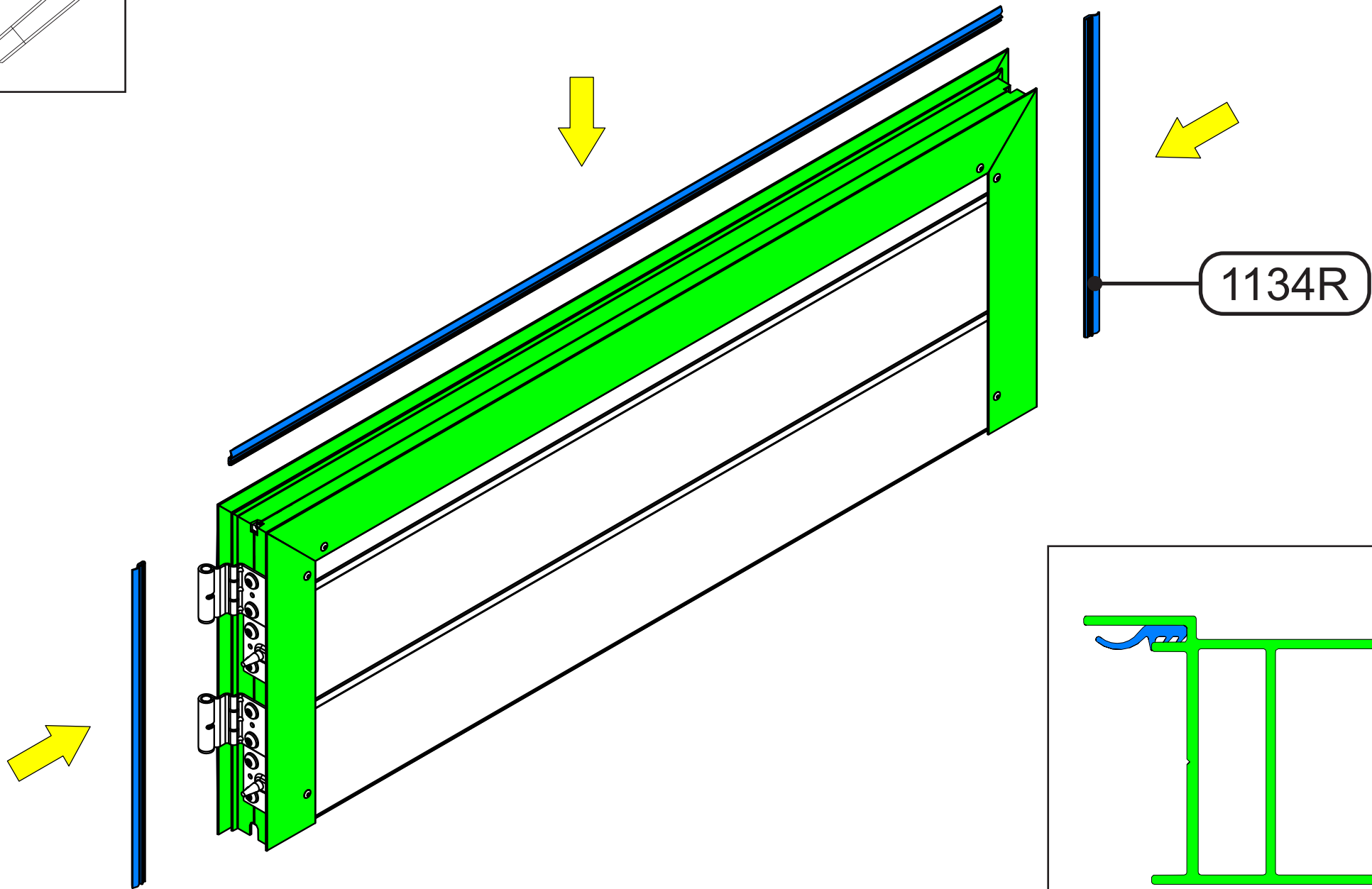
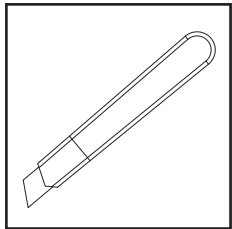










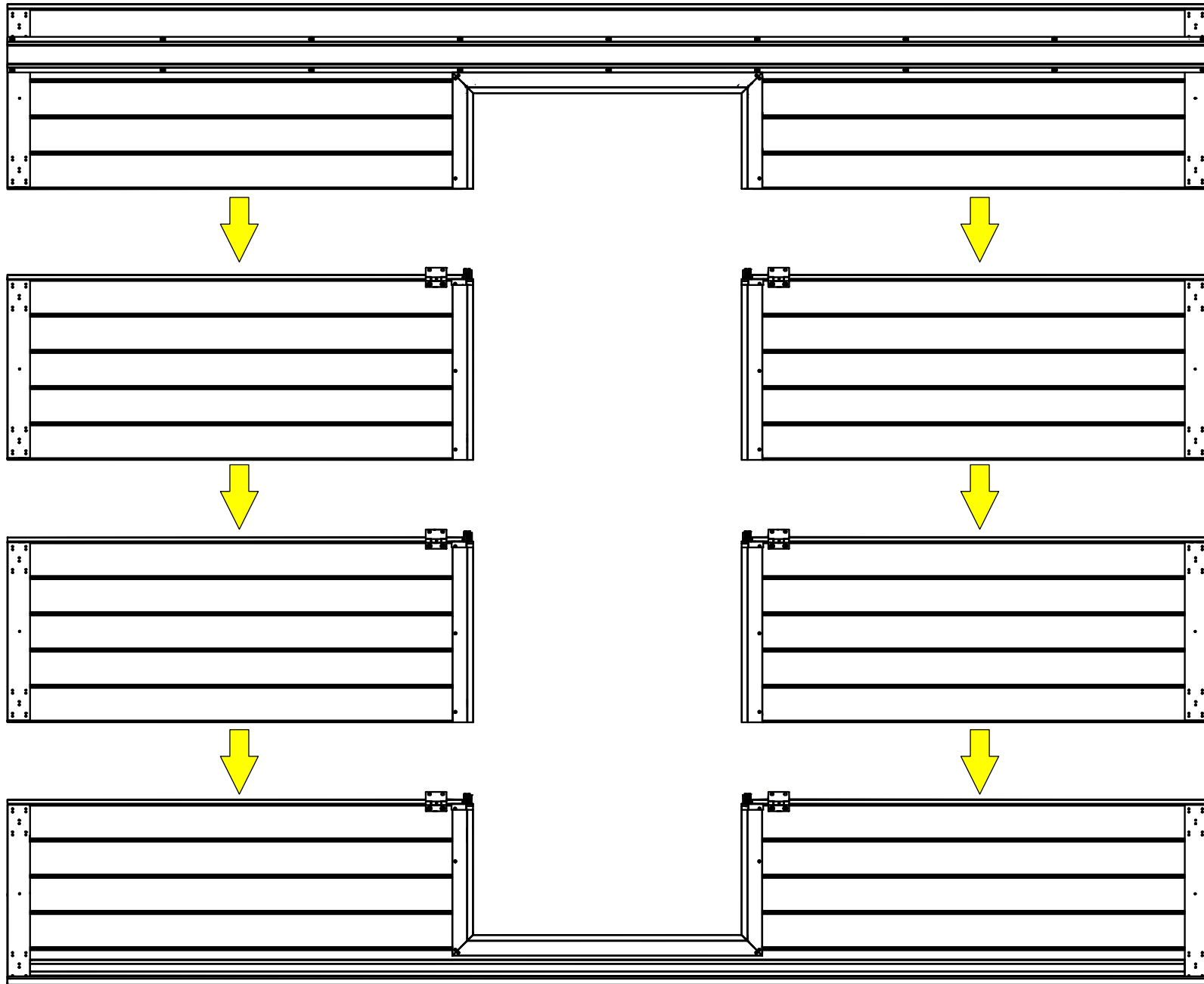


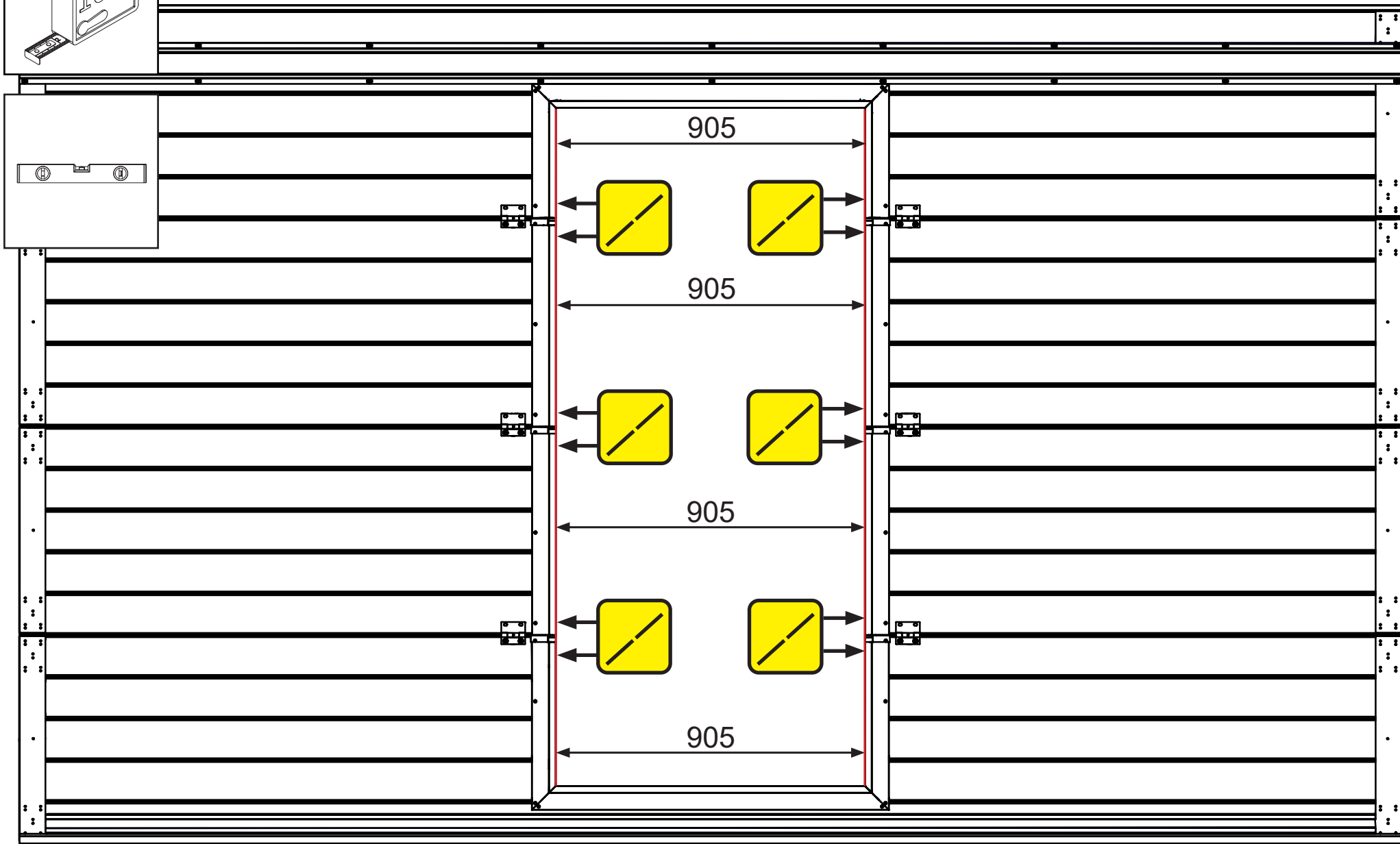
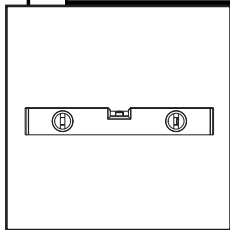
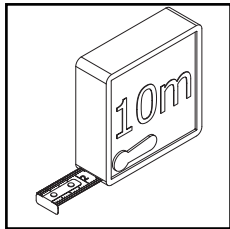
FF Installation manual

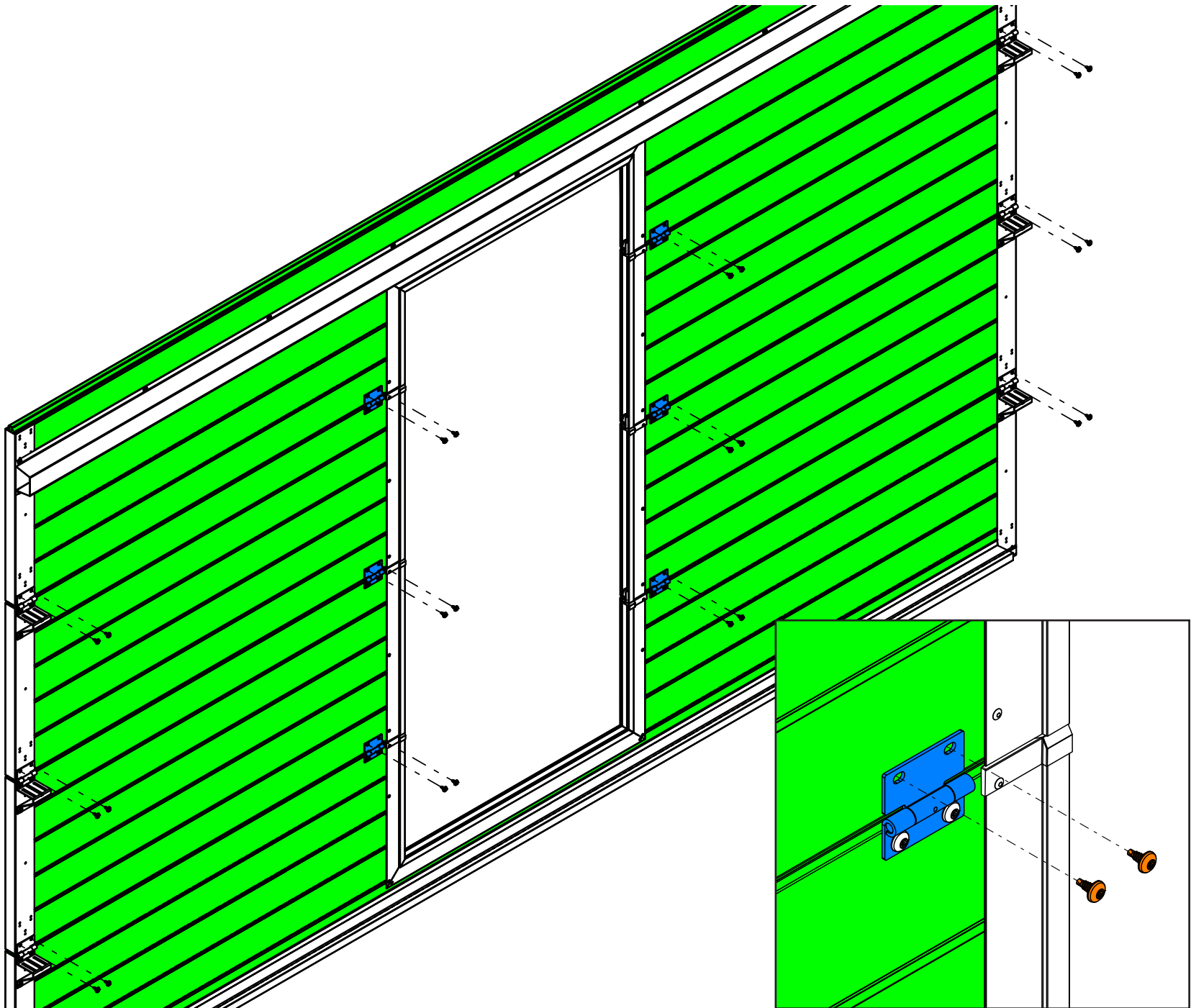
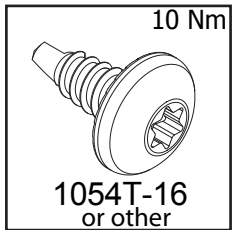
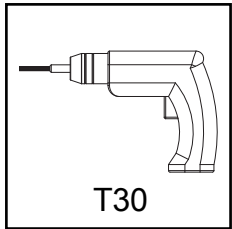
Frame

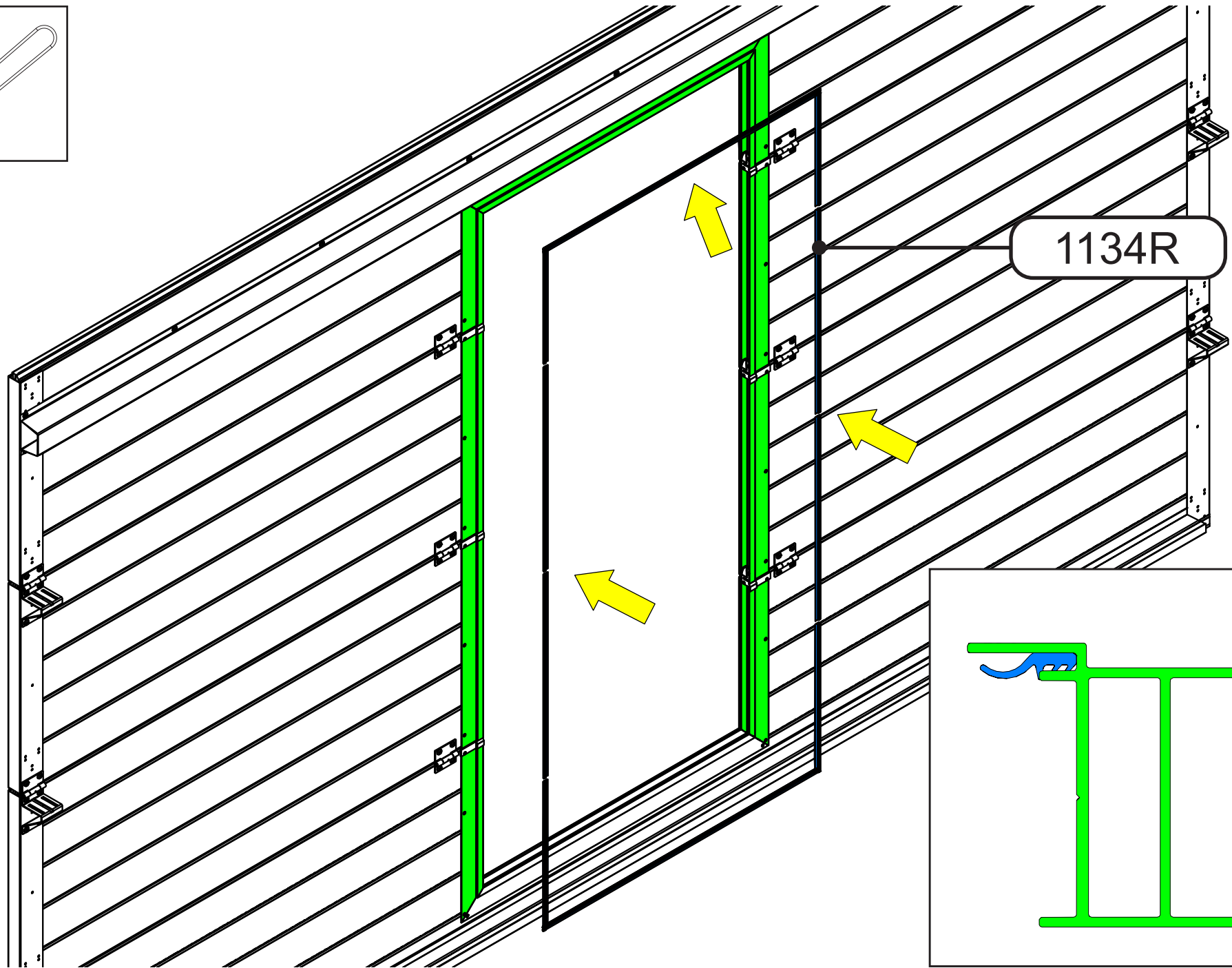
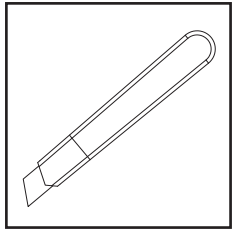
assembly instructions



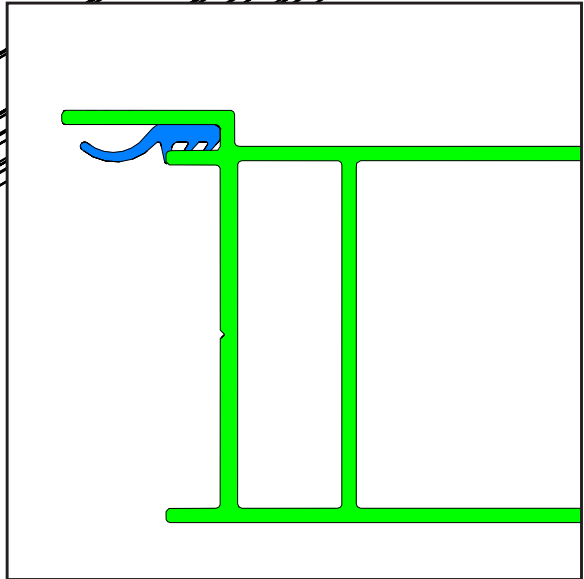


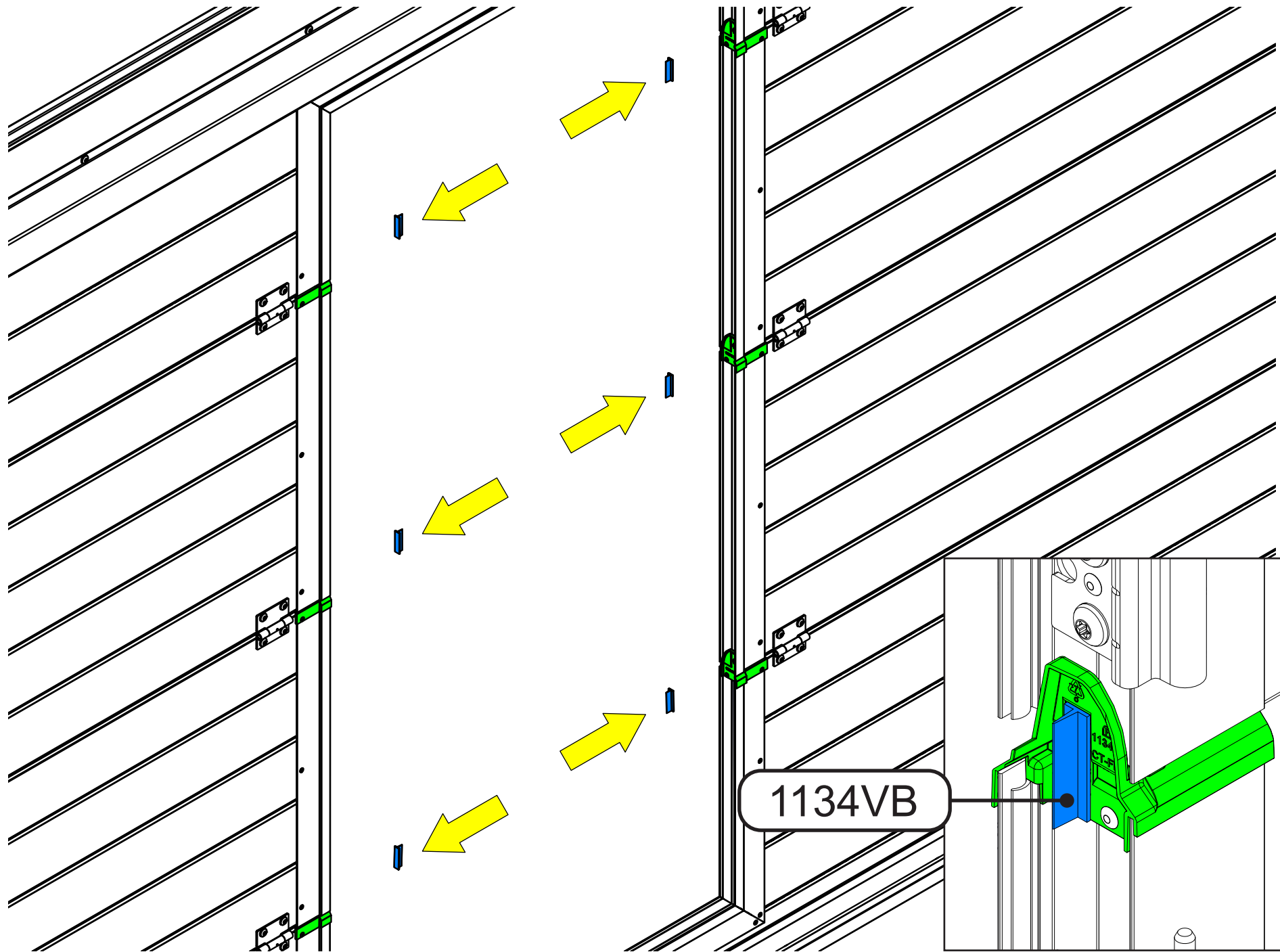






1134R

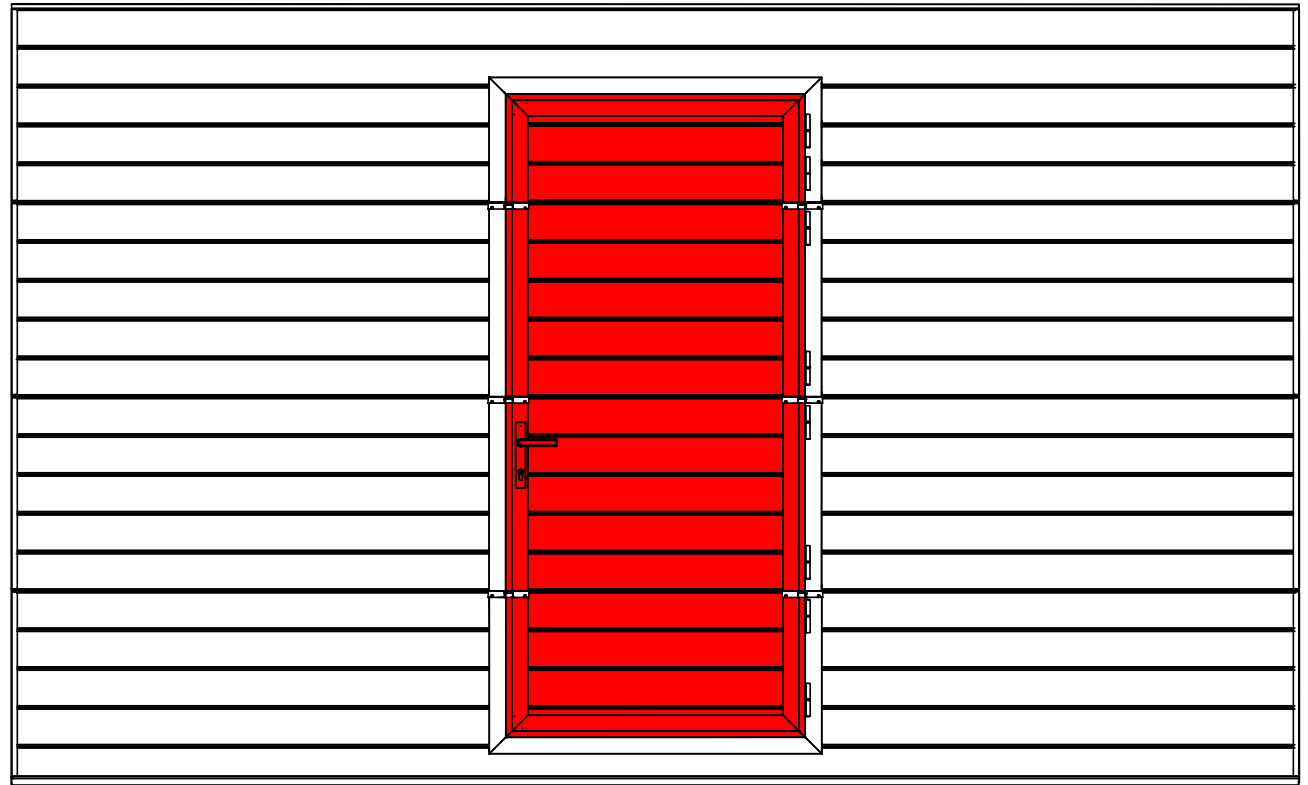


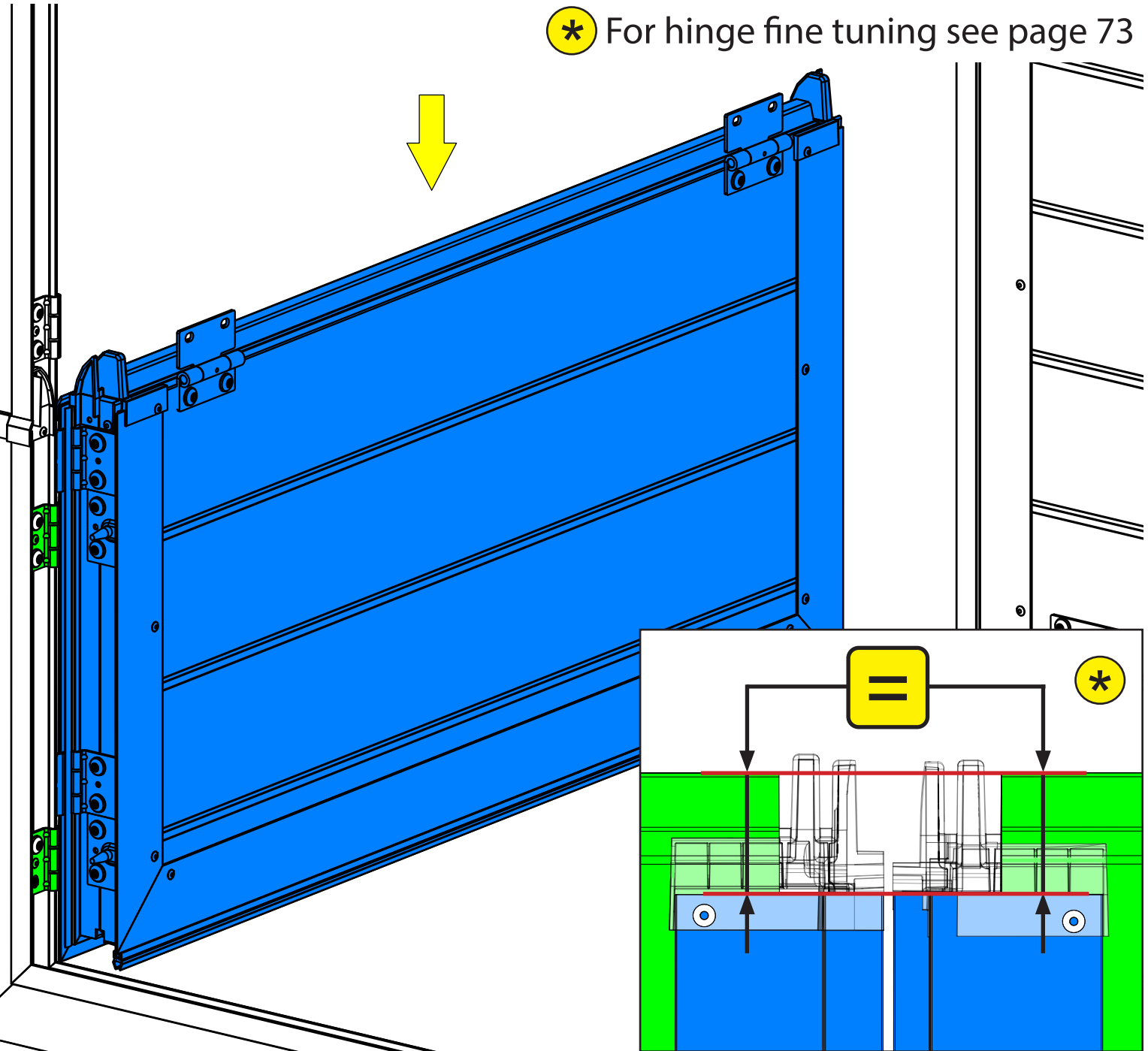
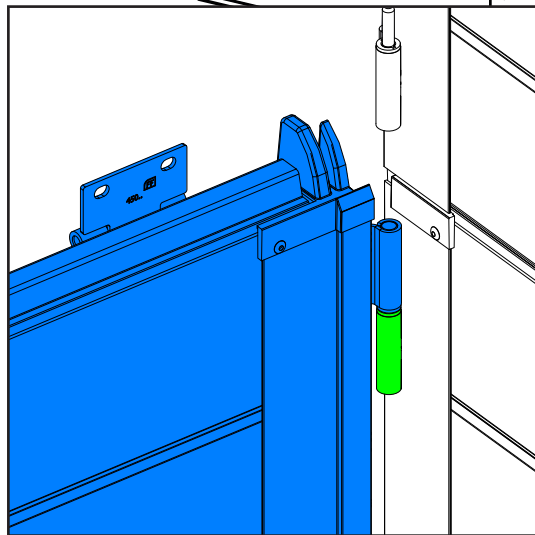
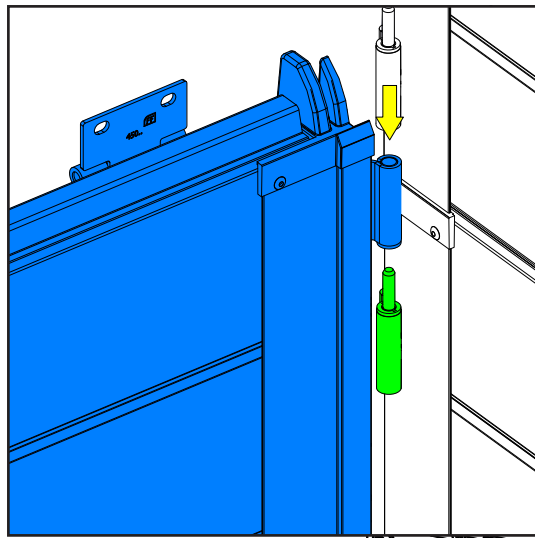


1134VB

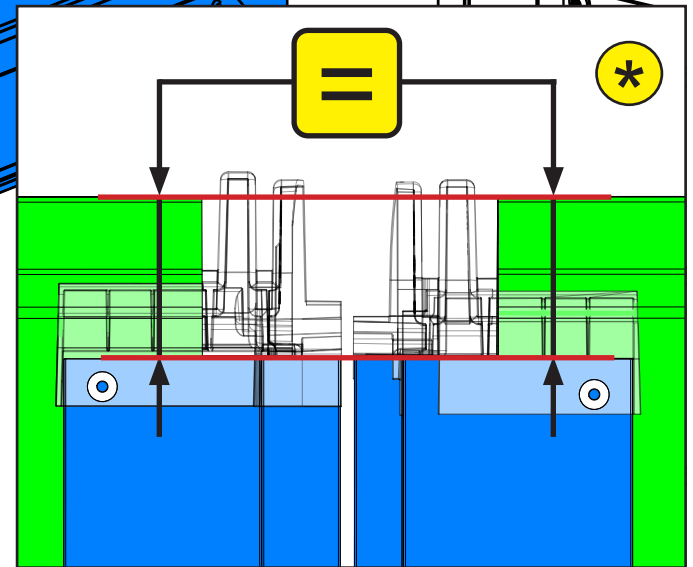
FF Installation manual

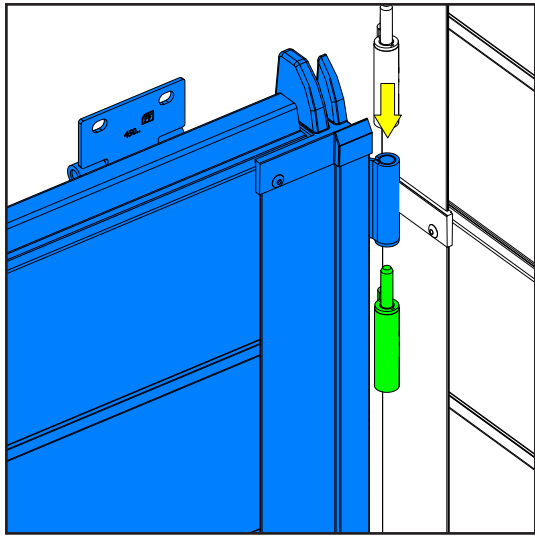
Door assembly instructions



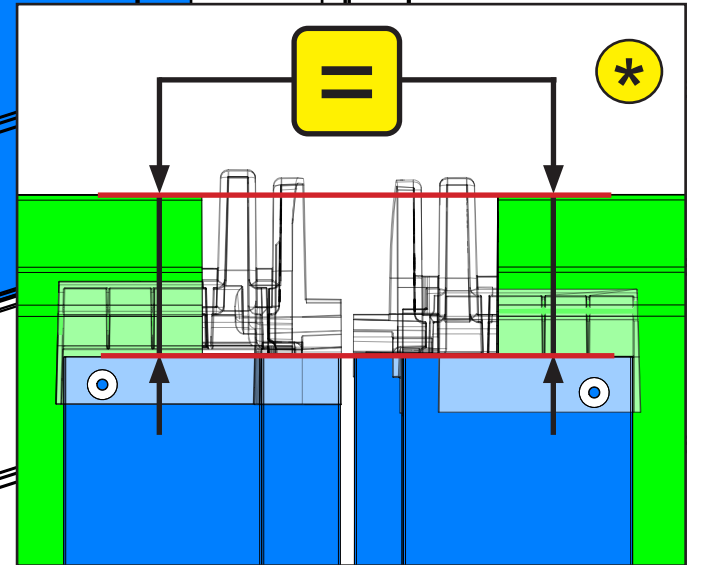
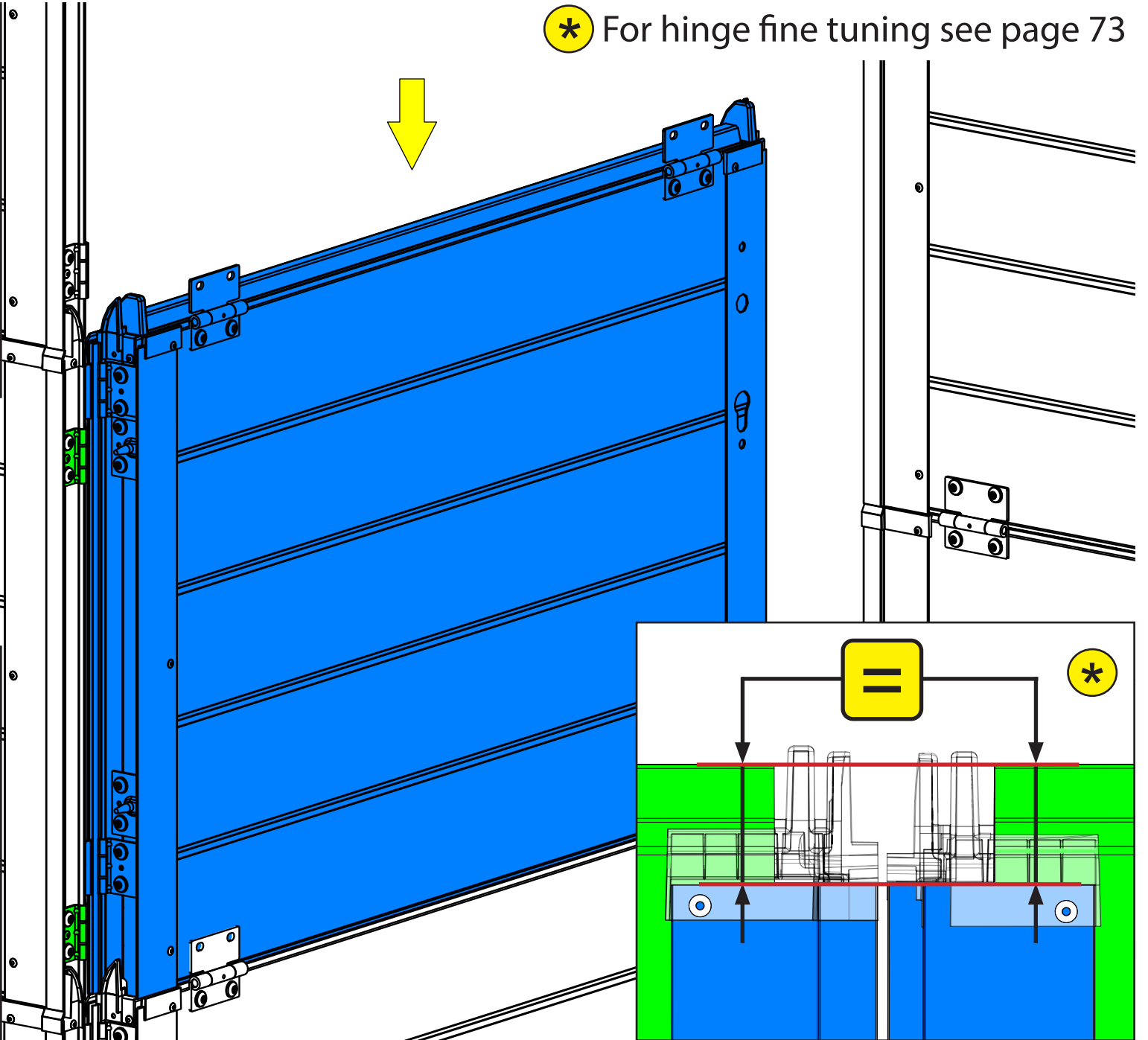
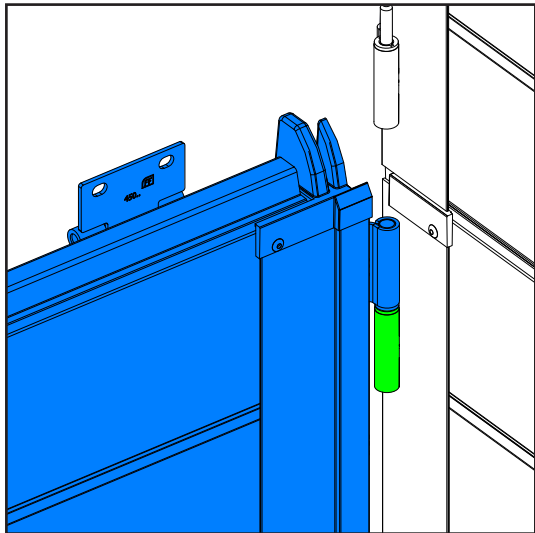


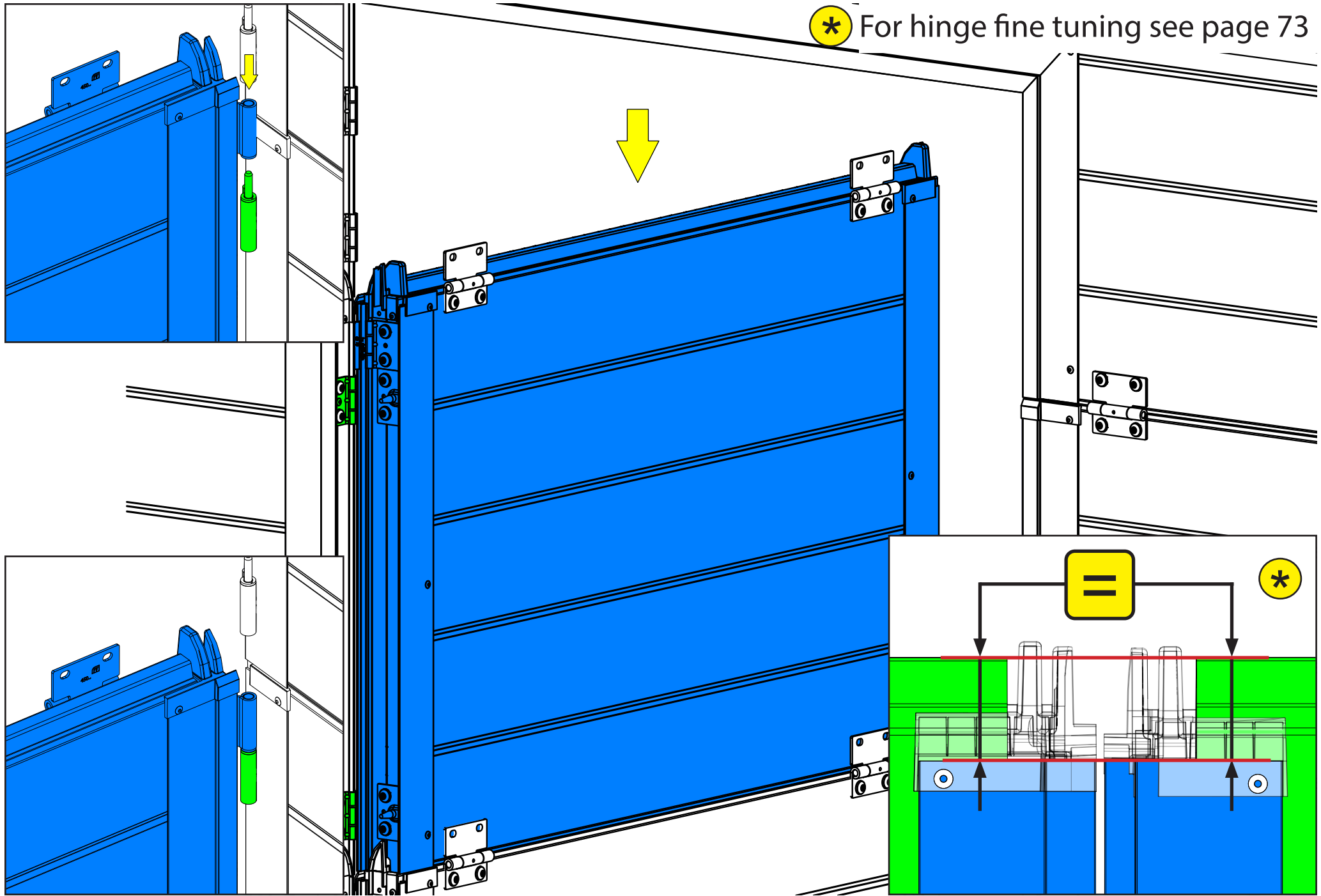
* For hinge fine tuning see page 73



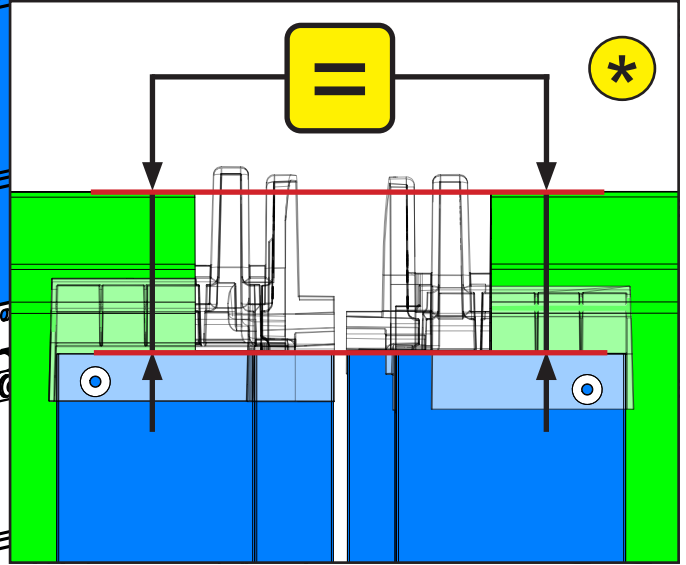


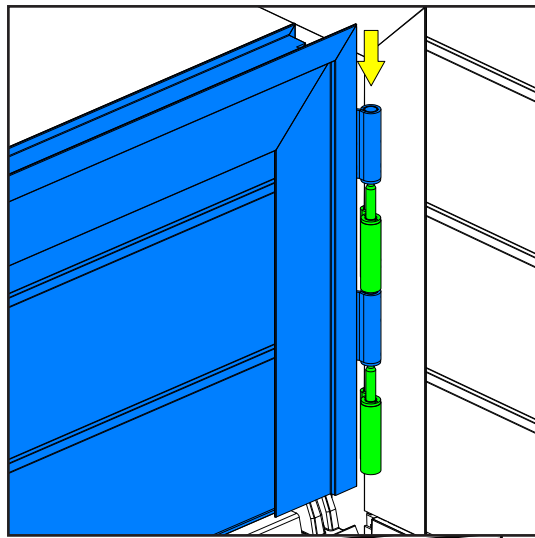
* For hinge fine tuning see page 73



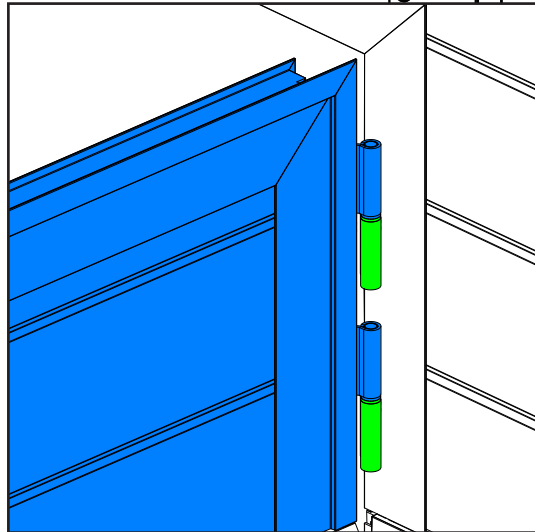
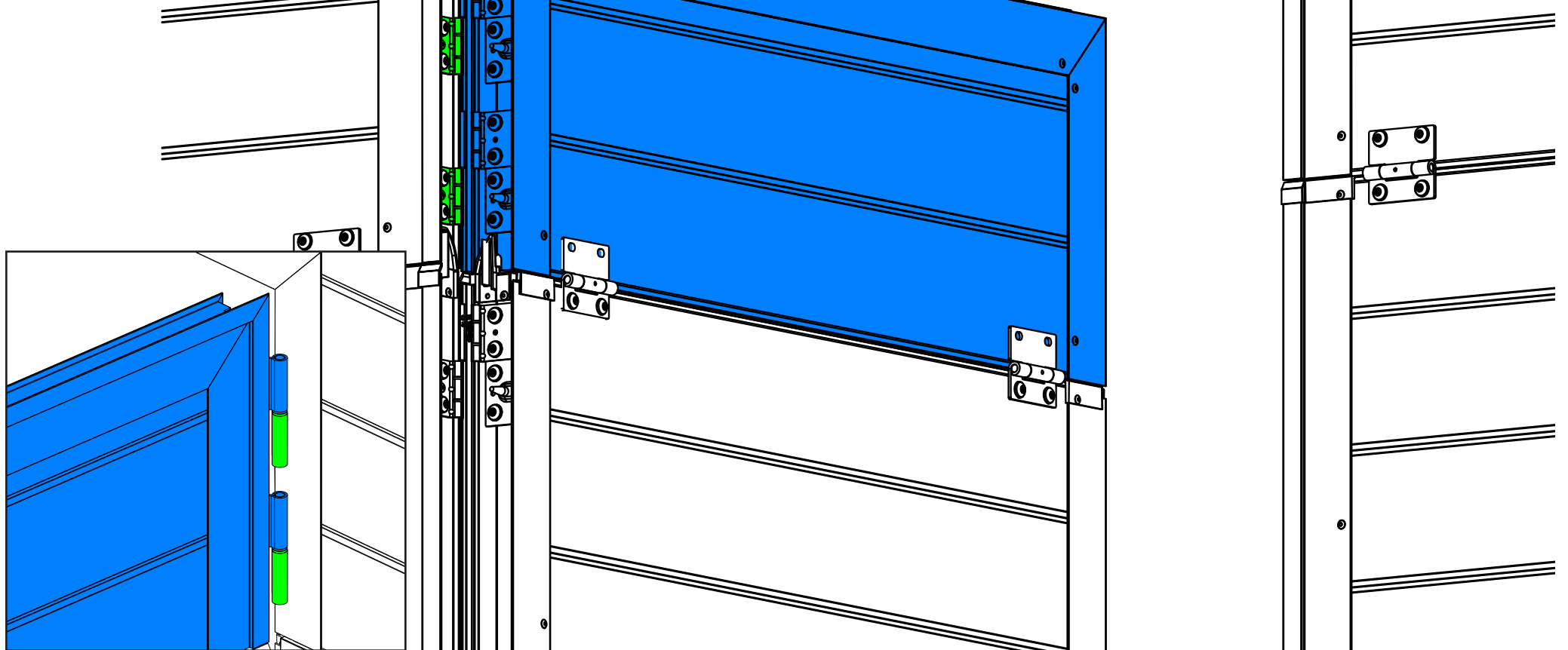


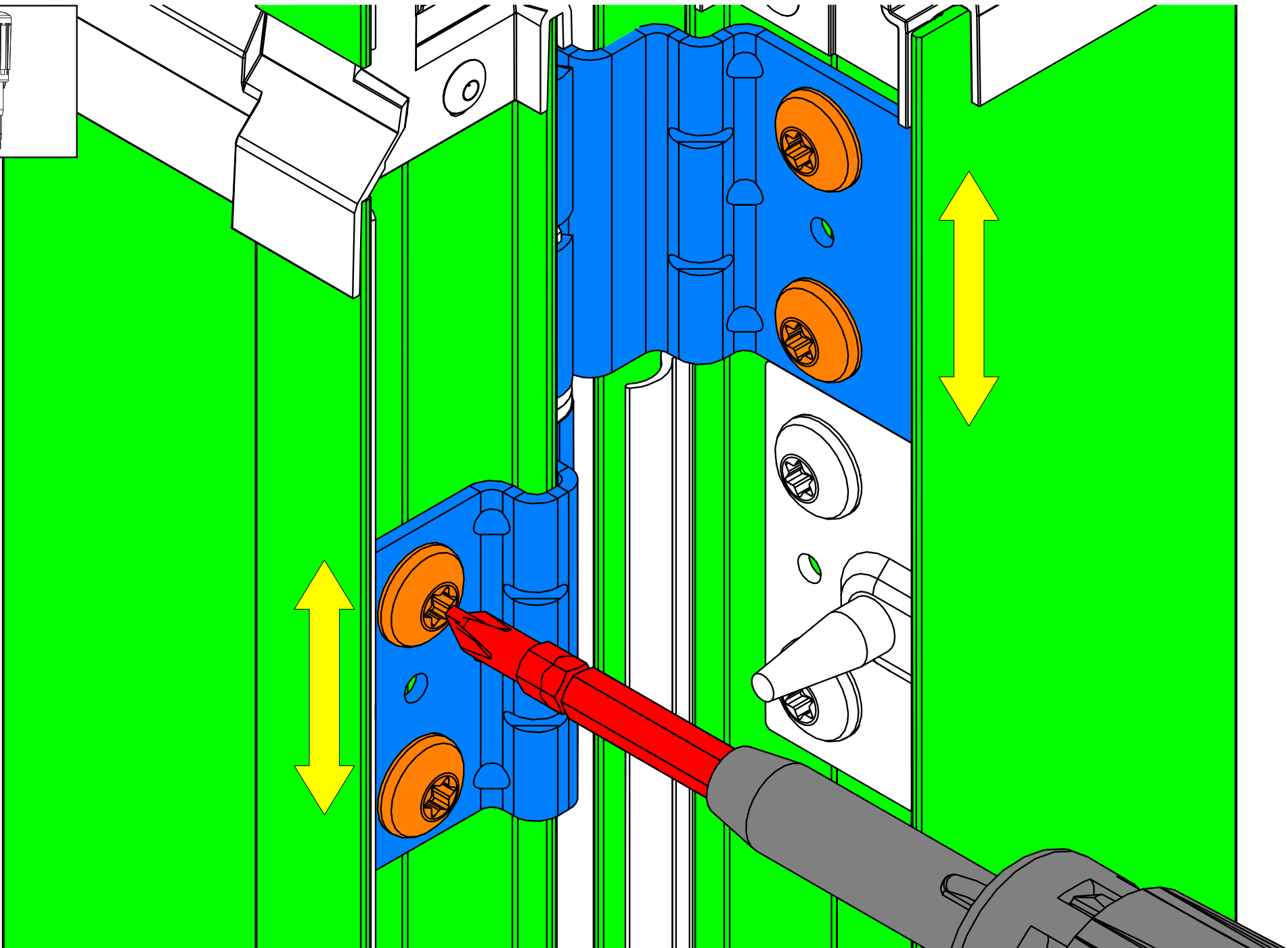
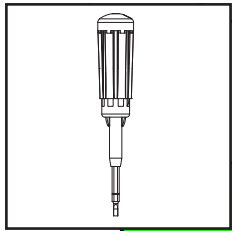
* For hinge fine tuning see page 73

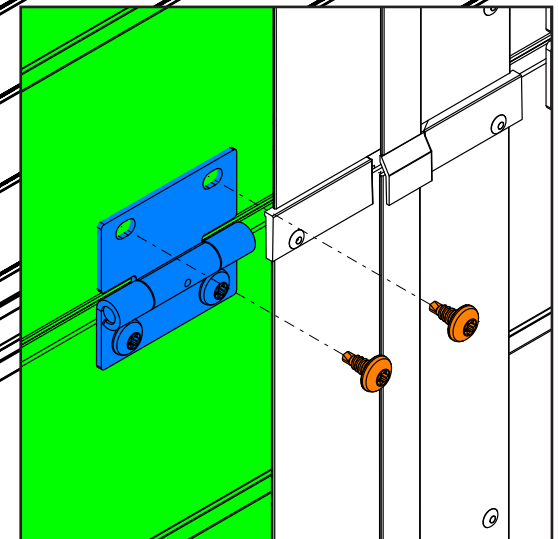
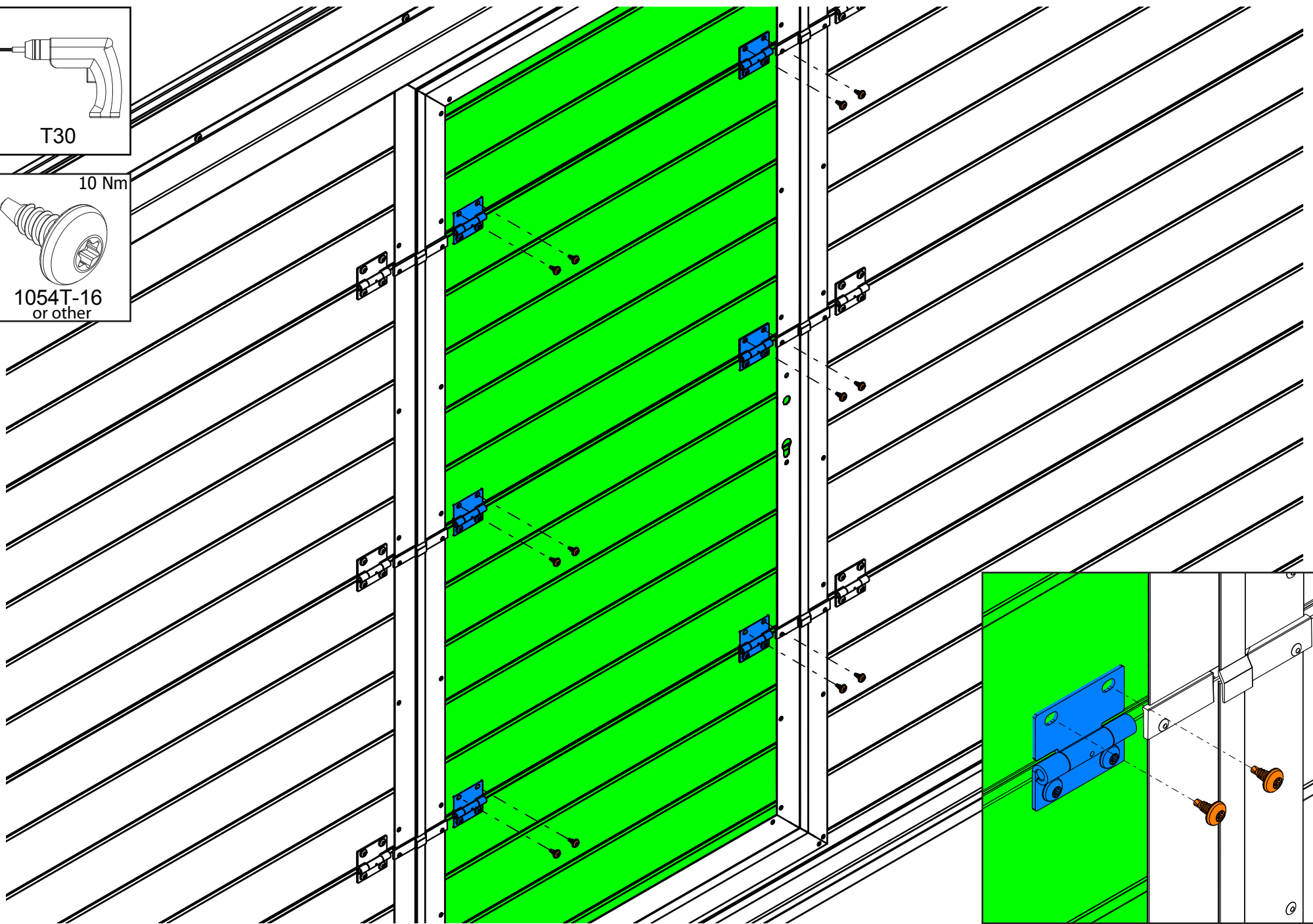
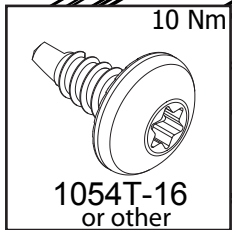
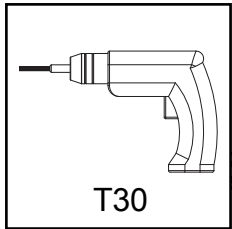




* For hinge fine tuning see page 73







FF Installation manual

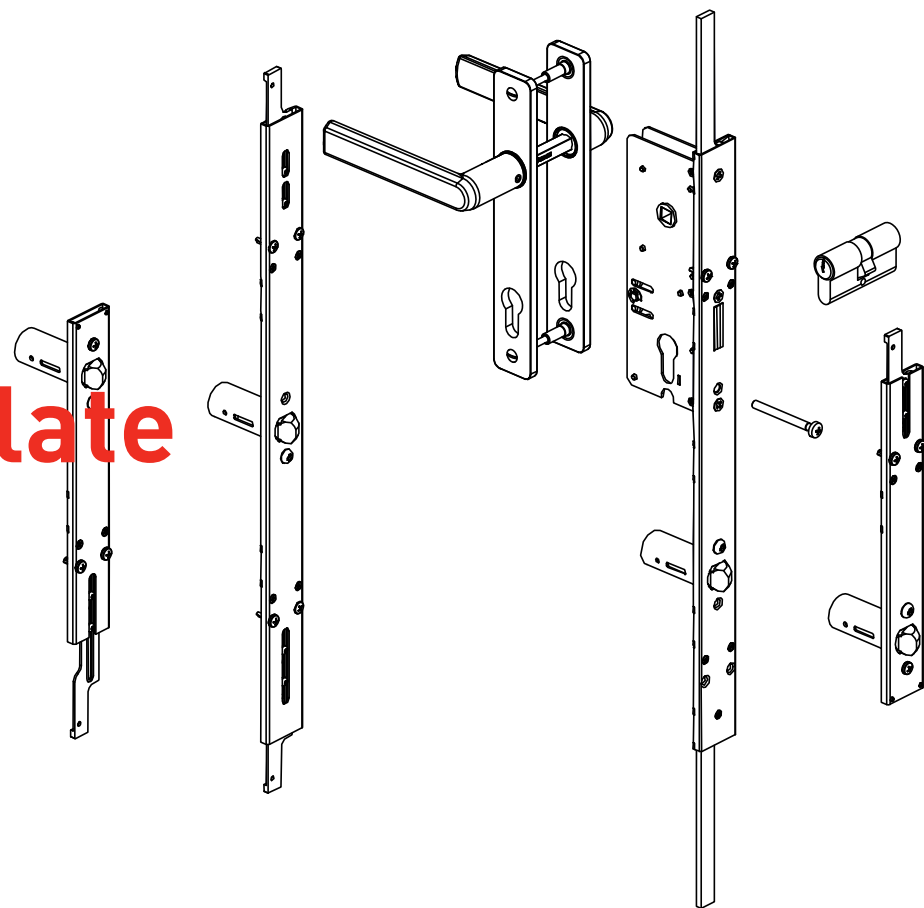
Multi Point Lock

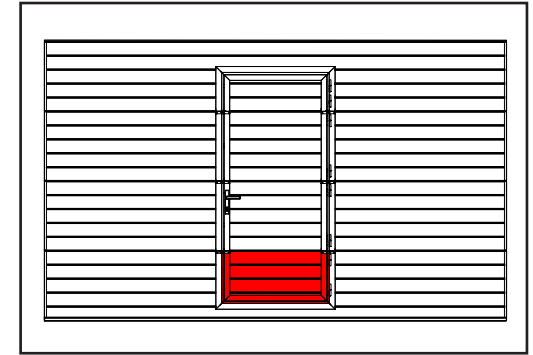
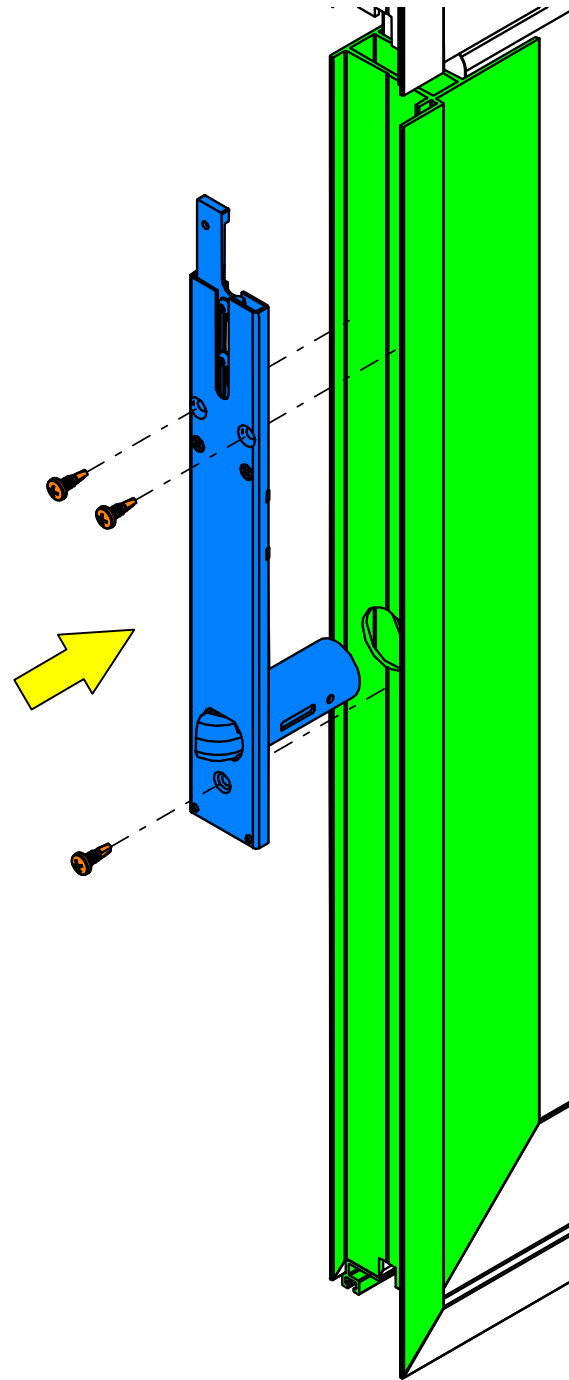
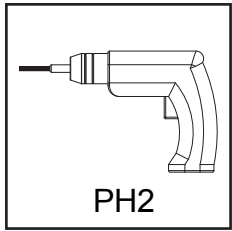
assembly instructions

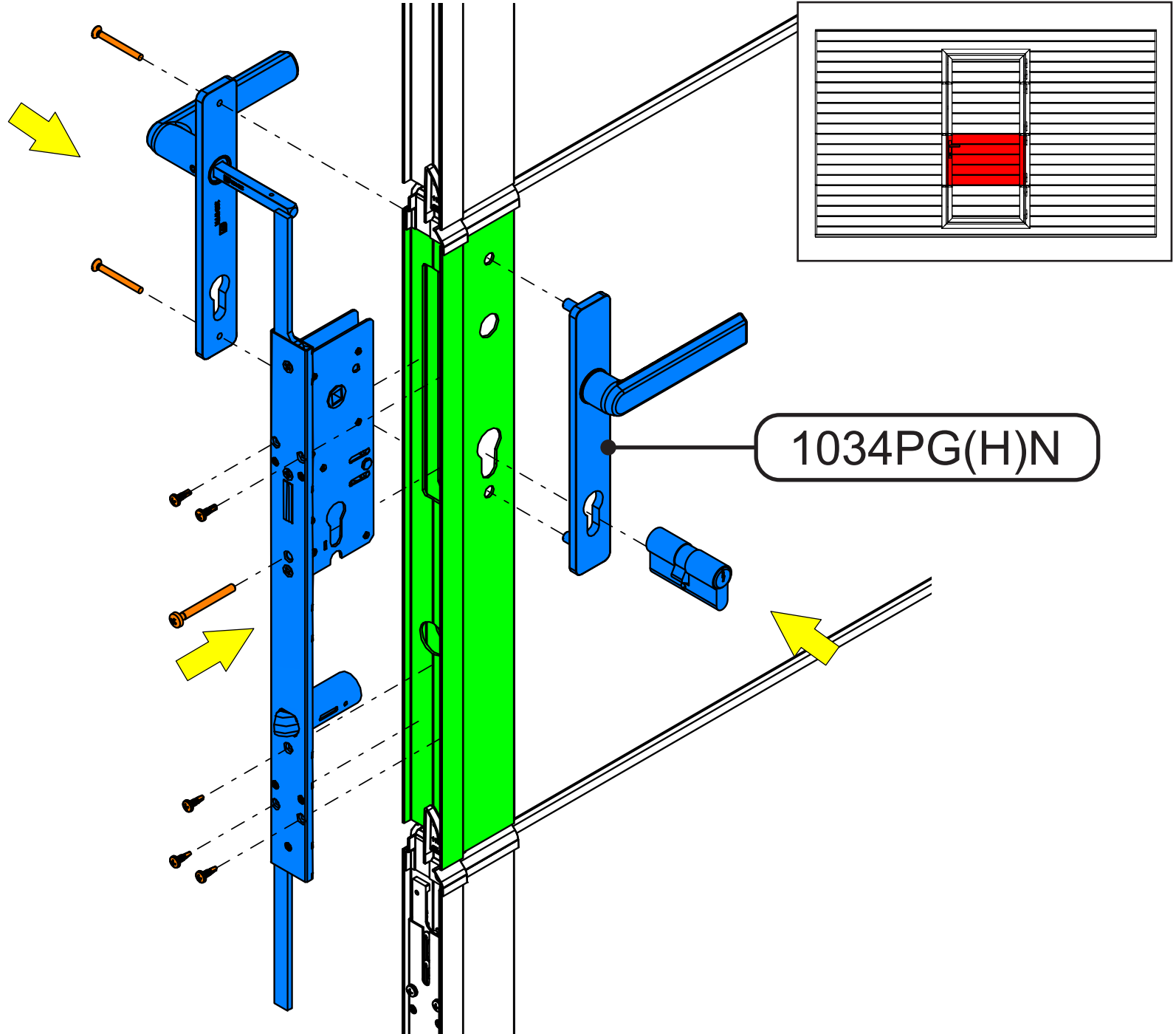
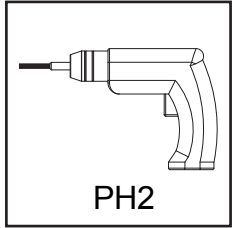
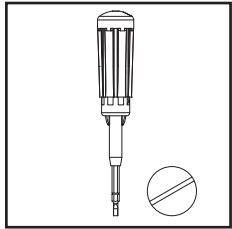
1034MPL Lock

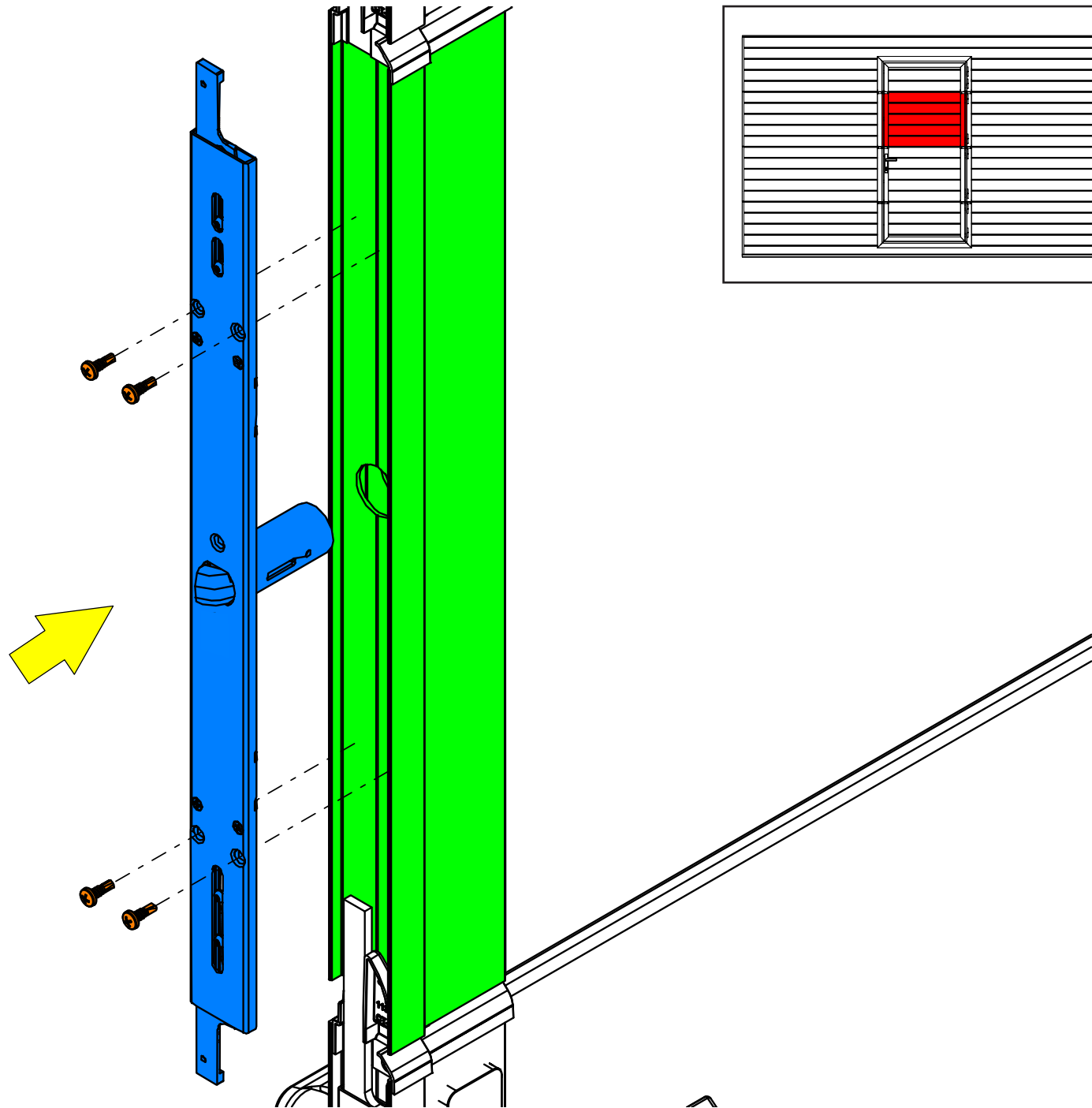
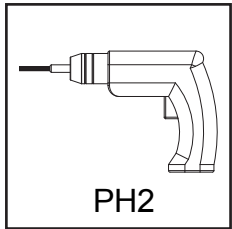
1034PG(H)N Handle

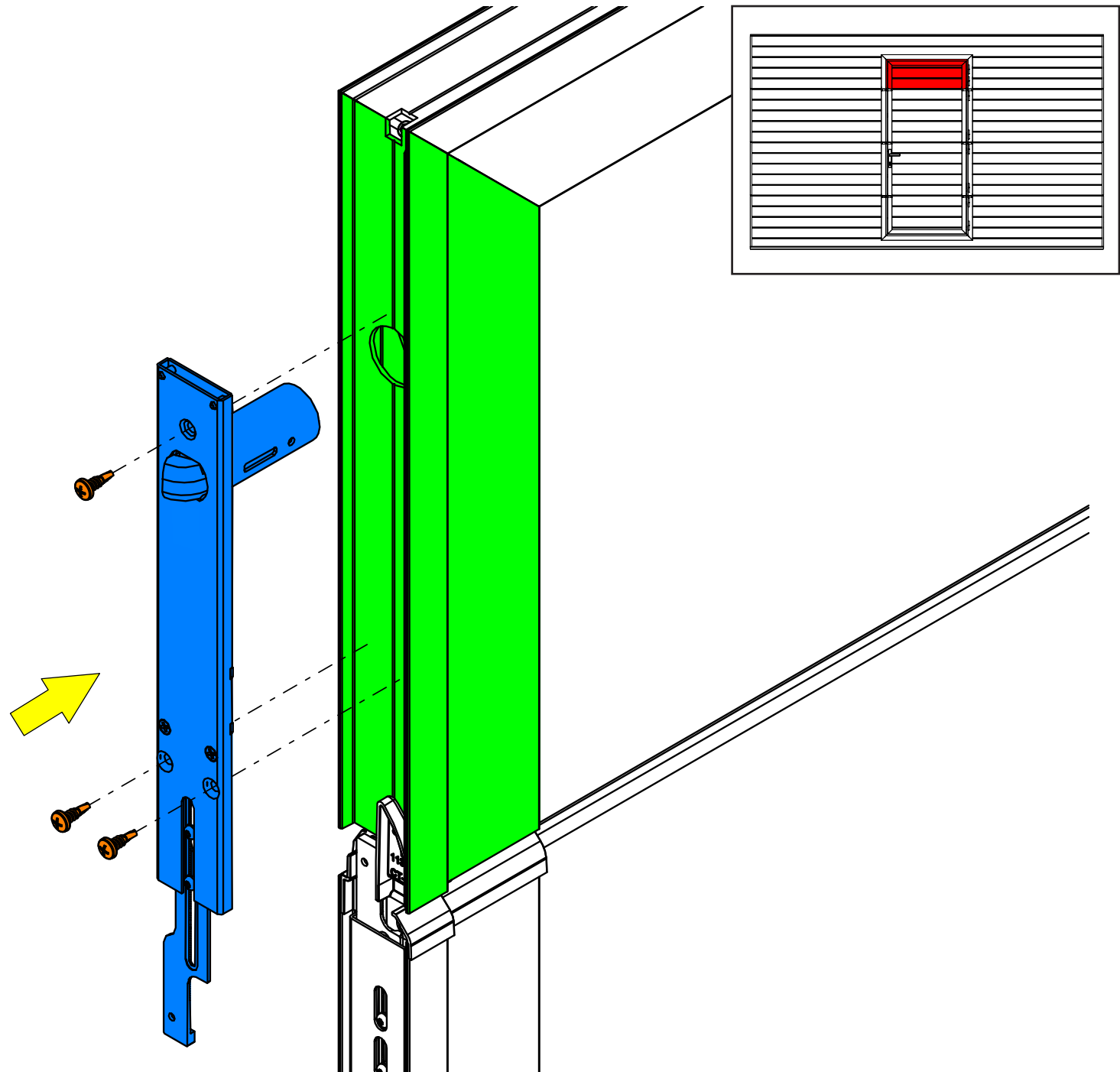
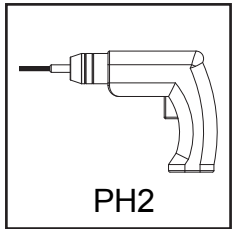
1034MPL-LP Lock plate

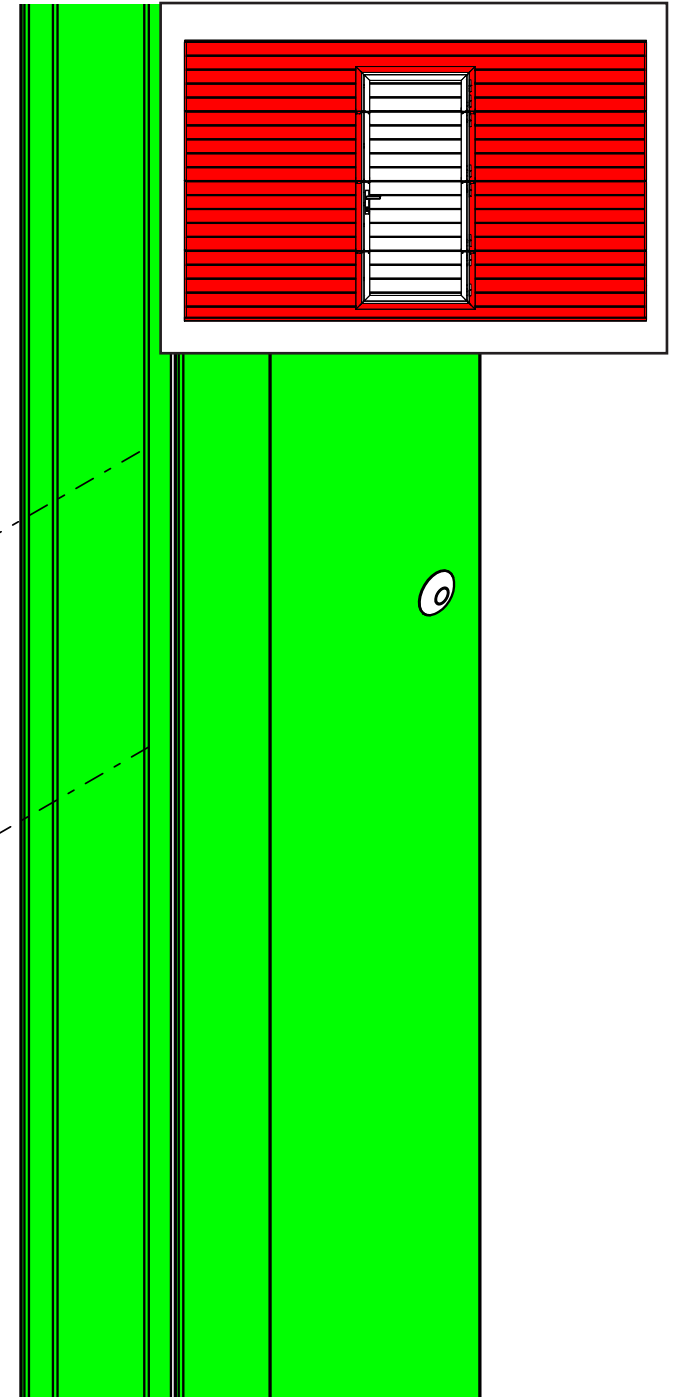
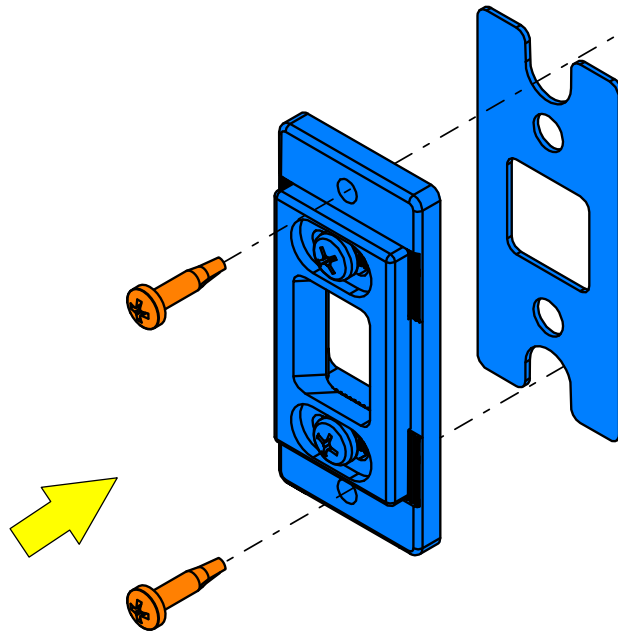
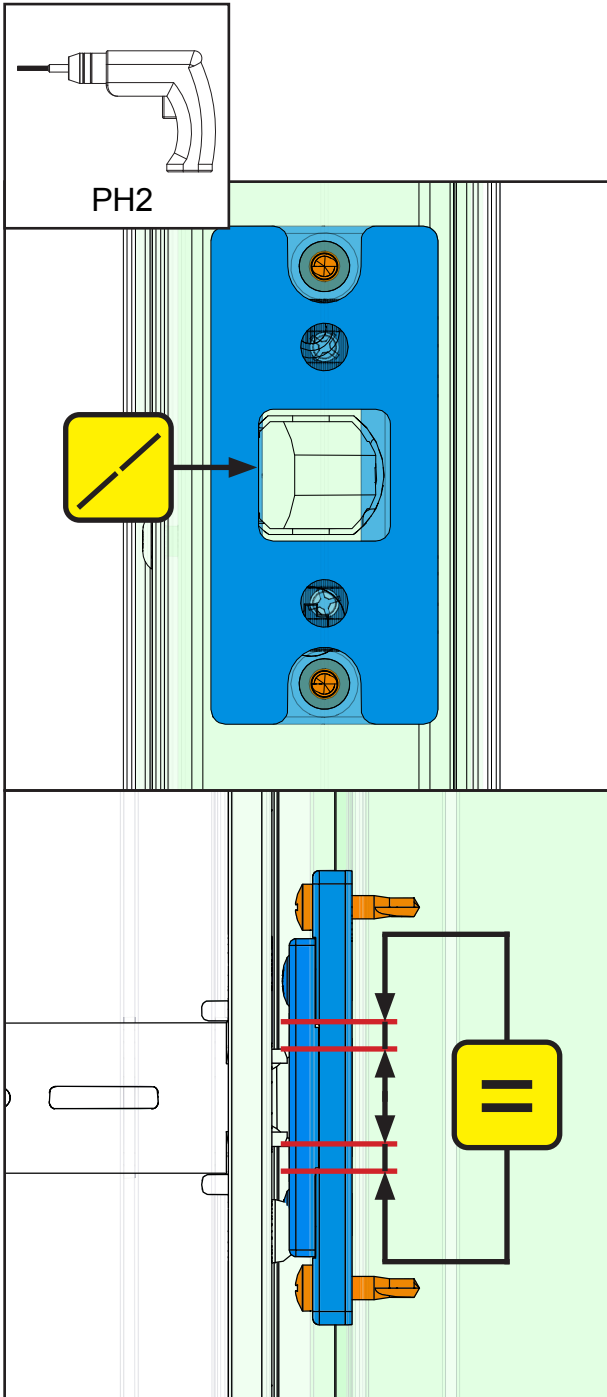


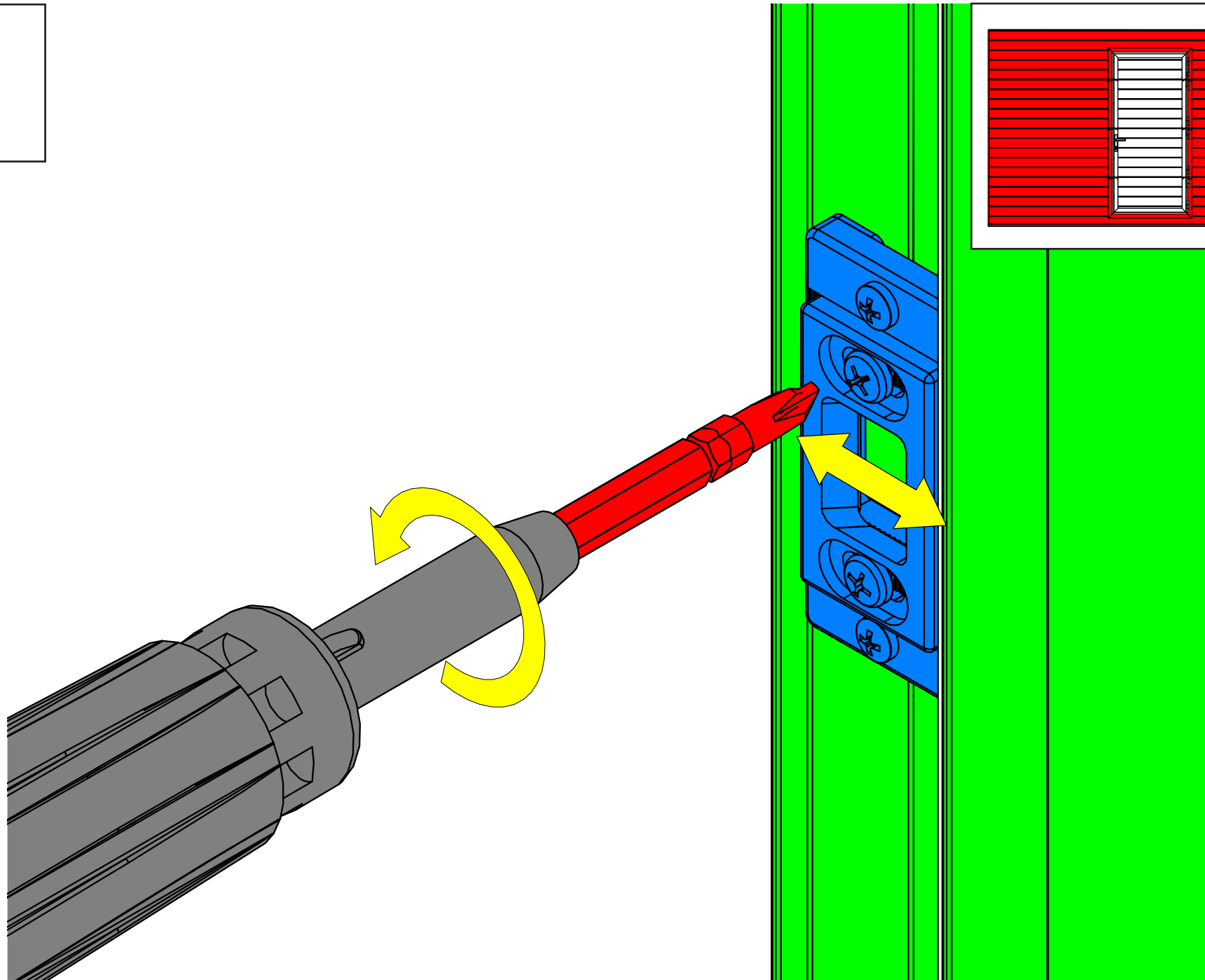
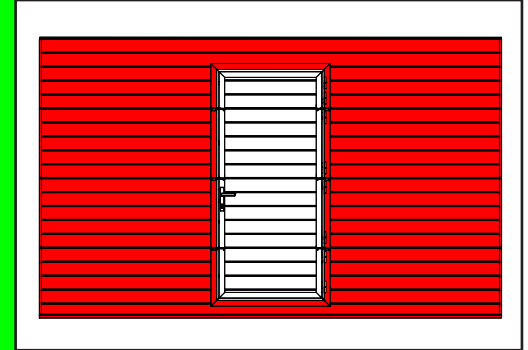
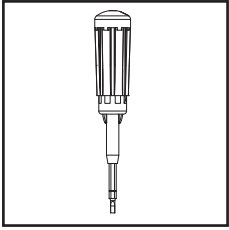


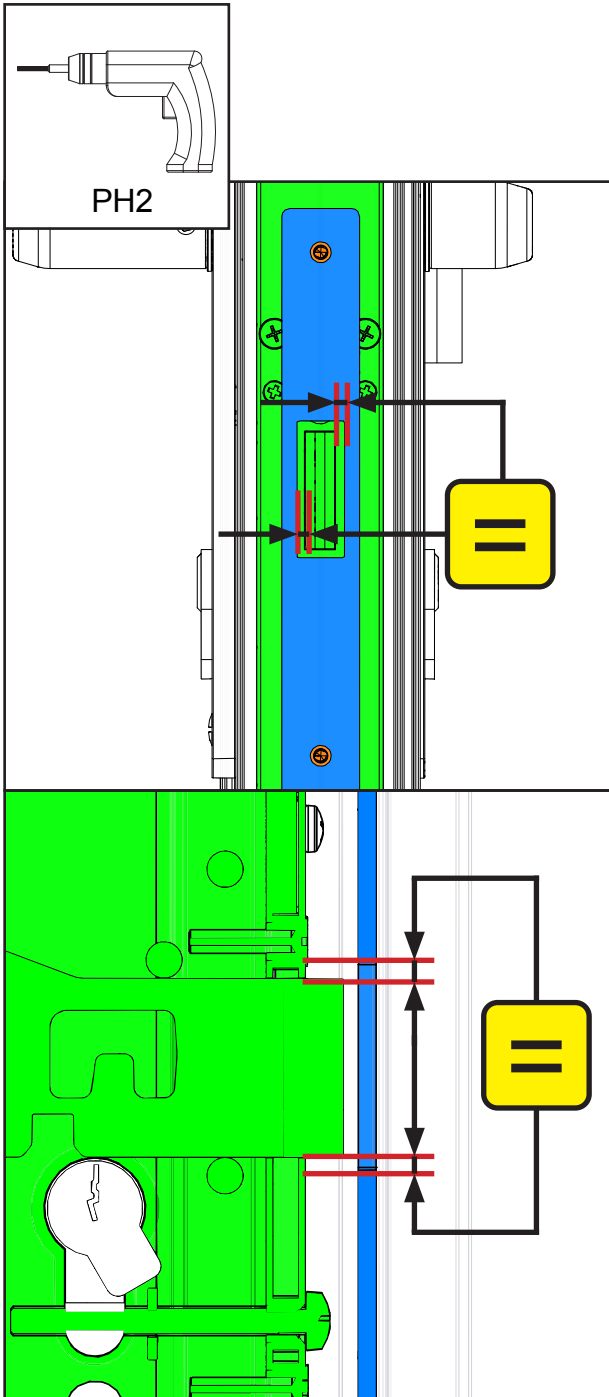




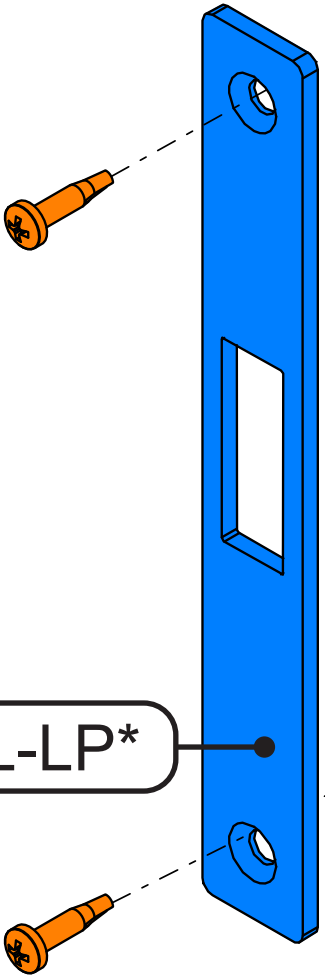








1034MPL-LP*



*ordered separately